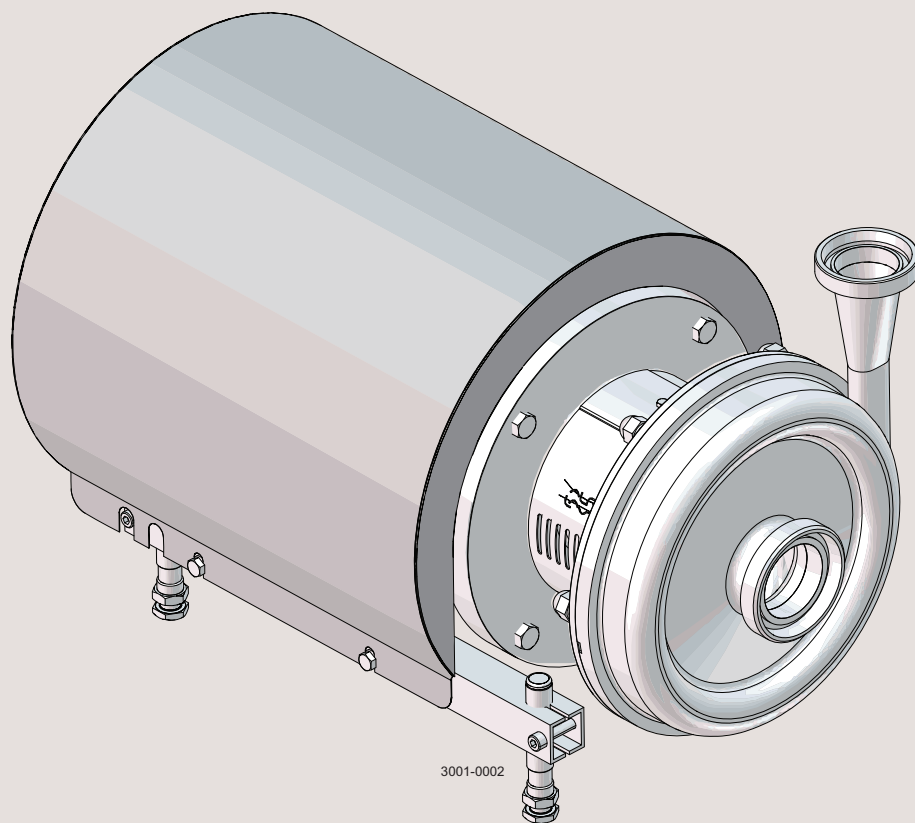




## Spare Parts

### LKHex Centrifugal Pump



ESE00720-EN14 2018-05

Original manual

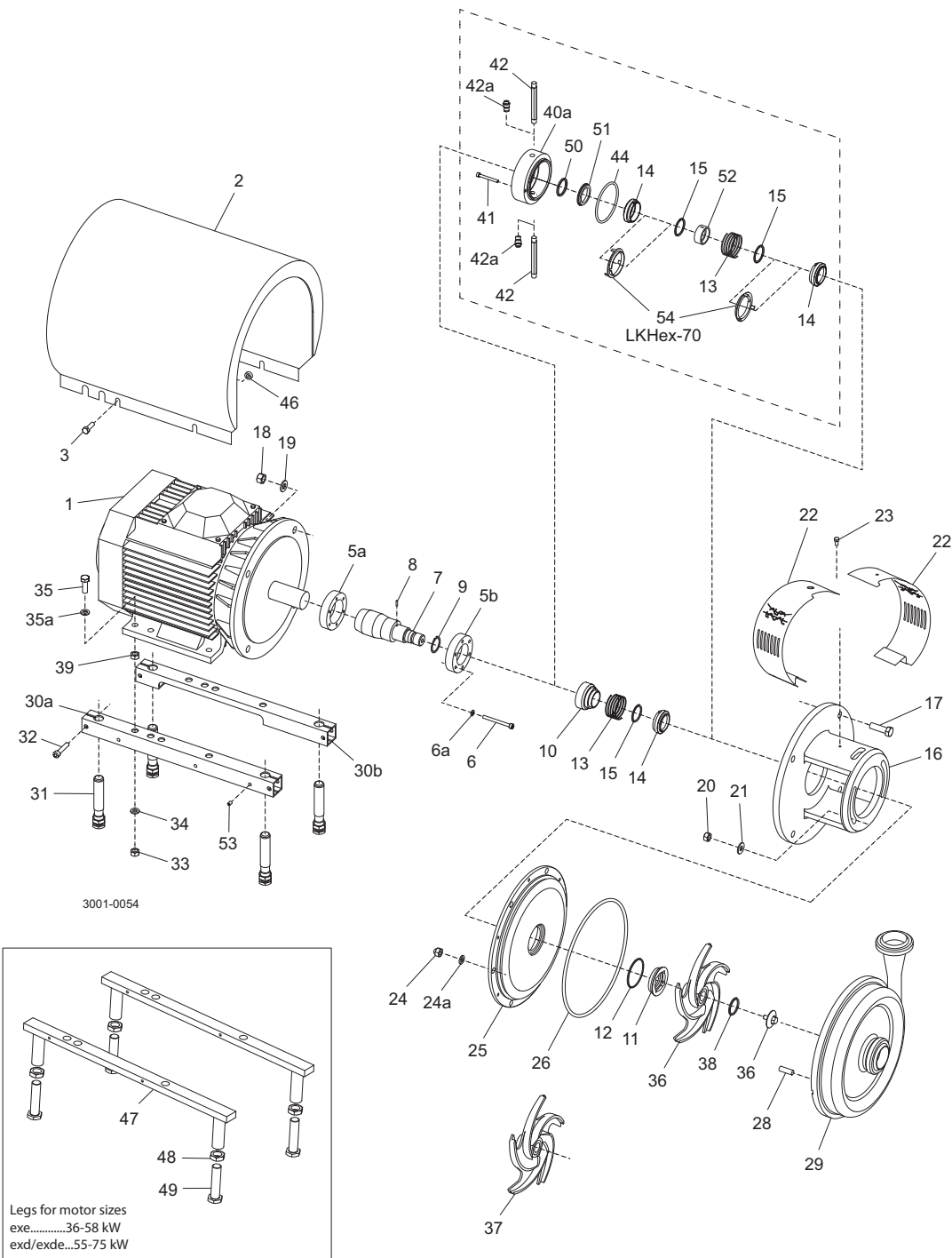


## Table of contents

---

*The information herein is correct at the time of issue but may be subject to change without prior notice*

1. LKHex - Wet end (LKH-10 -70) .....	4
2. LKHex - Motor dependent parts (LKH-10 -70) .....	8
3. LKHex - Shaft seal .....	16

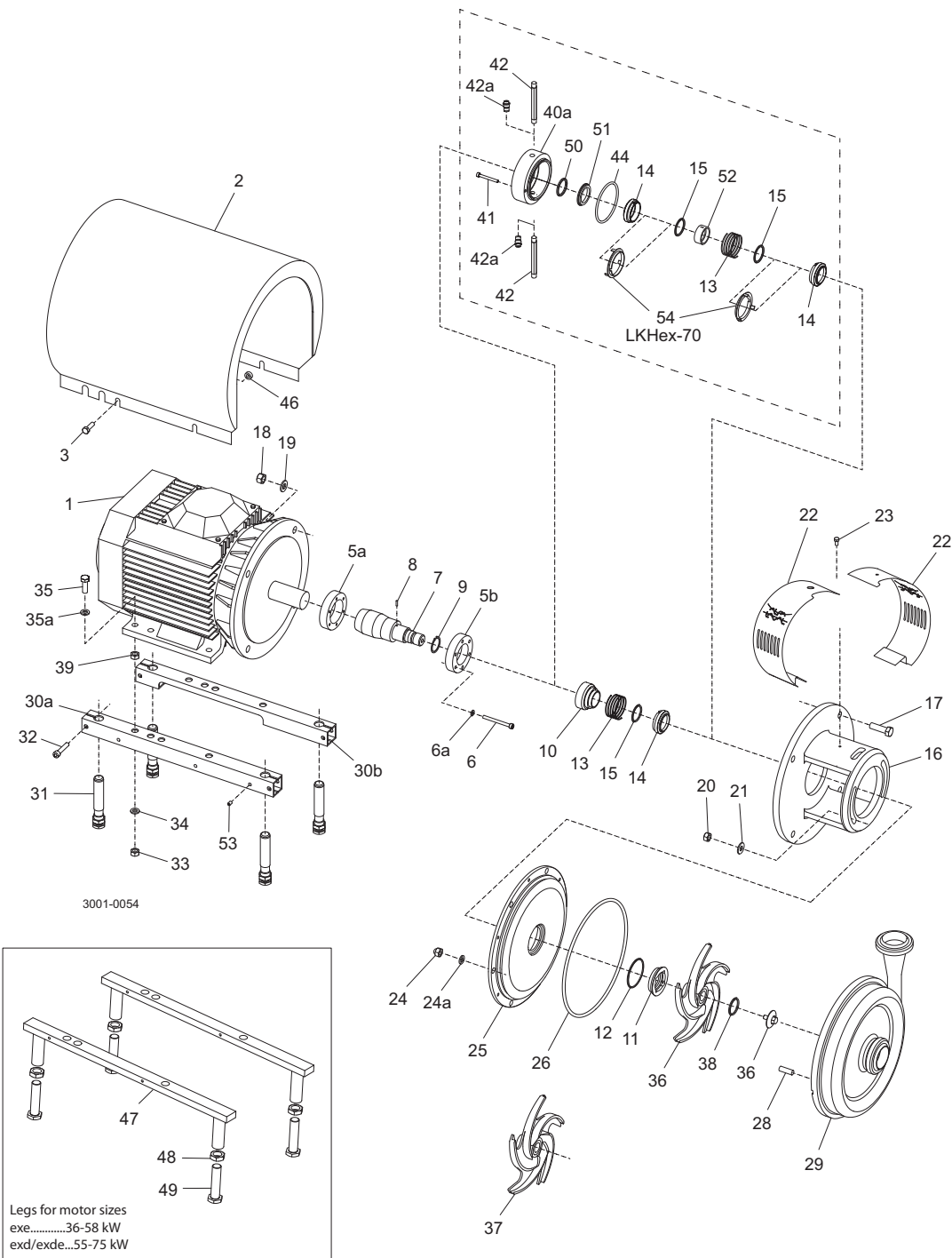


Pos	Qty	Denomination	Exe Exd/Exde	LKH-10	LKH-15	LKH-20	LKH-25	LKH-35
				IEC90-IEC132	IEC112-IEC132	IEC90-IEC180	IEC132-IEC180	IEC132-IEC180
				IEC90-IEC112	IEC100-IEC132	IEC90-IEC132	IEC112-IEC160	IEC112-IEC160
<b>Pump Casing std. blasted</b>								
29	1	Casing, IDF .....		9612139801	9612492401	9612139806	9612492406	9612492411
	1	Casing, SMS .....		9612139802	9612492402	9612139807	9612492407	9612492412
	1	Casing, DIN/ISO .....		9612139803	9612492403	9612139808	9612492408	9612492413
	1	Casing, ISO .....		9612139804	9612492404	9612139809	9612492409	9612492414
	1	Casing, BS .....		9612139805	9612492405	9612139810	9612492410	9612492415
	1	Casing, DS .....		9612139826	9612492421	9612139828	9612492422	9612492423
	1	Casing, DIN/DIN .....		9612139827	9614057802	9612139829	9614057803	9614057804
	1	Casing, Flange DN65/50 ...		9612138001		9612138002		9612138010
	1	Casing, Flange DN80/65 ...					9612138009	
	1	Casing, Flange DN100/80 ..			9612138008			

Pos	Qty	Denomination	Exe Exd/Exde	LKH-40	LKH-45	LKH-50	LKH-60	LKH-70
				IEC160-IEC200	IEC132-IEC180	IEC132-IEC200	IEC132-IEC200	IEC160-IEC280
				IEC132-IEC180	IEC112-IEC160	IEC132-IEC180	IEC132-IEC200	IEC160-IEC250
<b>Pump casing std. blasted</b>								
29	1	Casing, IDF .....		9612139816	9612492416	9612139821	9612355401	9612514701
	1	Casing, SMS .....		9612139817	9612492417	9612139822	9612355402	9612514702
	1	Casing, DIN/ISO .....		9612139818	9612492418	9612139823	9612355403	9612514703
	1	Casing, ISO .....		9612139819	9612492419	9612139824	9612355404	9612514704
	1	Casing, BS .....		9612139820	9612492420	9612139825	9612355405	9612514705
	1	Casing, DS .....		9612139830	9612492424	9614057832	9612355406	9612514711
	1	Casing, DIN/DIN .....		9612139831	9614057805	9612139833	9612355419	9612514732
	1	Casing, DN150/100 .....					9612355407	9612568202
	1	Casing, 152.4/101.6 CL ....					9612355408	9612568201
	1	Casing, DN150/100 CL DIN/DIN .....						9612568206
	1	Casing, Flange DN80/65 ...		9612138004				
	1	Casing, Flange DN100/80 ..			9612138011	9612138005		9612138012
	1	Casing, Flange DN100/100 .					9612138006	
	1	Casing, Flange DN150/100 .					9612138007	

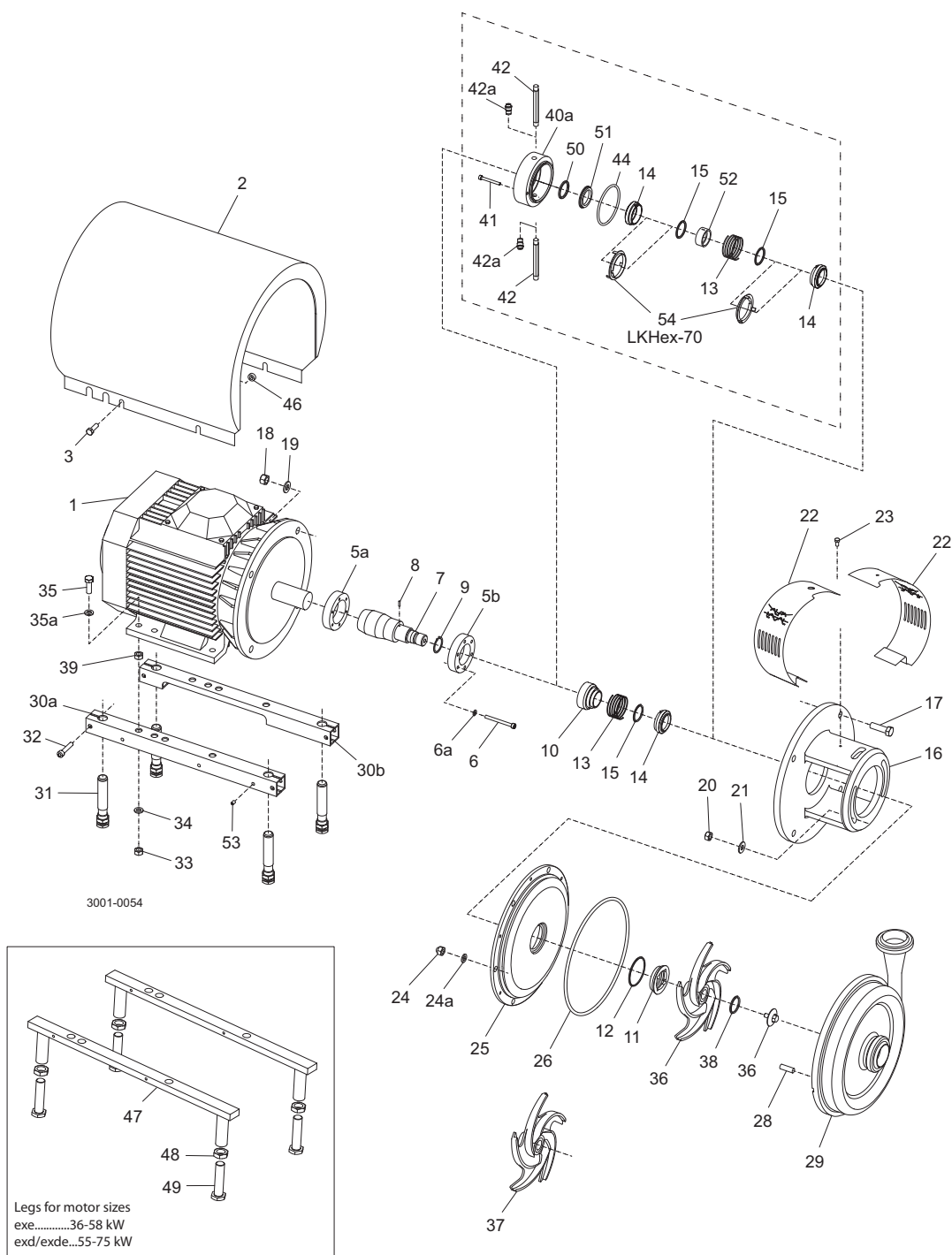
Pos	Qty	Denomination	Exe Exd/Exde	LKH-10	LKH-15	LKH-20	LKH-25	LKH-35
				IEC90-IEC132	IEC112-IEC132	IEC90-IEC180	IEC132-IEC180	IEC132-IEC180
				IEC90-IEC112	IEC100-IEC132	IEC90-IEC132	IEC112-IEC160	IEC112-IEC160
<b>Pump casing Mech Ra ≤ 0.8</b>								
29	1	Casing, IDF .....		9612457201	9612492501	9612457206	9612492506	9612492511
	1	Casing, SMS .....		9612457202	9612492502	9612457207	9612492507	9612492512
	1	Casing, DIN/ISO .....		9612457203	9612492503	9612457208	9612492508	9612492513
	1	Casing, ISO .....		9612457204	9612492504	9612457209	9612492509	9612492514
	1	Casing, BS .....		9612457205	9612492505	9612457210	9612492510	9612492515
	1	Casing, DS .....		9612457226	9612492521	9612457228	9612492522	9612492523
	1	Casing, DIN/DIN .....		9612457227	9614057807	9612457229	9614057808	9614057809

Pos	Qty	Denomination	Exe Exd/Exde	LKH-40	LKH-45	LKH-50	LKH-60	LKH-70
				IEC160-IEC200	IEC132-IEC180	IEC132-IEC200	IEC132-IEC200	IEC160-IEC280
				IEC132-IEC180	IEC112-IEC160	IEC132-IEC180	IEC132-IEC200	IEC160-IEC250
<b>Pump casing Mech Ra ≤ 0.8</b>								
29	1	Casing, IDF .....		9612457216	9612492516	9612457221	9612355409	9612514706
	1	Casing, SMS .....		9612457217	9612492517	9612457222	9612355410	9612514707
	1	Casing, DIN/ISO .....		9612457218	9612492518	9612457223	9612355411	9612514708
	1	Casing, ISO .....		9612457219	9612492519	9612457224	9612355412	9612514709
	1	Casing, BS .....		9612457220	9612492520	9612457225	9612355413	9612514710
	1	Casing, DS .....		9612457230	9612492524	9612457232	9612355414	9612514712
	1	Casing, DIN/DIN .....		9612457231	9614057810	9612457233	9612355420	9612514733
	1	Casing, DN150/100 .....					9612355415	9612568208
	1	Casing, 152.4/101.6 CL ....					9612355416	9612568207
	1	Casing, DN150/100 CL DIN/DIN .....						9612568209



Pos	Qty	Denomination	Exe Exd/Exde	LKH-10	LKH-15	LKH-20	LKH-25	LKH-35
				IEC90-IEC132	IEC112-IEC132	IEC90-IEC180	IEC132-IEC180	IEC132-IEC180
				IEC90-IEC112	IEC100-IEC132	IEC90-IEC132	IEC112-IEC160	IEC112-IEC160
24	6	Cap nut .....		9611992592	9611992592	9611992592	9611992593	9611992593
24a	6	Washer .....		9611991888	9611991888	9611991888	9611991887	9611991887
28	6	Bolt .....		9611992168	9611992168	9611992168	9611992169	9611992169
26	1	O-ring, EPDM .....		9611992137	9611992137	9611992141	9611992983	9611992983
	1	O-ring, NBR .....		9611992139	9611992139	9611992143	9611992984	9611992984
	1	O-ring, FPM .....		9611992138	9611992138	9611992142	9611992985	9611992985
	1	O-ring, FEP .....		9611992140	9611992140	9611992144	9611992986	9611992986
27	1	Impeller, std. blasted .....		9612131201	9612431401	9612131401	9612425201	9612434101
	1	Impeller, Mech Ra ≤ 0.8 .....		9612131205	9612431405	9612131405	9612425205	9612434105
37	1	Impeller for impeller screw, std. blasted Ra ≤ 1.6 .....		9612131202	9612431402	9612131402	9612425202	9612434102
	1	Impeller for impeller, Mech Ra ≤ 0.8 .....		9612131206	9612431406	9612131406	9612425206	9612434106
36	1	Impeller screw, std. blasted Ra ≤ 1.6 .....		9612139601	9612139601	9612139601	9612139601	9612139601
	1	Impeller screw, Mech Ra ≤ 0.8 .....		9612139603	9612139603	9612139603	9612139603	9612139603
38	1	O-ring, EPDM .....		9611992145	9611992145	9611992145	9611992145	9611992145
	1	O-ring, NBR .....		9611992147	9611992147	9611992147	9611992147	9611992147
	1	O-ring, FPM .....		9611992146	9611992146	9611992146	9611992146	9611992146
	1	O-ring, FEP .....		9611992148	9611992148	9611992148	9611992148	9611992148
25	1	Back plate, std. blasted .....		9612138404	9612138404	9612138405	9612138423	9612138423
	1	Back plate, Mech Ra ≤ 0.8 .....		9612138420	9612138420	9612138421	9612138424	9612138424
20	2	Nut .....		9611990353	9611990353	9611990353	9611990353	9611990353
21	2	Washer .....		9611992559	9611992559	9611992559	9611992559	9611992559

Pos	Qty	Denomination	Exe Exd/Exde	LKH-40	LKH-45	LKH-50	LKH-60	LKH-70
				IEC160-IEC200	IEC132-IEC180	IEC132-IEC200	IEC132-IEC200	IEC160-IEC280
				IEC132-IEC180	IEC112-IEC160	IEC132-IEC180	IEC132-IEC200	IEC160-IEC250
24	6	Cap nut .....		9611992593	9611992593	9611992593	9611992593	
24a	6	Washer .....		9611991887	9611991887	9611991887	9611991887	
28	6	Bolt .....		9611992169	9611992169	9611992169	9611992169	
24	8	Cap nut .....						9611992593
24a	8	Washer .....						9611991887
28	8	Bolt .....						9611992169
26	1	O-ring, EPDM .....		9611992171	9611992983	9611992171	9611992171	9611993211
	1	O-ring, NBR .....		9611992173	9611992984	9611992173	9611992173	9611993212
	1	O-ring, FPM .....		9611992172	9611992985	9611992172	9611992172	9611993213
	1	O-ring, FEP .....		9611992174	9611992986	9611992174	9611992174	9611993214
27	1	Impeller, std. blasted .....		9612131801	9612363001	9612132001	9612128301	
	1	Impeller, Mech Ra ≤ 0.8 .....		9612131805	9612363005	9612132005	9612128305	
37	1	Impeller for impeller screw, std. blasted Ra ≤ 1.6 .....		9612131802	9612363002	9612132002	9612128302	9612499401
	1	Impeller for impeller, Mech Ra ≤ 0.8 .....		9612131806	9612363006	9612132006	9612128306	9612499403
36	1	Impeller screw, std. blasted Ra ≤ 1.6 .....		9612139601	9612139601	9612139601	9612139601	9612927101
	1	Impeller screw, Mech Ra ≤ 0.8 .....		9612139603	9612139603	9612139603	9612139603	9612927102
38	1	O-ring, EPDM .....		9611992145	9611992145	9611992145	9611992145	9611993215
	1	O-ring, NBR .....		9611992147	9611992147	9611992147	9611992147	9611993216
	1	O-ring, FPM .....		9611992146	9611992146	9611992146	9611992146	9611993217
	1	O-ring, FEP .....		9611992148	9611992148	9611992148	9611992148	9611993218
25	1	Back plate, std. blasted .....		9612138406	9612138423	9612138406	9612138406	9612514601
	1	Back plate, Mech Ra ≤ 0.8 .....		9612138422	9612138424	9612138422	9612138422	9612514607
20	2	Nut .....		9611990353	9611990353	9611990353	9611990353	
21	2	Washer .....		9611992559	9611992559	9611992559	9611992559	
20	4	Nut .....						9611990353
21	4	Washer .....						9611992559





LKHex - Motor dependent parts (LKH-10 -70)

Pos	Qty	Denomination	Frame size	LKHex 10-60 IEC90	LKHex 10-60 IEC100	LKHex 10-60 IEC112	LKHex 10-60 IEC132
<b>Motor dependent parts for WEG motors, LKHex 10 - 60</b>							
5a	1	Compression ring, with thread .....		9612133601	9612133602	9612133602	9612133605
5b	1	Compression ring, without thread .....		9612133701	9612133702	9612133702	9612133705
6	6	Screw .....		9611993196	9611993196	9611993196	9611993197
6a	6	Washer .....		9611993199	9611993199	9611993199	9611993199
7	1	Shaft incl. pin, (pos.8) .....			9612132502	9612132502	9612132602
		Shaft incl. pin and retaining, (pos.8+9) .....		9612132402			
8	1	Connex pin .....		9611990622	9611990622	9611990622	9611990622
9	1	Retaining ring .....		9611992307			
2	1	Shroud, Exe .....		9614192701	9614192801	9614191601	9614191701
	1	Shroud, Exd / Exde .....		9614192701	9614192801	9614193001	9614193101
3	4	Screw .....		9611993240	9611993240	9611993240	9611993240
16	1	Adaptor .....		9612342301	9612342401	9612342401	9612342501
17	4	Screw for adaptor .....		9611992161	9611991834	9611991834	9611992162
18	4	Nut for adaptor .....		9611990353	9611990587	9611990587	9611990587
19	4	Washer for adaptor .....		9611991887	9611990676	9611990676	9611990676
22	1	Safety guard set .....		9614077401	9614077402	9614077402	9614077403
23	1	Screw for safety guard .....		9611993239	9611993239	9611993239	9611993239
30a	1	Support bar, right .....		9612132201	9612132205	9612132205	9612132206
30b	1	Support bar, left .....		9612132301	9612132305	9612132305	9612132306
31	4	Leg .....		9612396701	9612396701	9612396701	9612396701
32	4	Screw .....		9611991126	9611991126	9611991126	9611991126
33	4	Nut .....		9611990360	9611990353	9611990353	9611990353
34	4	Spring washer .....		9611991888	9611991887	9611991887	9611991887
35	4	Screw .....		9611993241	9611991911	9611991911	9611991374
35a	4	Washer .....			9611990786	9611990786	9611990786
39	4	Spacer for leg .....			9615309301		
46	4	Distance sleeve .....			9611992737		9611992737

Pos	Qty	Denomination	Frame size	LKHex 10-60 IEC160	LKHex 10-60 IEC180	LKHex 10-60 IEC200
<b>Motor dependent parts for WEG motors, LKHex 10 - 60</b>						
5a	1	Compression ring, with thread .....		9612133603	9612133604	9612133607
5b	1	Compression ring, without thread .....		9612133703	9612133704	9612133707
6	6	Screw .....		9611993198	9611993198	9611993198
6a	6	Washer .....		9611993199	9611993199	9611993199
7	1	Shaft incl. pin, (pos.8) .....		9612132702	9612132802	9612232902
8	1	Connex pin .....		9611990622	9611990622	9611990622
2	1	Shroud Exe .....		9614191801	9614191901	9615213301
	1	Shroud Exd / Exde .....		9614193201	9614193301	9615213301
3	4	Screw .....		9611993243	9611993243	9611993243
16	1	Adaptor .....		9612342601	9612342601	9612342701
17	4	Screw for adaptor .....		9611992163	9611992164	9611992164
18	4	Nut for adaptor .....		9611992160	9611992160	9611992160
19	4	Washer for adaptor .....		9611991886	9611991886	9611991886
22	1	Safety guard set .....		9614077404	9614077404	9614077404
23	1	Screw for safety guard .....		9611993239	9611993239	9611993239
30a	1	Support bar, right .....		9612132203	9612132204	9612342201
30b	1	Support bar, left .....		9612132303	9612132304	9612342201
31	4	Leg .....		9612396701	9612396701	9612396701
32	4	Screw .....		9611991126	9611991126	9611991907
33	4	Nut .....		9611990587	9611990587	9611990587
34	4	Spring washer .....		9611990676	9611990676	9611990676
35	4	Screw .....		9611991834	9611991834	9611993680
35a	4	Washer .....		9611990706	9611990706	9611990703
46	4	Distance sleeve .....		3143803903	3143803903	3143803903
53	4	Pivot screw .....				9611991763



LKHex - Motor dependent parts (LKH-10 -70)

Pos	Qty	Denomination	Frame size	LKHex 70 IEC160	LKHex 70 IEC180	LKHex 70 IEC200	LKHex 70 IEC250	LKHex 70 IEC280
<b>Motor dependent parts for WEG motors, LKHex 70</b>								
5a	1	Compression ring, with thread ...		9612133603	9612133604	9612133607	9612133608	9612133609
5b	1	Compression ring, without thread		9612133703	9612133704	9612133707	9612133708	9612133709
6	6	Screw .....		9611993198	9611993198	9611993198	9611993266	
6a	6	Washer .....		9611993199	9611993199	9611993199	9611993199	
	8	Screw .....						9611993266
	8	Washer .....						9611993199
7	1	Shaft incl. pin, (pos.8) .....		9612512603	9612512303	9612512203	9612501003	9613406501
2	1	Shroud Exe .....		9614191801	9614191901	9615213301	9614192101	9614192001
	1	Shroud Exd / Exde .....		9614193201	9614193301	9615213301	9614192101	
3	4	Screw .....		9611993243	9611993243	9611993243	9611993243	9611993243
16	1	Adaptor .....		9612511901	9612511901	9612511801	9612500801	9612500801
17	4	Screw for adaptor .....		9611992163	9611992164	9611992164	9611992200	9611992200
18	4	Nut for adaptor .....		9611992160	9611992160	9611992160	9611992160	9611992160
19	4	Washer for adaptor .....		9611991886	9611991886	9611991886	9611991886	9611991886
22	1	Safety guard set .....		9614077407	9614077407	9614077407	9614077408	9614077408
23	1	Screw for safety guard .....		9611993239	9611993239	9611993239	9611993239	9611993239
30a	1	Support bar, right .....		9612132203	9612132204	9612342201		
30b	1	Support bar, left .....		9612132303	9612132304	9612342201		
31	4	Leg .....		9612396701	9612396701	9612396701		
32	4	Screw .....		9611991126	9611991126	9611991907		
33	4	Nut .....		9611990587	9611990587		9611990935	9611990935
34	4	Spring washer .....		9611990676	9611990676	9611990676	9611993267	9611993267
35	4	Screw .....		9611991834	9611991834	9611993680	9611993268	9611993268
35a	4	Washer .....		9611990706	9611990706	9611990703	9611993269	9611993269
46	4	Distance sleeve .....		3143803903	3143803903	3143803903	3143803903	3143803903
47	2	Leg bracket .....					9612518401	9612518403
48	4	Nut for leg .....					9611993260	9611993260
49	4	Screw for leg .....					9612518501	9612518501
53	4	Pivot screw .....				9611991763		

**MOTOR**

Pos	Qty	Denomination	1.85 kW IEC90	2.5 kW IEC100	3.3 kW IEC112	4.6 kW IEC132	5.5 kW IEC132
1	1	Motor, WEG Exe 50Hz .....	9614193801	9614193802	9614193803	9614193804	9614193805
	1	Motor, WEG Exe 60Hz .....	9614193845	9614193846	9614193847	9614193848	9614193849

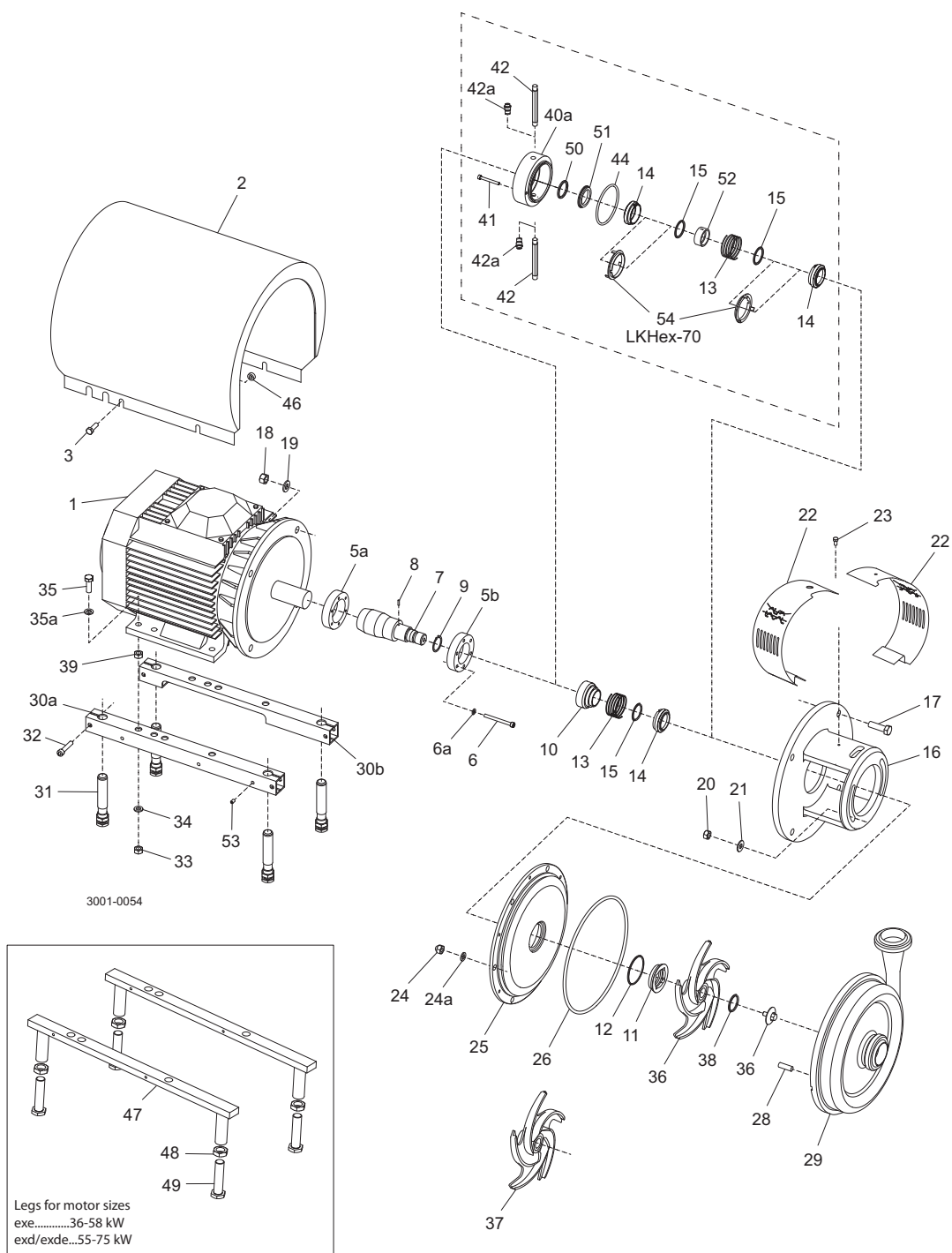
Pos	Qty	Denomination	7.5 kW IEC160	12.5 kW IEC160	15 kW IEC180	20 kW IEC200	24 kW IEC200
1	1	Motor, WEG Exe 50Hz .....	9614193806	9614193807	9614193808	9614193809	9614193810
	1	Motor, WEG Exe 60Hz .....	9614193850	9614193851	9614193852	9614193853	9614193854

Pos	Qty	Denomination	36 kW IEC250	47 kW IEC280	58 kW IEC280
1	1	Motor, WEG Exe 50Hz .....	9614193811	9614193812	9614193813
	1	Motor, WEG Exe 60Hz .....	9614193855	9614193856	9614193857

Pos	Qty	Denomination	1.5 kW IEC90	2.2 kW IEC90	3 kW IEC100	4 kW IEC112	5.5 kW IEC132
1	1	Motor, WEG Exd 50Hz/60Hz .....	9614193830	9614193831	9614193832	9614193833	9614193834
	1	Motor, WEG Exde 50Hz/60Hz .....	9614193815	9614193816	9614193817	9614193818	9614193819

Pos	Qty	Denomination	7.5 kW IEC132	11 kW IEC160	15 kW IEC160	18.5 kW IEC160	22 kW IEC180
1	1	Motor, WEG Exd 50Hz/60Hz .....	9614193835	9614193836	9614193837	9614193838	9614193839
	1	Motor, WEG Exde 50Hz/60Hz .....	9614193820	9614193821	9614193822	9614193823	9614193824

Pos	Qty	Denomination	30 kW IEC200	37 kW IEC200	55 kW IEC250	75 kW IEC250
1	1	Motor, WEG Exd 50Hz/60Hz .....	9614193840	9614193841	9614193843	9614193844
	1	Motor, WEG Exde 50Hz/60Hz .....	9614193825	9614193826	9614193828	9614193829

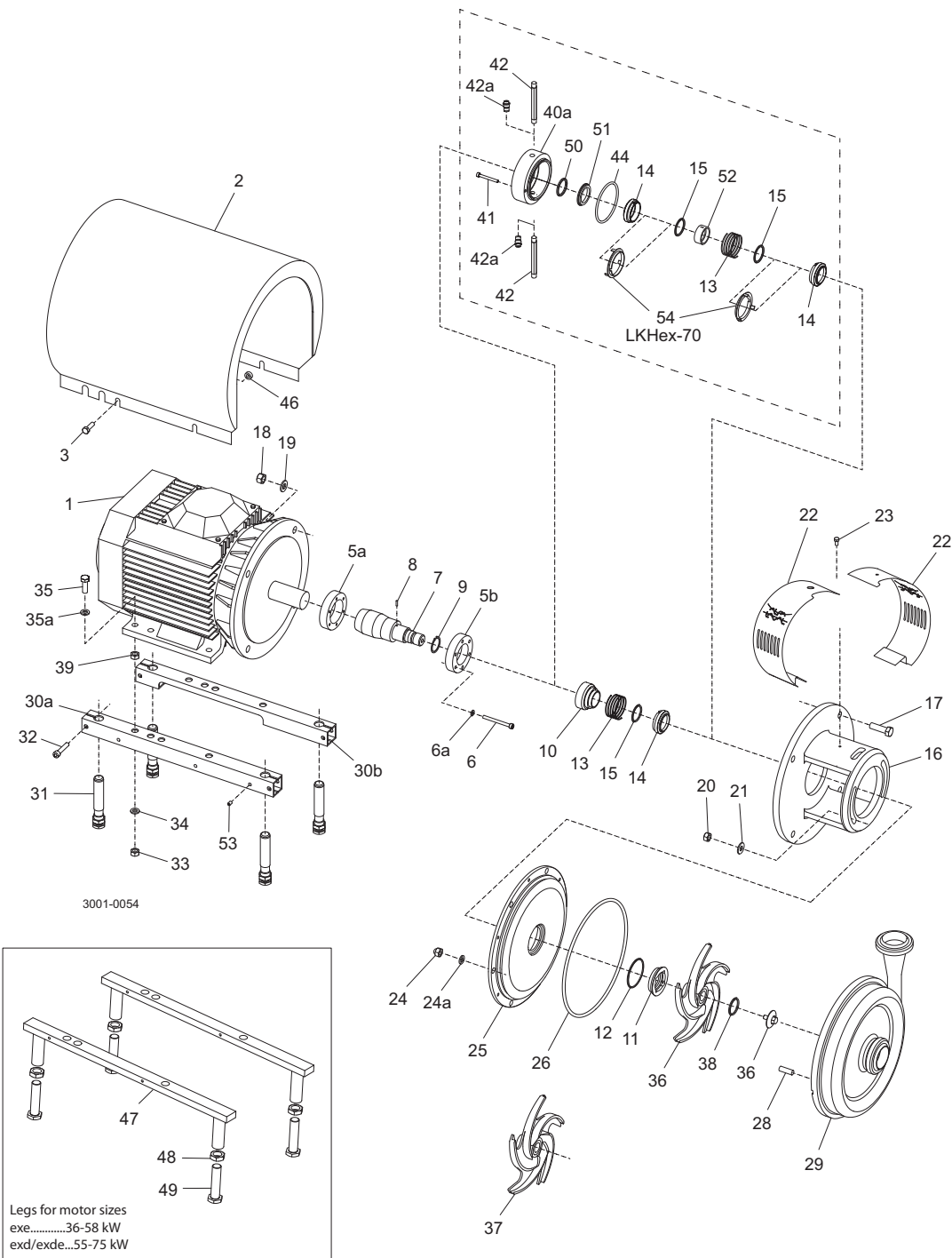


Motor dependent parts for other motors before october 2012

Pos	Qty	Denomination	Exe Exd/Exde	1.5-2.2 kW	3 kW	4 kW
				1.5-2.2 kW	3 kW	4 kW
5a	1	Compression ring, with thread .....		9612133601	9612133602	9612133602
5b	1	Compression ring, without thread .....		9612133701	9612133702	9612133702
6	6	Screw .....		9611993196	9611993196	9611993196
6a	6	Washer .....		9611993199	9611993199	9611993199
3	4	Screw .....		9611993240	9611993240	9611993240
7	1	Shaft incl. pin , (pos.8) .....			9612132502	9612132502
	1	Shaft incl. pin and retaining, (pos.8+9) .....		9612132402		
8	1	Connex pin .....		9611990622	9611990622	9611990622
9	1	Retaining ring .....		9611992307		
16	1	Adaptor .....		9612342301	9612342401	9612342401
17	4	Screw for adaptor .....		9611992161	9611991834	9611991834
18	4	Nut for adaptor .....		9611990353	9611990587	9611990587
19	4	Washer for adaptor .....		9611991887	9611990676	9611990676
22	1	Safety guard set .....		9614077401	9614077402	9614077402
	1	Screw for safety guard .....		9611993239	9611993239	9611993239
30a	1	Support bar, right .....		9612132201	9612132205	9612342205
30b	1	Support bar, left .....		9612132301	9612132305	9612342305
31	4	Leg .....		9612396701	9612396701	9612396701
32	4	Screw .....		9611991126	9611991126	9611991126
33	4	Nut .....		9611990360	9611990353	9611990353
34	4	Spring washer .....		9611991888	9611991887	9611991887
35	4	Screw .....		9611993241	9611991911	9611991911
35a	4	Washer .....			9611990786	9611990786
39	4	Nut .....			9611990587	
46	4	Distance sleeve .....				

Motor dependent parts for other motors before october 2012

Pos	Qty	Denomination	Exe Exd/Exde	5-6 kW	11-17 kW	22 kW
				5.5-7.5 kW	11-18.5 kW	22 kW
5a	1	Compression ring, with thread .....		9612133605	9612133603	9612133604
5b	1	Compression ring, without thread .....		9612133705	9612133703	9612133704
6	6	Screw .....		9611993197	9611993198	9611993198
6a	6	Washer .....		9611993199	9611993199	9611993199
3	4	Screw .....		9611993240	9611993241	9611993243
7	1	Shaft incl. pin, (pos.8) .....		9612132602	9612132702	9612132802
8	1	Connex pin .....		9611990622	9611990622	9611990622
16	1	Adaptor .....		9612342501	9612342601	9612342601
17	4	Screw for adaptor .....		9611992162	9611992163	9611992164
18	4	Nut for adaptor .....		9611990587	9611992160	9611992160
19	4	Washer for adaptor .....		9611990676	9611991886	9611991886
22	1	Safety guard set .....		9614077403	9614077404	9614077404
	1	Screw for safety guard .....		9611993239	9611993239	9611993239
30a	1	Support bar, right .....		9612342206	9612132203	9612132204
30b	1	Support bar, left .....		9612342306	9612342303	9612342304
31	4	Leg .....		9612396701	9612396701	9612396701
32	4	Screw .....		9611991126	9611991126	9611991126
33	4	Nut .....		9611990353	9611990587	9611990587
34	4	Spring washer .....		9611991887	9611990676	9611990676
35	4	Screw .....		9611991374	9611991834	9611991834
35a	4	Washer .....		9611990786	9611990706	9611990706
39	4	Nut .....				
46	4	Distance sleeve .....		9611992737	3143803902	3143803901



## LKHex - Motor dependent parts (LKH-10 -70)

### Motor dependent parts for other motors before october 2012

Pos	Qty	Denomination	1.5 kW	2.2 kW	3 kW	4 kW	5.5 kW
	1	Leroy Motor, Exd incl. shroud .....	9614287001	9614287002	9614287003	9614287004	9614287005
	1	Leroy Motor, Exde incl. shroud .....	9614287011	9614287012	9614287013	9614287014	9614287015

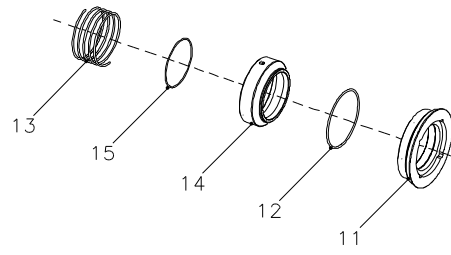
Pos	Qty	Denomination	7.5 kW	11 kW	15 kW	18.5 kW	22 kW
	1	Leroy Motor, Exd incl. shroud .....	9614287006	9614287007	9614287008	9614287009	9614287010
	1	Leroy Motor, Exde incl. shroud .....	9614287016	9614287017	9614287018	9614287019	9614287020

Pos	Qty	Denomination	1.5 kW	2.1 kW	3 kW	4 kW	5 kW
	1	ABB Motor, Exe <sup>1)</sup> .....					
	1	Shroud .....	9612138902	9612138902	9612138903	9612138904	9612138908

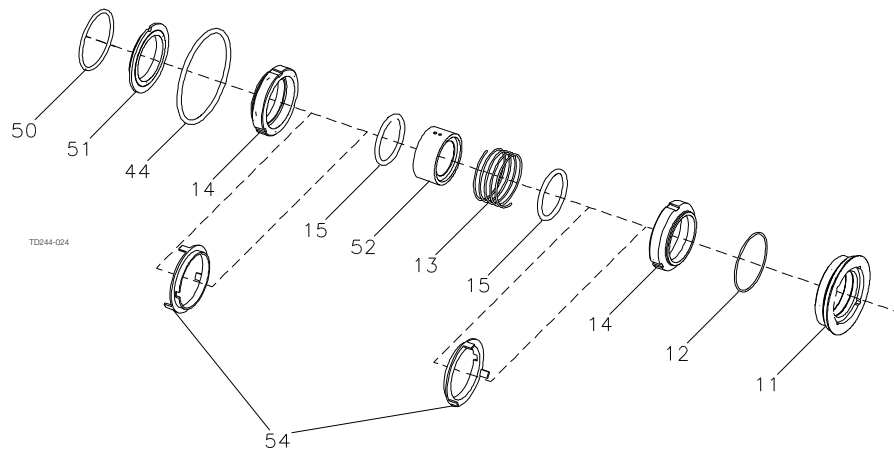
Pos	Qty	Denomination	6 kW	11 kW	14 kW	17 kW	22 kW
	1	ABB Motor, Exe <sup>1)</sup> .....					
	1	Shroud .....	9612138908	9612138905	9612138905	9612138905	9612138906

<sup>1)</sup> For ABB Exe motor inquiries, please contact Technical Support

Single shaft seal



Double mechanical shaft seal





**LKHex - Shaft seal**

Pos	Qty	Denomination	LKH 25/35/40		
			LKH 10/15/20	/45/50/60	LKH 70
<b>Accessories</b>					
1	1	Tool complete .....	9612903601	9612903601	9612903701
<b>Parts for double mechanical shaft seal</b>					
40a	1	Seal housing .....	9612133902	9612133902	9612591401
41	2	Screw for seal housing .....	9611990203	9611990203	9611993766
42	2	Tube .....	9612358901	9612358907	9612358903
<b>Drive ring</b>					
10	1	Drive ring, single shaft seal steel .....	9614206001	9614206001	9612514901

Pos	Qty	Denomination	LKH 10-60	LKH 10-60	LKH 10-60	LKH 10-60
			EPDM	NBR	FPM	FEP

**Single shaft seal (standard)**

Complete shaft seal

□◆		C/SiC .....	9612129609	9612129610	9612129611	9612129612
11	1	Stationary seal ring, SiC .....				
12	1	O-ring .....				
13	1	Spring .....				
14	1	Rotating seal ring, carbon .....				
15	1	O-ring .....				

**Alternatives for single shaft seal**

Complete shaft seal

◆◇		SiC/SiC .....	9612129605	9612129606	9612129607	9612129608
11	1	Stationary seal ring, SiC .....				
12	1	O-ring .....				
13	1	Spring .....				
14	1	Rotating seal ring, SiC .....				
15	1	O-ring .....				

**Double mechanical shaft seal (standard)**

Complete seal

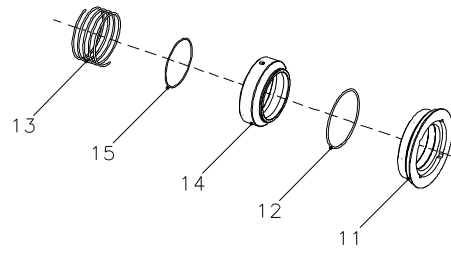
▲▲		C/SiC .....	9612129613	9612129614	9612129615	9612129616
11	1	Stationary seal ring, SiC .....				
12	1	O-ring .....				
13	1	Spring .....				
14	2	Rotating seal ring, carbon .....				
15	2	O-ring .....				
44	1	O-ring for seal housing, EPDM .....				
50	1	O-ring, EPDM .....				
51	1	Sec. stationary seal ring .....				
52	1	Drive ring .....				

**Alternatives for double mechanical shaft seal**

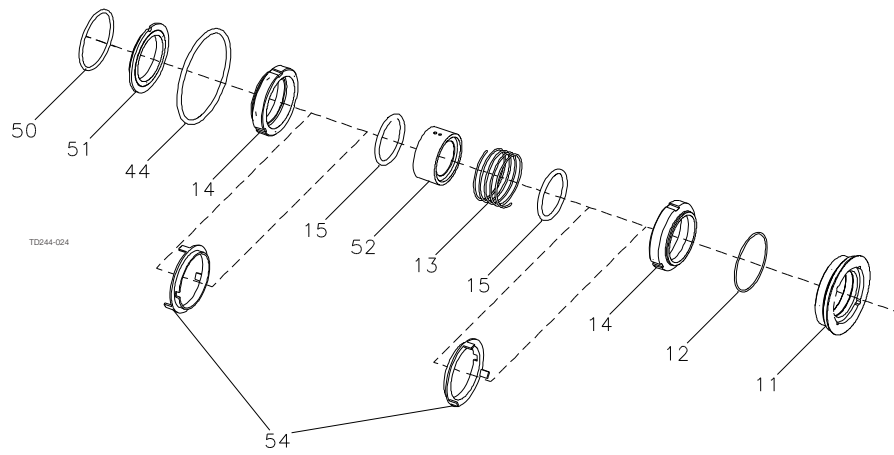
Complete shaft seal

◆●		SiC/SiC .....	9612129617	9612129618	9612129619	9612129620
11	1	Stationary seal ring, SiC .....				
12	1	O-ring .....				
13	1	Spring .....				
14	2	Rotating seal ring, SiC .....				
15	2	O-ring .....				
44	1	O-ring for seal housing, EPDM .....				
50	1	O-ring, EPDM .....				
51	1	Sec. stationary seal ring .....				
52	1	Drive ring .....				

Single shaft seal



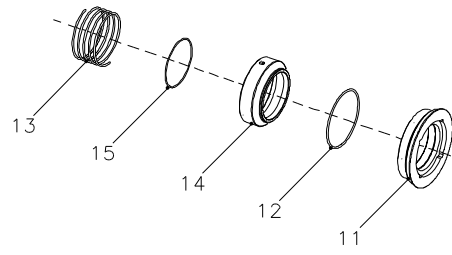
Double mechanical shaft seal



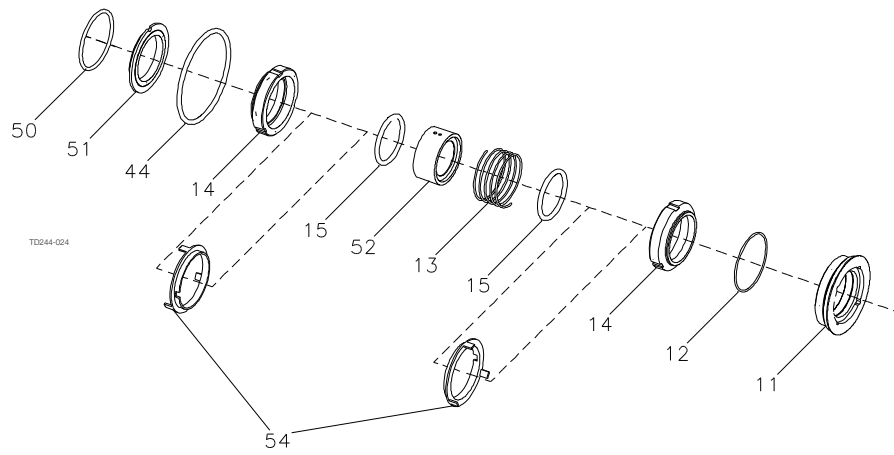
# LKHex - Shaft seal

Pos	Qty	Denomination	LKH 70 EPDM	LKH 70 NBR	LKH 70 FPM	LKH 70 FEP
<b>Complete shaft seal</b>						
		□◆ C/SiC .....	9612515101	9612515102	9612515103	9612515104
11	1	Stationary seal ring, SiC .....				
12	1	O-ring .....				
13	1	Spring .....				
14	1	Rotating seal ring, carbon .....				
15	1	O-ring .....				
<b>Alternatives for single shaft seal</b>						
<b>Complete shaft seal</b>						
		◆◆ SiC/SiC .....	9612515105	9612515106	9612515107	9612515108
11	1	Stationary seal ring, SiC .....				
12	1	O-ring .....				
13	1	Spring .....				
14	1	Rotating seal ring, SiC .....				
15	1	O-ring .....				
<b>Double mechanical shaft seal (standard)</b>						
<b>Complete seal</b>						
		▲▲ C/SiC .....	9612515117	9612515118	9612515119	9612515120
11	1	Stationary seal ring, SiC .....				
12	1	O-ring .....				
13	1	Spring .....				
14	2	Rotating seal ring, carbon .....				
15	2	O-ring .....				
44	1	O-ring for seal housing, EPDM .....				
50	1	O-ring, EPDM .....				
51	1	Sec. stationary seal ring .....				
52	1	Drive ring .....				
54	2	Cup .....				
<b>Alternatives for double mechanical shaft seal</b>						
<b>Complete shaft seal</b>						
		◆● SiC/SiC .....	9612515121	9612515122	9612515123	9612515124
11	1	Stationary seal ring, SiC .....				
12	1	O-ring .....				
13	1	Spring .....				
14	2	Rotating seal ring, SiC .....				
15	2	O-ring .....				
44	1	O-ring for seal housing, EPDM .....				
50	1	O-ring, EPDM .....				
51	1	Sec. stationary seal ring .....				
52	1	Drive ring .....				
54	2	Cup .....				

Single shaft seal



Double mechanical shaft seal



		EPDM	NBR	FPM	FEP
<b>Service kit for single shaft seal C/SiC</b>					
□	Service kit, C/SiC (LKH-10/15) .....	9611922072	9611922073	9611922074	9611922075
□	Service kit, C/SiC (LKH-20) .....	9611922080	9611922081	9611922082	9611922083
□	Service kit, C/SiC (LKH-25/35/45) .....	9611922178	9611922179	9611922180	9611922181
□	Service kit, C/SiC (LKH-40/50/60) .....	9611922088	9611922089	9611922090	9611922091
<b>Service kit for single shaft seal SiC/SiC</b>					
❖	Service kit, SiC/SiC (LKH-10/15) .....	9611922546	9611922547	9611922548	9611922549
❖	Service kit, SiC/SiC (LKH-20) .....	9611922570	9611922571	9611922572	9611922573
❖	Service kit, SiC/SiC (LKH-25/35/45) .....	9611922594	9611922595	9611922596	9611922597
❖	Service kit, SiC/SiC (LKH-40/50/60) .....	9611922619	9611922620	9611922621	9611922622
<b>Service kit for single shaft seal and impeller screw C/SiC</b>					
◆	Service kit, C/SiC (LKH-10/15) .....	9611922114	9611922115	9611922116	9611922117
◆	Service kit, C/SiC (LKH-20) .....	9611922122	9611922123	9611922124	9611922125
◆	Service kit, C/SiC (LKH-25/35/45) .....	9611922182	9611922183	9611922184	9611922185
◆	Service kit, C/SiC (LKH-40/50/60) .....	9611922130	9611922131	9611922132	9611922133
◆	Service kit, C/SiC (LKH-70) .....	9611922238	9611922239	9611922240	9611922241
<b>Service kit for single shaft seal and impeller screw SiC/SiC</b>					
◇	Service kit, SiC/SiC (LKH-10/15) .....	9611922550	9611922551	9611922552	9611922553
◇	Service kit, SiC/SiC (LKH-20) .....	9611922574	9611922575	9611922576	9611922577
◇	Service kit, SiC/SiC (LKH-25/35/45) .....	9611922598	9611922599	9611922600	9611922601
◇	Service kit, SiC/SiC (LKH-40/50/60) .....	9611922623	9611922624	9611922625	9611922626
◇	Service kit, SiC/SiC (LKH-70) .....	9611922643	9611922644	9611922645	9611922646
<b>Service kit for double mechanical shaft seal C/SiC</b>					
△	Service kit, C/SiC (LKH-10/15) .....	9611922206	9611922207	9611922208	9611922209
△	Service kit, C/SiC (LKH-20) .....	9611922214	9611922215	9611922216	9611922217
△	Service kit, C/SiC (LKH-25/35/45) .....	9611922222	9611922223	9611922224	9611922225
△	Service kit, C/SiC (LKH-40/50/60) .....	9611922230	9611922231	9611922232	9611922233
<b>Service kit for double mechanical shaft seal SiC/SiC</b>					
⊗	Service kit, SiC/SiC (LKH-10/15) .....	9611922562	9611922563	9611922564	9611922565
⊗	Service kit, SiC/SiC (LKH-20) .....	9611922586	9611922587	9611922588	9611922589
⊗	Service kit, SiC/SiC (LKH-25/35/45) .....	9611922610	9611922611	9611922612	9611922613
⊗	Service kit, SiC/SiC (LKH-40/50/60) .....	9611922635	9611922636	9611922637	9611922638
<b>Service kit for double mechanical shaft seal and impeller screw C/SiC</b>					
▲	Service kit, C/SiC (LKH-10/15) .....	9611922210	9611922211	9611922212	9611922213
▲	Service kit, C/SiC (LKH-20) .....	9611922218	9611922219	9611922220	9611922221
▲	Service kit, C/SiC (LKH-25/35/45) .....	9611922226	9611922227	9611922228	9611922229
▲	Service kit, C/SiC (LKH-40/50/60) .....	9611922234	9611922235	9611922236	9611922237
▲	Service kit, C/SiC (LKH-70) .....	9611922416	9611922417	9611922418	9611922419
<b>Service kit for double mechanical shaft seal and impeller screw SiC/SiC</b>					
●	Service kit, SiC/SiC (LKH-10/15) .....	9611922566	9611922567	9611922568	9611922569
●	Service kit, SiC/SiC (LKH-20) .....	9611922590	9611922591	9611922592	9611922593
●	Service kit, SiC/SiC (LKH-25/35/45) .....	9611922614	9611922615	9611922616	9611922617
●	Service kit, SiC/SiC (LKH-40/50/60) .....	9611922639	9611922640	9611922641	9611922642
●	Service kit, SiC/SiC (LKH-70) .....	9611922651	9611922652	9611922653	9611922654

Parts marked with □◆▲◇❖⊗● are included in the service kits.

Recommended spare parts: Service kits.

Conversion kit - single to double mechanical shaft seal: Please order double mechanical service kit + pos. 40a + 41 + 42

**How to contact Alfa Laval**

Contact details for all countries are continually updated on our website.

Please visit [www.alfalaval.com](http://www.alfalaval.com) to access the information directly.

© Alfa Laval Corporate AB

This document and its contents is owned by Alfa Laval Corporate AB and protected by laws governing intellectual property and thereto related rights. It is the responsibility of the user of this document to comply with all applicable intellectual property laws. Without limiting any rights related to this document, no part of this document may be copied, reproduced or transmitted in any form or by any means (electronic, mechanical, photocopying, recording, or otherwise), or for any purpose, without the expressed permission of Alfa Laval Corporate AB. Alfa Laval Corporate AB will enforce its rights related to this document to the fullest extent of the law, including the seeking of criminal prosecution.