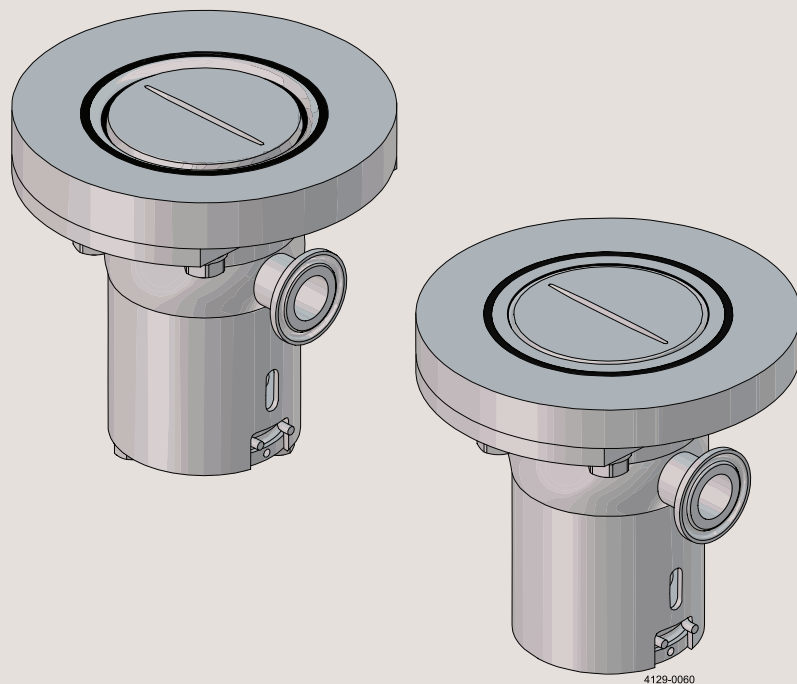




Spare Parts

Alfa Laval PlusClean® - Alfa Laval PlusClean® UltraPure



4129-0060

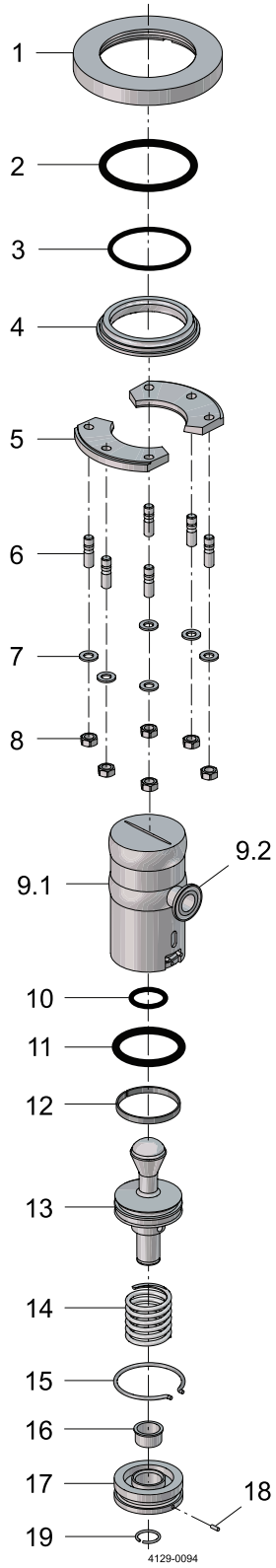
100001949-EN7 2025-01

Original manual

The information herein is correct at the time of issue but may be subject to change without prior notice

1. PlusClean and PlusClean UltraPure Part drawings, lists, service kits & tools, serial numbers from 2023-28908	4
2. PlusClean and PlusClean UltraPure previous version Part drawings, lists, service kits & tools, serial numbers from 2021-24815 to 2023-27110	10

Media Driven



PlusClean and PlusClean UltraPure
 Part drawings, lists, service kits & tools, serial numbers from 2023-28908

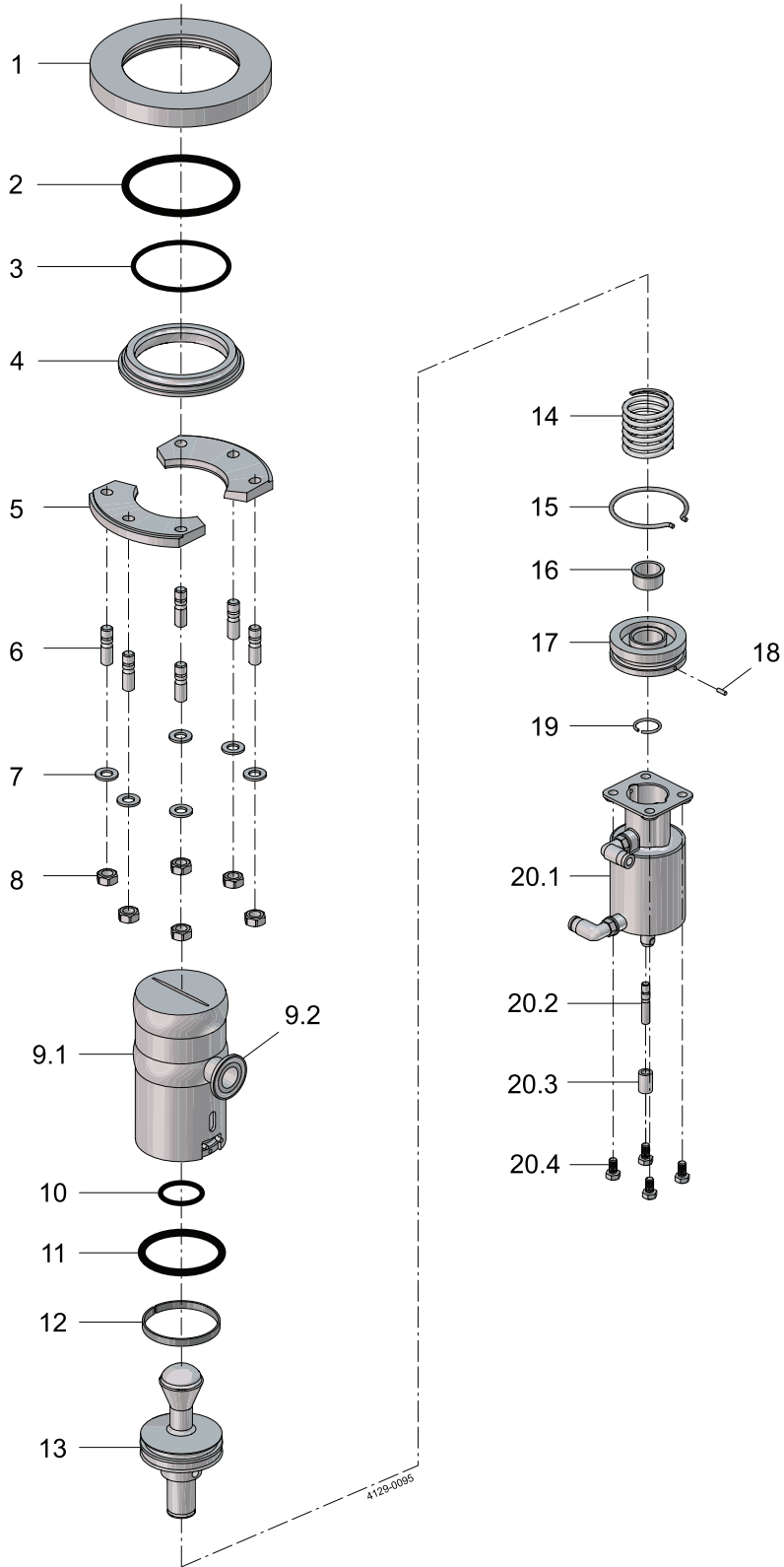
Pos	Qty	Denomination	Item no.
Media Driven			
1	1	Weld plate, Adjustable	8010025238
	1	Weld plate, Fixed	8010025421
2	◆○	O-ring, EPDM	8010025431H
	◆○	O-ring, FPM	8010025443H
3	◆○	O-ring, EPDM - Adjustable	8010025430H
	◆○	O-ring, EPDM - Fixed	8010025426H
	◆○	O-ring, FPM - Adjustable	8010025444H
	◆○	O-ring, FPM - Fixed	8010025442H
4	1	Adapter, Adjustable	8010025424
	1	Adapter, Fixed	8010025425
5	2	Locking ring, Adjustable	8010025422
	2	Locking ring, Fixed	8010025423
6	6	Stud, M8x20	8010022627
7	6	Washer	TE2601000349
8	6	Nut, M8	TE2601000266
9.1	1	Body, with Offset Slot and DN15 inlet*	On request
	1	Body, with Wide Center Slot and DN15 inlet*	On request
	1	Body, with Narrow Center Slot and DN15 inlet*	On request
	1	Body, with Offset Slot and 3/4"ASME inlet*	On request
	1	Body, with Wide Center Slot and 3/4"ASME inlet*	On request
	1	Body, with Narrow Center Slot and 3/4"ASME inlet*	On request
9.2	1	Inlet	
10	◆○	O-ring, EPDM	8010033875
	◆○	O-ring, FPM	8010033876
11	◆○	O-ring, EPDM	8010000494H
12	◆○	Guide ring, PTFE	9613008413
13	1	Piston	8010000479
	1	Piston, UltraPure	8010001108
14	1	Spring	9612938202
15	1	Retaining ring	8010000498
16	1	Bushing	9613125002
17	1	End plate	8010000480
18	1	Positioning pin	TE2601000350
19	1	Retaining ring	9615477201

* Also available in UltraPure upon request.

		Item no.
Service kit		
◆	Standard service kit for adjustable PlusClean w. EPDM	8010025554
◆	Service kit for adjustable PlusClean UltraPure w. EPDM (Q-doc)	8010025805
○	Standard service kit for fixed PlusClean w. EPDM	8010025561
○	Service kit for fixed PlusClean UltraPure w. EPDM (Q-doc) ..	8010025806
◆	Standard service kit for adjustable PlusClean w. FPM	8010025593
◆	Service kit for adjustable PlusClean UltraPure w. FPM (Q-doc)	8010025807
○	Standard service kit for fixed PlusClean w. FPM	8010025605
○	Service kit for fixed PlusClean UltraPure w. FPM (Q-doc)	8010025808

Parts marked with ◆ are included in the service kits for adjustable PlusClean 8010025554, 8010025805, 8010025593, and 8010025807
 Parts marked with ○ are included in the service kits for fixed PlusClean 8010025561, 8010025806, 8010025605, and 8010025808

Pneumatic Driven



PlusClean and PlusClean UltraPure
 Part drawings, lists, service kits & tools, serial numbers from 2023-28908

Pos	Qty	Denomination	Item no.
Pneumatic Driven			
1	1	Weld plate, Adjustable	8010025238
	1	Weld plate, Fixed	8010025421
2	1	O-ring, EPDM	
◆○	1	O-ring, FPM	
3	1	O-ring, EPDM - Adjustable	
◆○	1	O-ring, EPDM - Fixed	
◆○	1	O-ring, FPM - Adjustable	
◆○	1	O-ring, FPM - Fixed	
4	1	Adapter, Adjustable	8010025424
	1	Adapter, Fixed	8010025425
5	2	Locking ring, Adjustable	8010025422
	2	Locking ring, Fixed	8010025423
6	6	Stud, M8x20	8010022627
7	6	Washer	TE2601000349
8	6	Nut, M8	TE2601000266
9.1	1	Body, with Offset Slot and DN15 inlet*	On request
	1	Body, with Wide Center Slot and DN15 inlet*	On request
	1	Body, with Narrow Center Slot and DN15 inlet*	On request
	1	Body, with Offset Slot and 3/4"ASME inlet*	On request
	1	Body, with Wide Center Slot and 3/4"ASME inlet*	On request
	1	Body, with Narrow Center Slot and 3/4"ASME inlet*	On request
9.2	1	Inlet	
10	1	O-ring, FPM	8010033876
◆○	1	O-ring, EPDM	8010033875
11	1	O-ring, EPDM	
12	1	Guide ring, PTFE	9613008413
13	1	Piston	8010000479
	1	Piston, UltraPure	8010001108
14	1	Spring	9612938202
15	1	Retaining ring	8010000498
16	1	Bushing	9613125002
17	1	End plate	8010000480
18	1	Positioning pin	TE2601000350
19	1	Retaining ring	9615477201
20.	1	PlusClean Actuator, complete	8010003107
1			
20.	1	Connecting stud	
2			
20.	1	Actuator spacer	
3			
20.	4	Screw	
4			

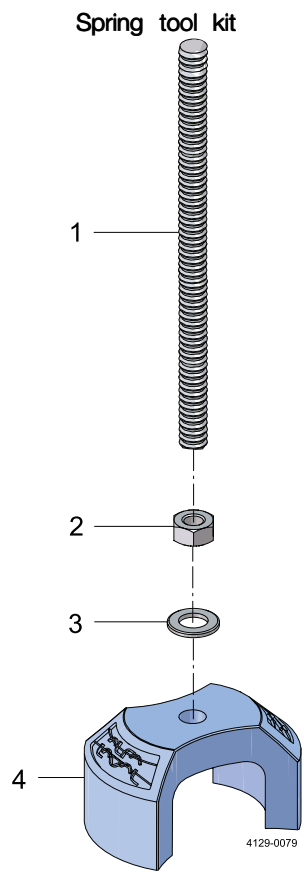
* Also available in UltraPure upon request.

Item no.

Service kit

◆	Standard service kit for adjustable PlusClean w. EPDM	8010025554
◆	Service kit for adjustable PlusClean UltraPure w. EPDM (Q-doc)	8010025805
○	Standard service kit for fixed PlusClean w. EPDM	8010025561
○	Service kit for fixed PlusClean UltraPure w. EPDM (Q-doc) ..	8010025806
◆	Standard service kit for adjustable PlusClean w. FPM	8010025593
◆	Service kit for adjustable PlusClean UltraPure w. FPM (Q-doc)	8010025807
○	Standard service kit for fixed PlusClean w. FPM	8010025605
○	Service kit for fixed PlusClean UltraPure w. FPM (Q-doc)	8010025808

Parts marked with ◆ are included in the service kits for adjustable PlusClean 8010025554, 8010025805, 8010025593, and 8010025807
 Parts marked with ○ are included in the service kits for fixed PlusClean 8010025561, 8010025806, 8010025605, and 8010025808



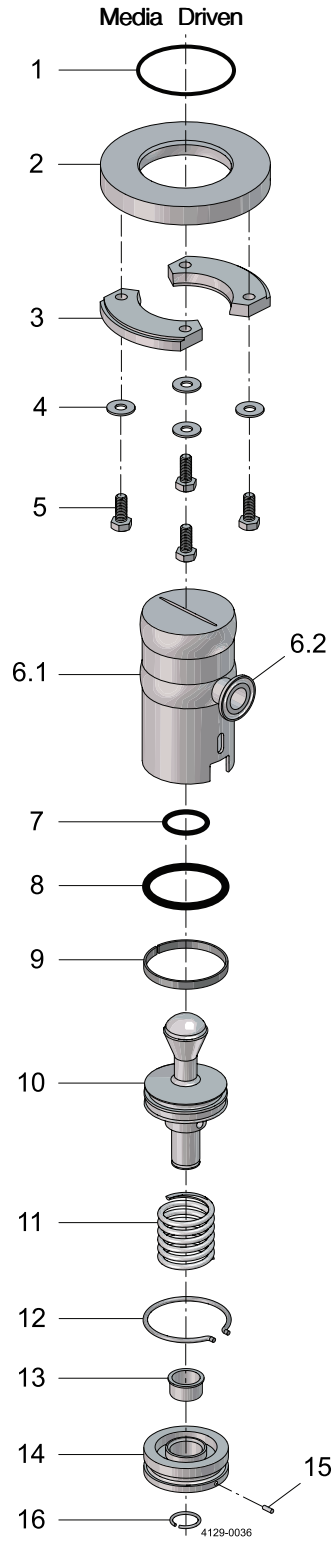
Pos	Qty	Denomination	Item no.
Spring tool kit			
1	<input type="checkbox"/>	1 Screw, (M6x1)	
2	<input type="checkbox"/>	1 Nut	
3	<input type="checkbox"/>	1 Washer	
4	<input type="checkbox"/>	1 Spring mounting tool	
			Item no.

Tool kits

<input type="checkbox"/>	Spring tool kit	8010001093
--------------------------	------------------------------	-------------------

Parts marked with are included in the Spring tool kit.

Not manufactured anymore



Pos	Qty	Denomination	Item no.
Media Driven			
1	◆	1 O-ring, FEP - Adjustable weld plate	8010000495
	○	1 O-ring, FEP - Fixed weld plate	8010000496
2		1 Weld plate, Adjustable	8010000481
		1 Weld plate, Fixed	8010000482
3		2 Locking ring, Adjustable weld plate**	
		2 Locking ring, Fixed weld plate***	
4		4 Washer	TE2601000349
5		4 Screw, M8x1.25	TE2601000389
6.1		1 Body, with Offset Slot and DN15 inlet*	On request
		1 Body, with Wide Center Slot and DN15 inlet*	On request
		1 Body, with Narrow Center Slot and DN15 inlet*	On request
		1 Body, with Offset Slot and 3/4"ASME inlet*	On request
		1 Body, with Wide Center Slot and 3/4"ASME inlet*	On request
		1 Body, with Narrow Center Slot and 3/4"ASME inlet*	On request
6.2		1 Inlet	
7	◆○	1 O-ring, FEP	
8	◆○	1 O-ring, EPDM	
9	◆○	1 Guide ring, PTFE	
10		1 Piston,	8010000479
		1 Piston, UltraPure	8010001108
11		1 Spring	9612938202
12		1 Retaining ring	8010000498
13		1 Bushing	9613125002
14		1 End plate	8010000480
15		1 Positioning pin	TE2601000350
16		1 Retaining ring	9615477201

* Also available in UltraPure upon request.

** Order item number 8010022720

*** Order item number 8010022721

Item no.

Service kit

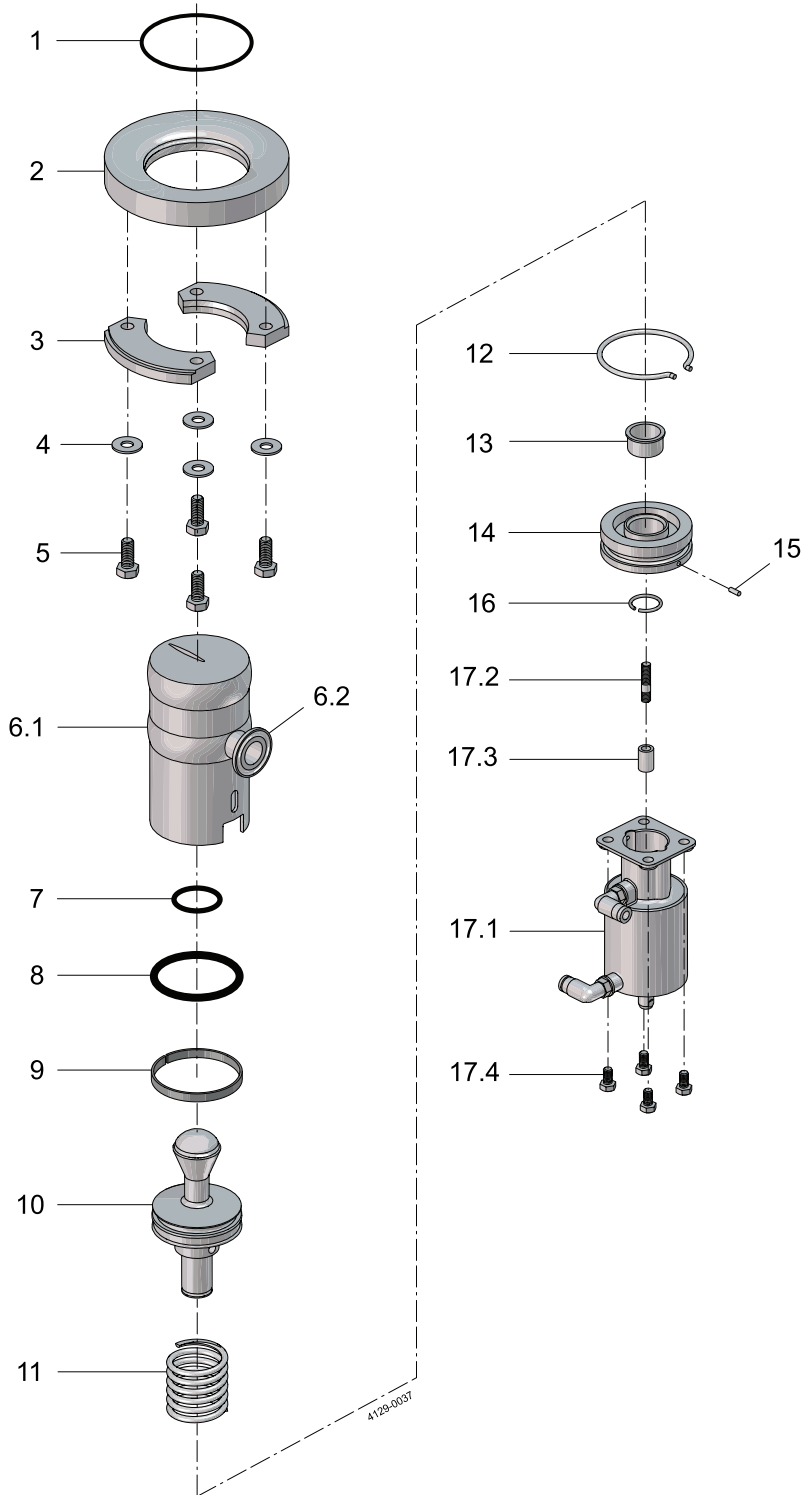
Standard service kit for adjustable weldplate	8010000995
Service kit for adjustable weldplate UltraPure (Q-doc)	8010000996
Standard service kit for fixed weldplate	8010019194
Service kit for fixed weldplate UltraPure (Q-doc)	8010019195

Parts marked with ◆ are included in the service kits for adjustable weldplate 8010000995 and 8010000996

Parts marked with ○ are included in the service kits for fixed weldplate 8010019194 and 8010019195

Not manufactured anymore

Pneumatic Driven



PlusClean and PlusClean UltraPure previous version
 Part drawings, lists, service kits & tools, serial numbers from 2021-24815 to 2023-27110

Pos	Qty	Denomination	Item no.
Pneumatic Driven			
1	◆	1 O-ring, FEP - Adjustable weld plate	8010000495
	○	1 O-ring, FEP - Fixed weld plate	8010000496
2		1 Weld plate, Adjustable	8010000481
		1 Weld plate, Fixed	8010000482
3		2 Locking ring, Adjustable weld plate**	
		2 Locking ring, Fixed weld plate***	
4		4 Washer	TE2601000349
5		4 Screw, M8x1.25	TE2601000389
6.1		1 Body, with Offset Slot and DN15 inlet*	On request
		1 Body, with Wide Center Slot and DN15 inlet*	On request
		1 Body, with Narrow Center Slot and DN15 inlet*	On request
		1 Body, with Offset Slot and 3/4"ASME inlet*	On request
		1 Body, with Wide Center Slot and 3/4"ASME inlet*	On request
		1 Body, with Narrow Center Slot and 3/4"ASME inlet*	On request
6.2		1 Inlet	
7	◆○	1 O-ring, FEP	
8	◆○	1 O-ring, EPDM	
9	◆○	1 Guide ring, PTFE	
10		1 Piston,	8010000479
		1 Piston, UltraPure	8010001108
11		1 Spring	9612938202
12		1 Retaining ring	8010000498
13		1 Bushing	9613125002
14		1 End plate	8010000480
15		1 Positioning pin	TE2601000350
16		1 Retaining ring	9615477201
17.		1 PlusClean Actuator, complete	8010003107
1			
17.		1 Connecting stud	
2			
17.		1 Actuator spacer	
3			
17.		4 Screw	
4			

* Also available in UltraPure upon request.

** Order item number 8010022720

*** Order item number 8010022721

Item no.

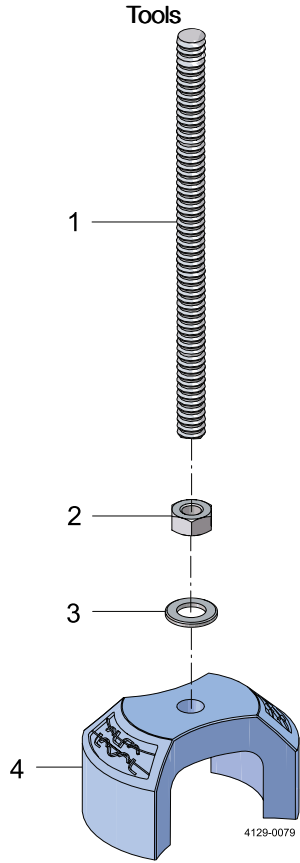
Service kit

Standard service kit for adjustable weldplate	8010000995
Service kit for adjustable weldplate UltraPure (Q-doc)	8010000996
Standard service kit for fixed weldplate	8010019194
Service kit for fixed weldplate UltraPure (Q-doc)	8010019195

Parts marked with ◆ are included in the service kits for adjustable weldplate 8010000995 and 8010000996

Parts marked with ○ are included in the service kits for fixed weldplate 8010019194 and 8010019195

Not manufactured anymore



Pos	Qty	Denomination	Item no.
Tools			
1	<input type="checkbox"/>	1 Screw, (M6x1)	
2	<input type="checkbox"/>	1 Nut	
3	<input type="checkbox"/>	1 Washer	
4	<input type="checkbox"/>	1 Spring mounting tool	
			Item no.

Tool kit			
	<input type="checkbox"/>	Spring tool kit	8010001093

Parts marked with are included in the Spring tool kit.

How to contact Alfa Laval

Contact details for all countries are continually updated on our website.

Please visit www.alfalaval.com to access the information directly.

© Alfa Laval Corporate AB

This document and its contents is owned by Alfa Laval Corporate AB and protected by laws governing intellectual property and thereto related rights. It is the responsibility of the user of this document to comply with all applicable intellectual property laws. Without limiting any rights related to this document, no part of this document may be copied, reproduced or transmitted in any form or by any means (electronic, mechanical, photocopying, recording, or otherwise), or for any purpose, without the expressed permission of Alfa Laval Corporate AB. Alfa Laval Corporate AB will enforce its rights related to this document to the fullest extent of the law, including the seeking of criminal prosecution.