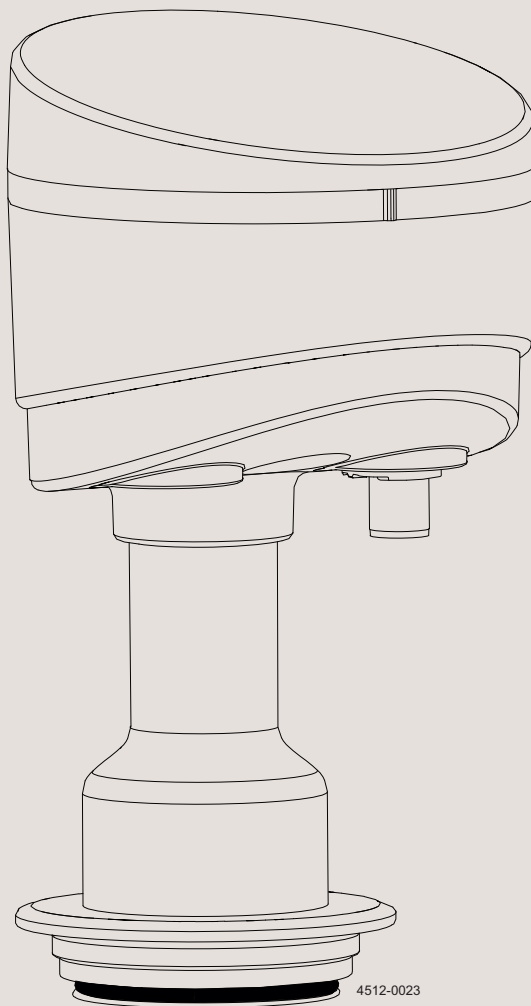




Spare Parts

Toftejorg Rotacheck+ & Rotacheck Basic



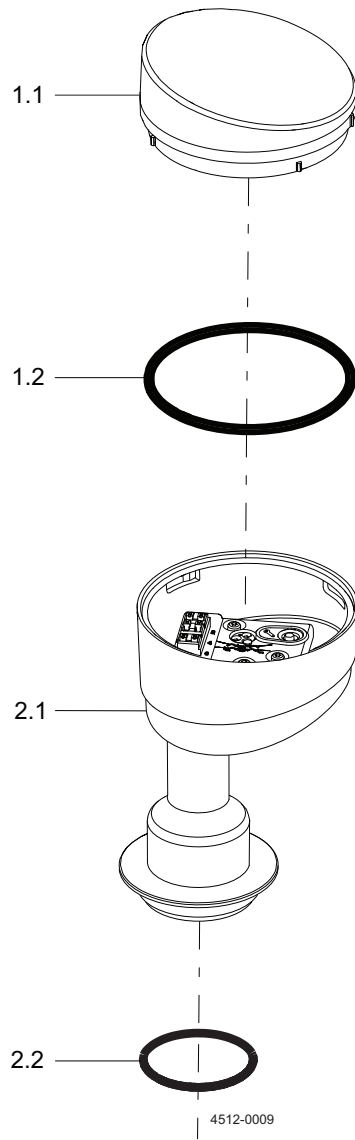
ESE02280-EN2 2014-10

Original manual

The information herein is correct at the time of issue but may be subject to change without prior notice

1. Parts Drawing and List	4
2. Optional Parts Drawing and List	6

Parts Drawing

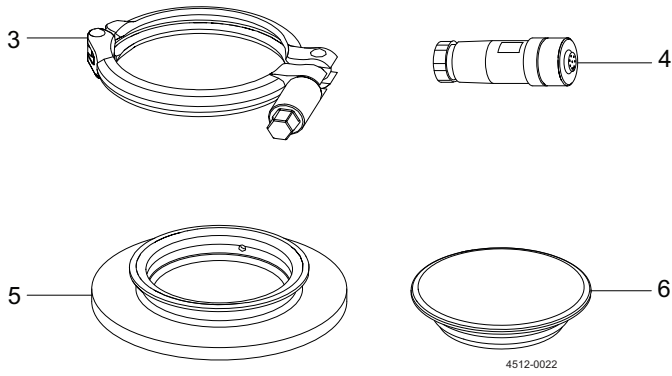


Parts Drawing and List

Parts List

Pos	Qty	Denomination	Part number
1	1	Top cover/prism and o-ring assembly	9614091103
1.1	-	Top cover/prism assembly	-
1.2	-	O-ring for top cover	9611995306
2	1	Sensor unit with o-ring	-
2.1	-	Sensor unit	-
2.2 □	-	O-ring	9611994285
□	-	O-ring (Q-doc version)	9611995402

Optional Parts Drawing



Optional Parts Drawing and List

Optional Parts List

Pos	Qty	Denomination	Part number
3	1	Clamp ring	9612939303
4	1	M12 connector	9611995257
5	□	1 Tank flange, Hygienic tank connection HTC	9614070801
	□	1 Tank flange, Hygienic tank connection HTC (Q-doc version)	9614070890
6	□	1 Blind cap with o-ring	9614071001
	□	1 Blind cap with o-ring (Q-doc version)	9614071090

How to contact Alfa Laval

Contact details for all countries are continually updated on our website.

Please visit www.alfalaval.com to access the information directly.

© Alfa Laval Corporate AB

This document and its contents is owned by Alfa Laval Corporate AB and protected by laws governing intellectual property and thereto related rights. It is the responsibility of the user of this document to comply with all applicable intellectual property laws. Without limiting any rights related to this document, no part of this document may be copied, reproduced or transmitted in any form or by any means (electronic, mechanical, photocopying, recording, or otherwise), or for any purpose, without the expressed permission of Alfa Laval Corporate AB. Alfa Laval Corporate AB will enforce its rights related to this document to the fullest extent of the law, including the seeking of criminal prosecution.