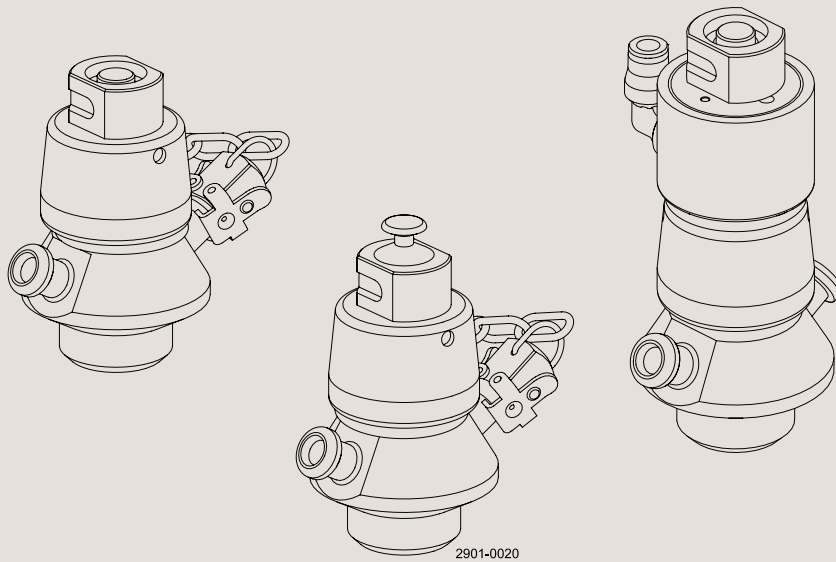




Spare Parts

Alfa Laval SB Membrane Sampling Valve

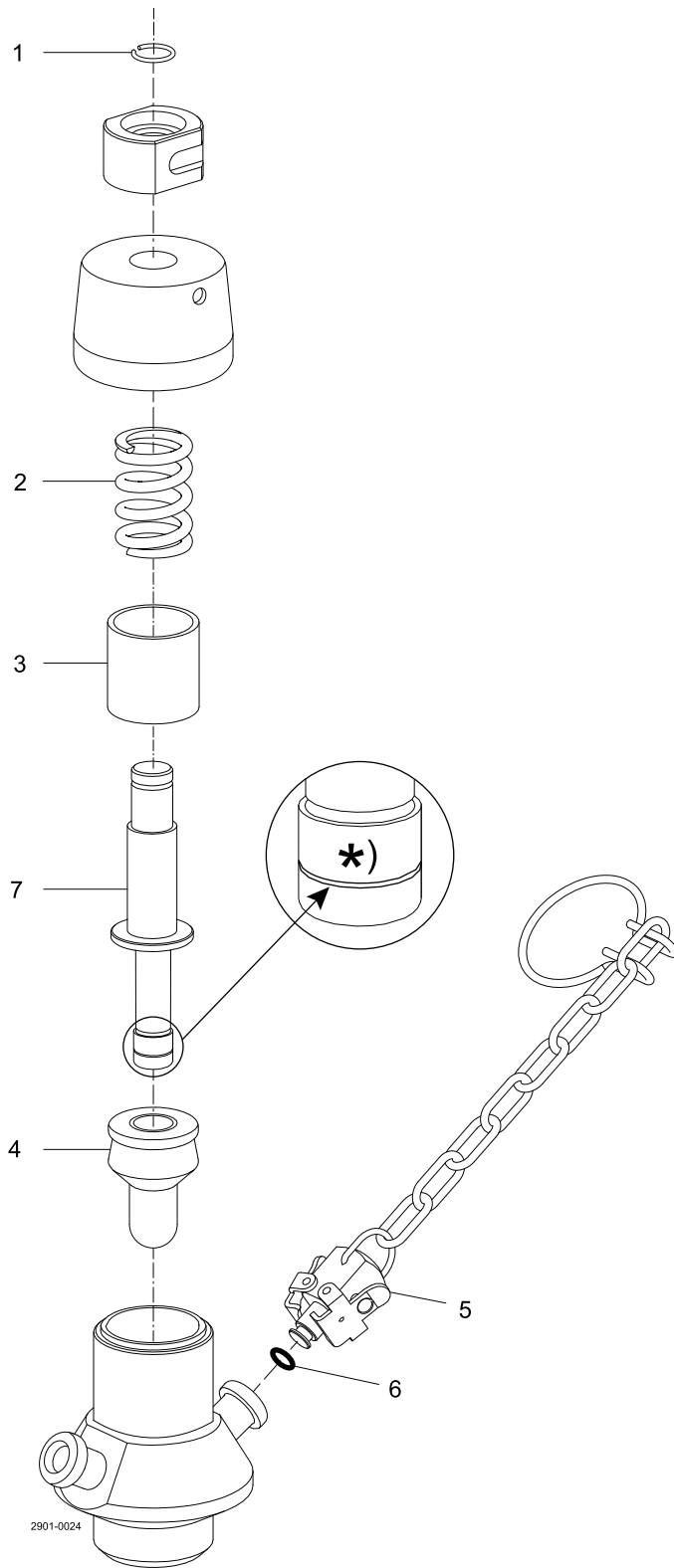


ESE02901-EN7 2023-09

Original manual

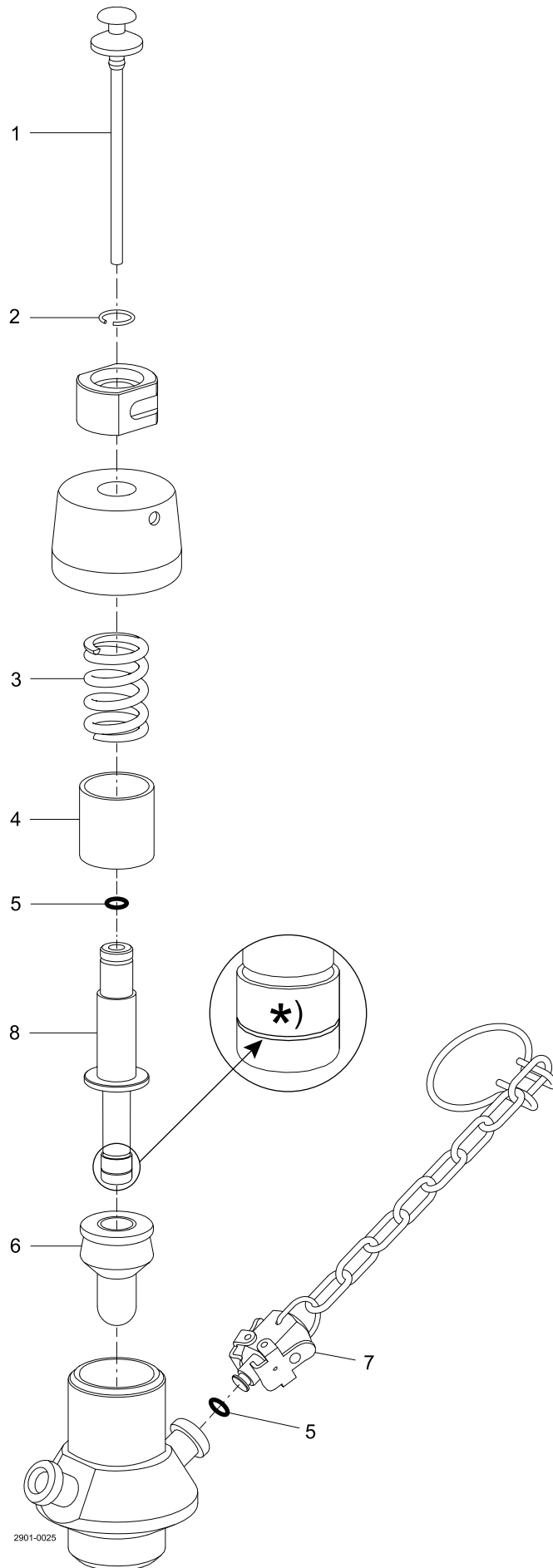
The information herein is correct at the time of issue but may be subject to change without prior notice

1. SB Membrane Sampling Valve, manual	4
2. SB Membrane Sampling Valve, manual+micro port	6
3. SB Membrane Sampling Valve, pneumatic	8



Pos	Qty	Denomination	
1	1	Locking ring	9615093501
2	1	MSV spring	9615154301*
3	1	Bushing for spring	9615093701
4	1	Membrane, EPDM, black, with metal bushing 20 pcs	9615102199
	1	Membrane, EPDM, white, with blue bushing 20 pcs	9615102196
	1	Membrane, EPDM, white, with grey bushing 20 pcs	9615102198
	1	Membrane, EPDM, white, with red bushing 20 pcs	9615102194
	1	Membrane, Silicone, with blue bushing 20 pcs	9615102195
	1	Membrane, Silicone, with grey bushing 20 pcs	9615102197
	1	Membrane, Silicone, with red bushing 20 pcs	9615102193
6	1	O-ring	9611995715
7	1	Plunger, manual	9615155401*

* if the plunger has one, or two grooves on the plunger head, a replacement of the springs demands an replacement of the plunger as well. (pos.2 and pos.7)

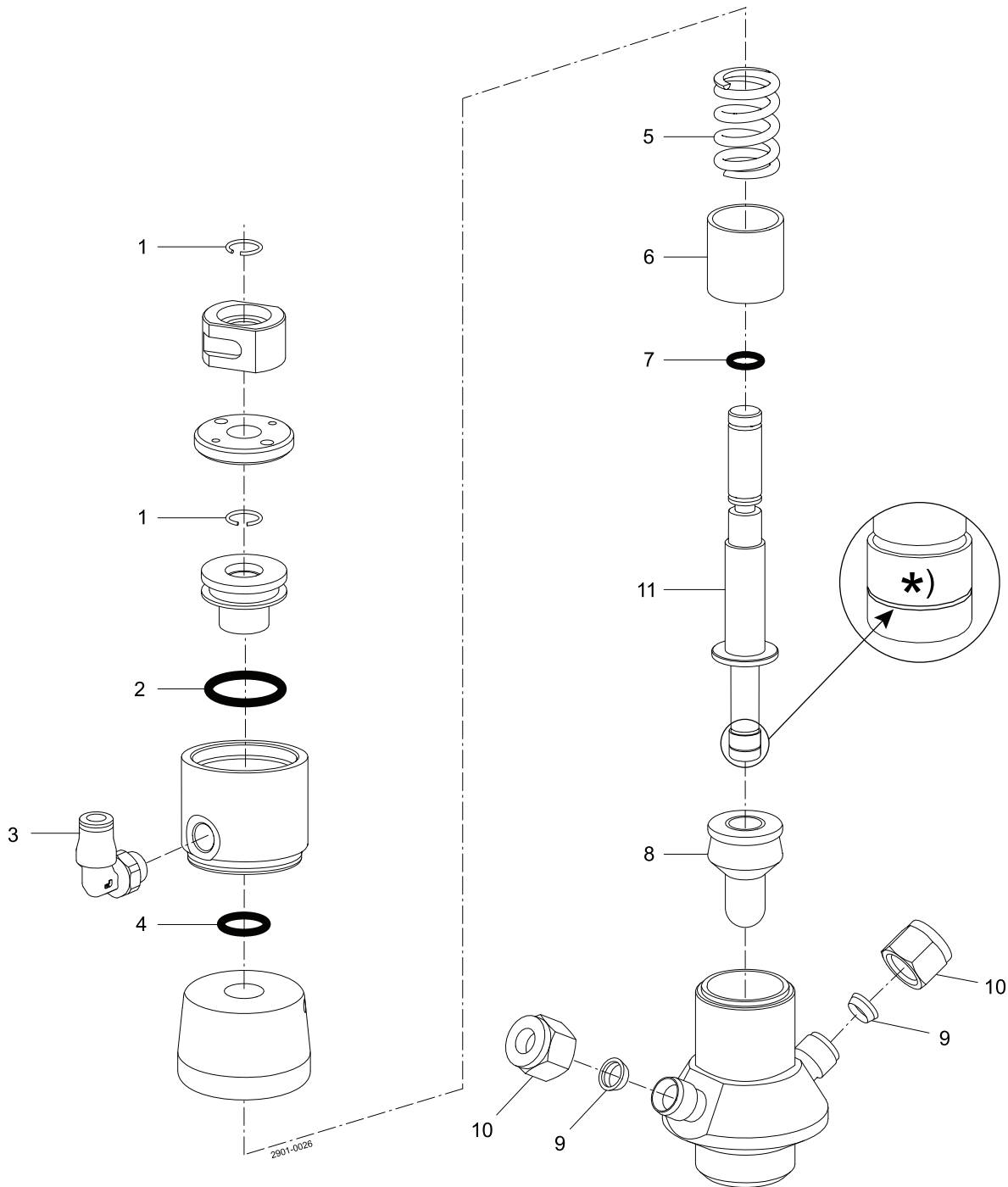


SB Membrane Sampling Valve, manual+micro port

Pos	Qty	Denomination	
1	1	Closing cap w. pipe	9615144201
2	1	Locking ring	9615093501
3	1	MSV spring	9615154301*
4	1	Bushing for spring	9615093701
5	1	O-ring, EPDM	9611995715
6	1	Membrane, EPDM, black, with metal bushing 20 pcs	9615102199
	1	Membrane, EPDM, white, with blue bushing 20 pcs	9615102196
	1	Membrane, EPDM, white, with grey bushing 20 pcs	9615102198
	1	Membrane, EPDM, white, with red bushing 20 pcs	9615102194
	1	Membrane, Silicone, with blue bushing 20 pcs	9615102195
	1	Membrane, Silicone, with grey bushing 20 pcs	9615102197
	1	Membrane, Silicone, with red bushing 20 pcs	9615102193
7	1	Clip-on closing cap with chain (includes O-ring)	9615101201
8	1	Plunger microport	9615195501*

* if the plunger has one, or two grooves on the plunger head, a replacement of the springs demands an replacement of the plunger as well.

Pos. 8 and pos. 3 from this illustration



SB Membrane Sampling Valve, pneumatic

Pos	Qty	Denomination	
1	□	2	Locking ring 9615093501
2	□	1	O-ring, NBR 9615093501
3		1	Air inlet 9611991988
4	□	1	O-ring, NBR 9615093501
5		1	MSV spring 9615154301*
6		1	Bushing for spring 9615093701
7	□	1	O-ring, NBR 9615093501
8		1	Membrane, EPDM, black, with metal bushing 20 pcs 9615102199
		1	Membrane, EPDM, white, with blue bushing 20 pcs 9615102196
		1	Membrane, EPDM, white, with grey bushing 20 pcs 9615102198
		1	Membrane, EPDM, white, with red bushing 20 pcs 9615102194
		1	Membrane, Silicone, with blue bushing 20 pcs 9615102195
		1	Membrane, Silicone, with grey bushing 20 pcs 9615102197
		1	Membrane, Silicone, with red bushing 20 pcs 9615102193
9		2	Ferrule set 9611995506
10		2	Nut 9611995505
11		1	Plunger Pneumatic* 9615154701

* if the plunger has one, or two grooves on the plunger head, a replacement of the springs demands an replacement of the plunger as well.
 Pos. 5 and pos. 11 from this illustration

□	Service kit 9611924317
---	-------------------------------------

Parts marked with □ are included in the service kits.

How to contact Alfa Laval

Contact details for all countries are continually updated on our website.

Please visit www.alfalaval.com to access the information directly.

© Alfa Laval Corporate AB

This document and its contents is owned by Alfa Laval Corporate AB and protected by laws governing intellectual property and thereto related rights. It is the responsibility of the user of this document to comply with all applicable intellectual property laws. Without limiting any rights related to this document, no part of this document may be copied, reproduced or transmitted in any form or by any means (electronic, mechanical, photocopying, recording, or otherwise), or for any purpose, without the expressed permission of Alfa Laval Corporate AB. Alfa Laval Corporate AB will enforce its rights related to this document to the fullest extent of the law, including the seeking of criminal prosecution.