



Spare Parts

Alfa Laval Toftejorg™ SaniJet 20 Air Driven



EPS00147-EN6 2023-05

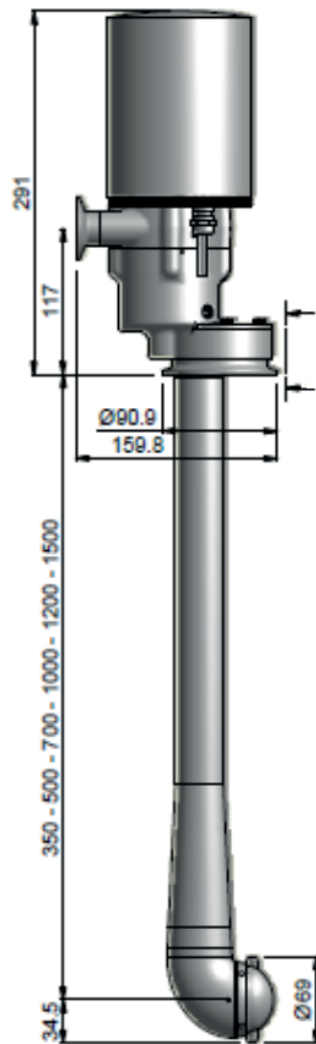
Original manual

Table of contents

The information herein is correct at the time of issue but may be subject to change without prior notice

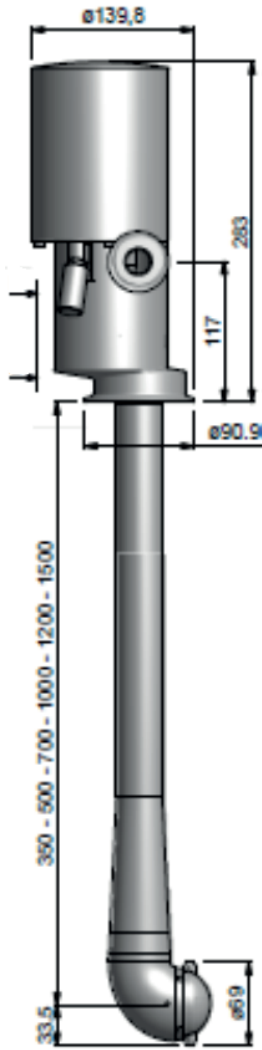
1. Comparison drawings – old and new machine design	4
2. Alfa Laval Toftejorg Sanijet 20 Air Driven Machine design released August 2012: Item numbers TE24Xxxx	6
3. Alfa Laval Toftejorg Sanijet 20 Air Driven Machine design obsolete August 2012: Item numbers TE20Xxxx	16

1 Comparison drawings – old and new machine design

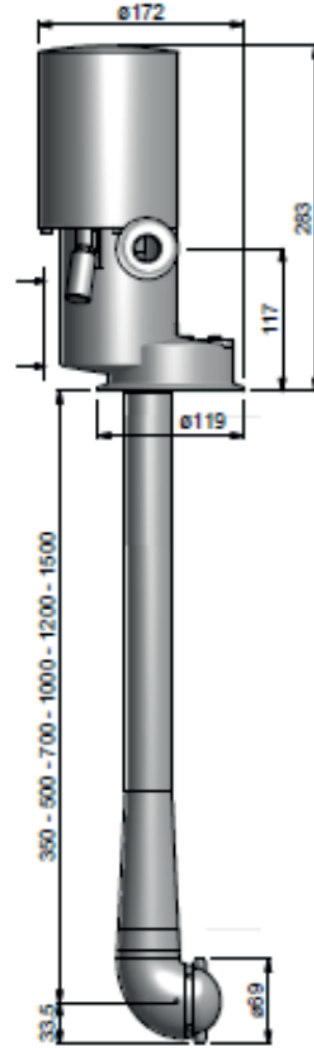


Old design

1 Comparison drawings – old and new machine design

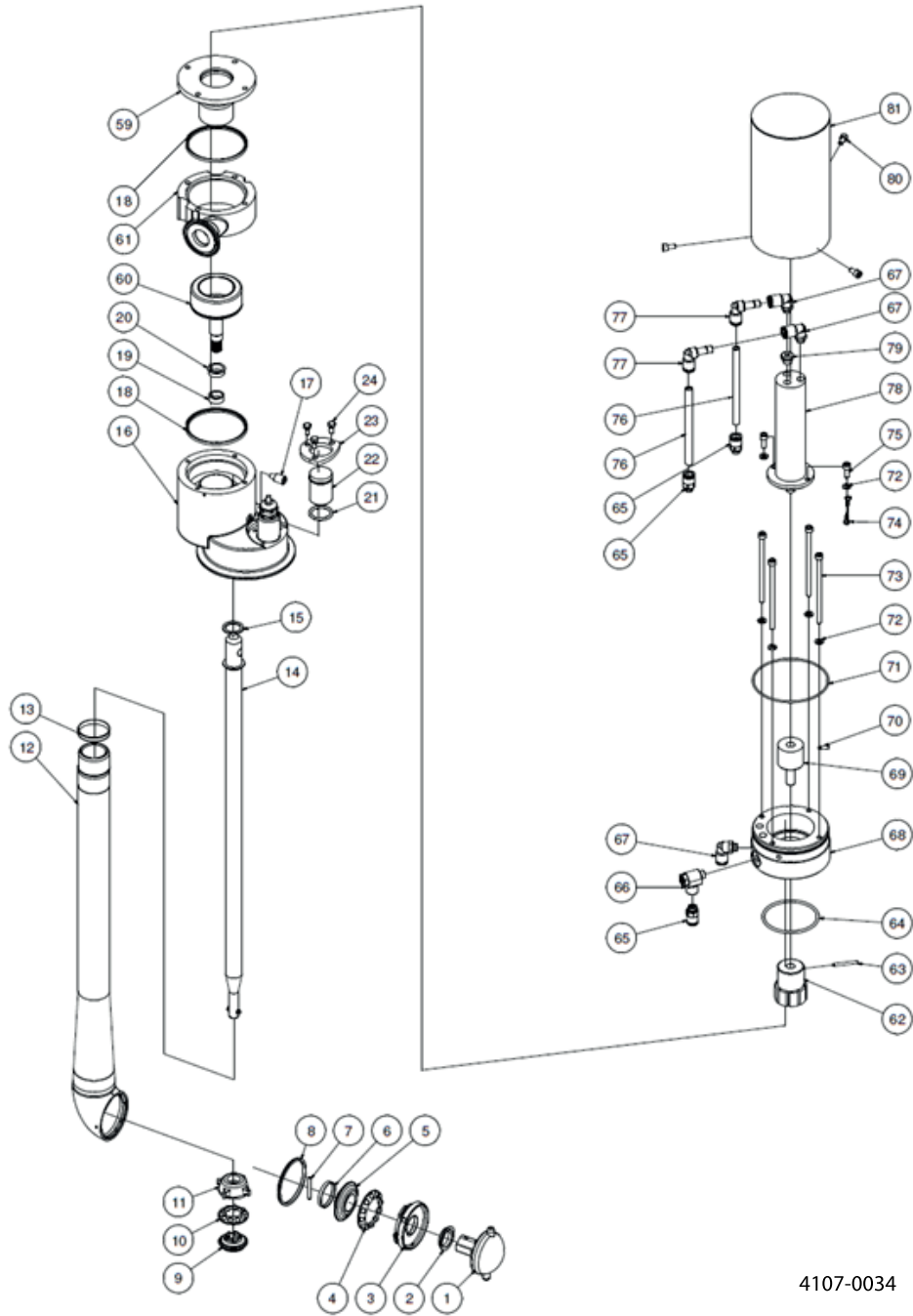


New design 3"



New design 4"

Alfa Laval Toftejorg SaniJet 20, Air Driven - New Version, item numbers TE24Xxxx



4107-0034

Alfa Laval Toftejorg Sanijet 20 Air Driven
Machine design released August 2012: Item numbers TE24Xxxx

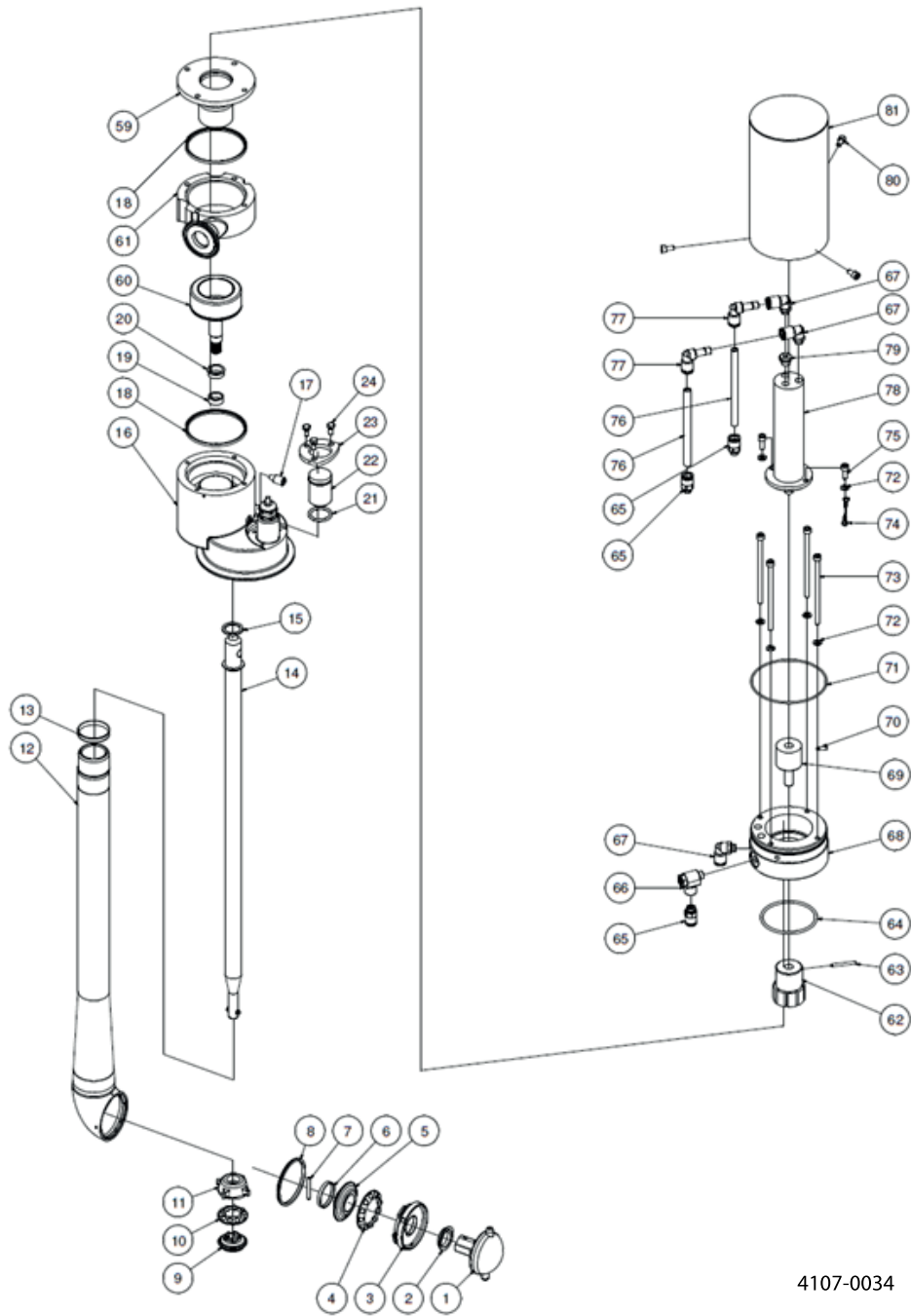
Pos	Qty	Denomination	Item no. for 4" version	Item no. for 3" version	Material	Remarks
Toftejorg Sanijet 20, Air Driven (EPDM as standard)						
1	<input type="checkbox"/>	1 Cleaner head 2xø2.0mm	TE20B334	TE20B334	Stainless steel	Spare part
	<input type="checkbox"/>	1 Cleaner head 2xø3.8mm	TE20B335	TE20B335	Stainless steel	Spare part
	<input type="checkbox"/>	1 Cleaner head 4xø4.2mm	TE20B336	TE20B336	Stainless steel	Spare part
2		1 Bearing bush	TE20B554	TE20B554	Polymer	Wear part
3		1 Retaining ring	TE20B552	TE20B552	Stainless steel	Wear part
4		1 Ball ring N	TE20B365	TE20B365	Polym./titan.	Wear part
5		1 Bevel gear	TE20B550	TE20B550	Stainless steel	Wear part
6		1 Clip ring	TE20B571	TE20B571	Stainless steel	Spare part
7		1 Pin	TE20B572	TE20B572	Stainless steel	Spare part
8	<input type="checkbox"/>	1 Seal ring H	TE20B553	TE20B553	EPDM	Wear part
	<input type="checkbox"/>	1 Seal ring H	TE20B55301	TE20B55301	FPM	Wear part
	<input type="checkbox"/>	1 Seal ring H	TE20C553	TE20C553	FFKM	Wear part
9		1 Bevel gear	TE20B542	TE20B542	Stainless steel	Wear part
10		1 Ball ring	TE20B364	TE20B364	Polym./titan.	Wear part
11		1 Ball race	TE20B539	TE20B539	Stainless steel	Wear part
12	<input type="checkbox"/>	1 Outer tube, L = 350 mm	TE20B310	TE20B310	Stainless steel	Spare part
	<input type="checkbox"/>	1 Outer tube, L = 500 mm	TE20B311	TE20B311	Stainless steel	Spare part
	<input type="checkbox"/>	1 Outer tube, L = 700 mm	TE20B312	TE20B312	Stainless steel	Spare part
	<input type="checkbox"/>	1 Outer tube, L = 1000 mm	TE20B313	TE20B313	Stainless steel	Spare part
	<input type="checkbox"/>	1 Outer tube, L = 1200 mm	TE20B314	TE20B314	Stainless steel	Spare part
	<input type="checkbox"/>	1 Outer tube, L = 1500 mm	TE20B315	TE20B315	Stainless steel	Spare part
13		1 Bearing ring	TE20B510	TE20B510	Polymer	Wear part
14	<input type="checkbox"/>	1 Inner shaft, L = 350 mm	TE20B538	TE20B538	Stainless steel	Spare part
	<input type="checkbox"/>	1 Inner shaft, L = 500 mm	TE20B532	TE20B532	Stainless steel	Spare part
	<input type="checkbox"/>	1 Inner shaft, L = 700 mm	TE20B533	TE20B533	Stainless steel	Spare part
	<input type="checkbox"/>	1 Inner shaft, L = 1000 mm	TE20B534	TE20B534	Stainless steel	Spare part
	<input type="checkbox"/>	1 Inner shaft, L = 1200 mm	TE20B535	TE20B535	Stainless steel	Spare part
	<input type="checkbox"/>	1 Inner shaft, L = 1500 mm	TE20B536	TE20B536	Stainless steel	Spare part
15		1 Plain seal	TE20B511	TE20B511	EPDM	Wear part
	<input type="checkbox"/>	1 Plain seal	TE20B51101	TE20B51101	FPM	Wear part
	<input type="checkbox"/>	1 Plain seal	TE20C511	TE20C511	FFKM	Wear part
16		1 Base housing			Stainless steel	*Note
17		1 Retaining screw	TE20B512	TE20B512	Stainless steel	Spare part
18	<input type="checkbox"/>	2 Gasket	TE20B516	TE20B516	EPDM	Wear part
	<input type="checkbox"/>	2 Gasket	TE20B51601	TE20B51601	FPM	Wear part
	<input type="checkbox"/>	2 Gasket	TE20C516	TE20C516	FFKM	Wear part
19		1 Bearing bush	TE20B514	TE20B514	Polymer	Wear part
20		1 Bearing bush	TE20B513	TE20B513	Polymer	Wear part
21	<input type="checkbox"/>	1 O-ring	TE51T127	TE51T127	EPDM	Wear part
	<input type="checkbox"/>	1 O-ring	TE51T008	TE51T008	FPM	Wear part
	<input type="checkbox"/>	1 O-ring	TE51T129	TE51T129	FFKM	Wear part
22		1 Plug	TE20B642	TE20B642	Stainless steel	Spare part
23		1 Bracket	TE24G594	TE24G594	Stainless steel	Spare part
24		3 Screw	TE51A172	TE51A172	Stainless steel	Spare part
59		1 Motor flange welded A	TE24B349	TE24B349	Stainless steel	Spare part
60		1 Rotor outer complete	TE20B340	TE20B340	Stainless steel/steel	Spare part
61		1 Inlet housing 1 Tri-clamp	TE24B351	TE24B351	Stainless steel	Spare part
62		1 Rotor inner w. magnets	TE20B343	TE20B343	Steel	Spare part
63		1 Tubular rivet	TE51C052	TE51C052	Stainless steel	Spare part
64		1 O-ring	TE51T142	TE51T142	Elastomer	Spare part
65		3 Straight connector	TE51U392	TE51U392	Brass, Nickel-pl.	Spare part
66		1 Flow control valve	TE51U395	TE51U395	Brass, Nickel-pl.	Spare part
67		3 L-connector	TE51U393	TE51U393	Brass, Nickel-pl.	Spare part
68		1 Flange for air motor	TE24B557	TE24B557	Polymer	Spare part
69		1 Adapter for air motor	TE24B556	TE24B556	Polymer	Spare part
70		1 Screw	TE51A096	TE51A096	Stainless steel	Spare part
71		1 O-ring	TE51T143	TE51T143	Elastomer	Spare part
72		6 Washer	TE51B013	TE51B013	Stainless steel	Spare part
73		4 Screw	TE51A097	TE51A097	Stainless steel	Spare part
74		1 Wire for grounding	TE24B353	TE24B353	Stainless steel/alu.	Spare part
75		2 Screw	TE51A112	TE51A112	Stainless steel	Spare part
76		2 Air tubing	TE51U397	TE51U397	Polymer	Spare part
77		2 L-connector	TE51U394	TE51U394	Brass, Nickel-pl.	Spare part
78		1 Air motor	TE51U009	TE51U009	Stainless steel	Spare part
79		1 Plug	TE51U396	TE51U396	Brass, Nickel-pl.	Spare part
80		3 Screw	TE51A100	TE51A100	Stainless steel	Spare part
81		1 Motor cover	TE24B348	TE24B348	Stainless steel	Spare part

Please note that some of the polymer parts are in PEEK, which is not resistant to concentrated sulfuric acid.

Configuration according to delivery note/order

*Note: Pos. 16 is not sold as single Spare part component but only as part of a machine maintenance/repair order. For further information please contact Alfa Laval Customer Support.

Alfa Laval Toftejorg SaniJet 20, Air Driven - New Version



4107-0034

Alfa Laval Toftejorg Sanijet 20 Air Driven
Machine design released August 2012: Item numbers TE24Xxxx

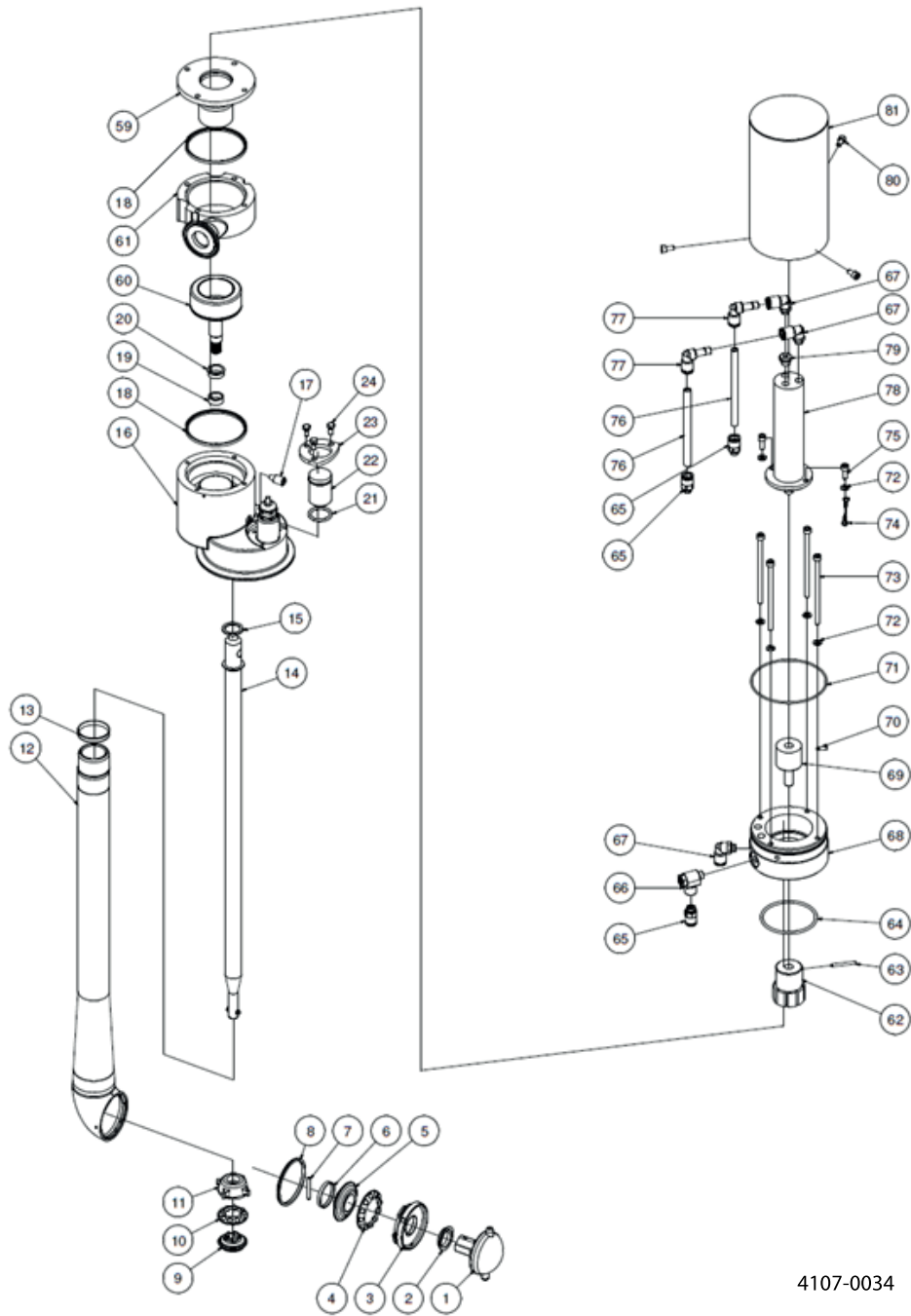
Pos	Qty	Denomination	Item no. for 4" version	Item no. for 3" version	Material	Remarks
Toftejorg Sanijet 20, Air Driven with improved surface finish (EPDM as standard)						
1	<input type="checkbox"/>	1 Cleaner head 2xø2.0mm	TE20E334	TE20E334	Stainless steel	Spare part
	<input type="checkbox"/>	1 Cleaner head 2xø3.8mm	TE20E335	TE20E335	Stainless steel	Spare part
	<input type="checkbox"/>	1 Cleaner head 4xø4.2mm	TE20E336	TE20E336	Stainless steel	Spare part
2		1 Bearing bush	TE20B554	TE20B554	Polymer	Wear part
3		1 Retaining ring	TE20E552	TE20E552	Stainless steel	Wear part
4		1 Ball ring N	TE20B365	TE20B365	Polym./titan.	Wear part
5		1 Bevel gear	TE20E550	TE20E550	Stainless steel	Wear part
6		1 Clip ring	TE20E571	TE20E571	Stainless steel	Spare part
7		1 Pin	TE20E572	TE20E572	Stainless steel	Spare part
8	<input type="checkbox"/>	1 Seal ring H	TE20B553	TE20B553	EPDM	Wear part
	<input type="checkbox"/>	1 Seal ring H	TE20B55301	TE20B55301	FPM	Wear part
	<input type="checkbox"/>	1 Seal ring H	TE20C553	TE20C553	FFKM	Wear part
9		1 Bevel gear	TE20E542	TE20E542	Stainless steel	Wear part
10		1 Ball ring	TE20B364	TE20B364	Polym./titan.	Wear part
11		1 Ball race	TE20E539	TE20E539	Stainless steel	Wear part
12	<input type="checkbox"/>	1 Outer tube, L = 350 mm	TE20E310	TE20E310	Stainless steel	Spare part
	<input type="checkbox"/>	1 Outer tube, L = 500 mm	TE20E311	TE20E311	Stainless steel	Spare part
	<input type="checkbox"/>	1 Outer tube, L = 700 mm	TE20E312	TE20E312	Stainless steel	Spare part
	<input type="checkbox"/>	1 Outer tube, L = 1000 mm	TE20E313	TE20E313	Stainless steel	Spare part
	<input type="checkbox"/>	1 Outer tube, L = 1200 mm	TE20E314	TE20E314	Stainless steel	Spare part
	<input type="checkbox"/>	1 Outer tube, L = 1500 mm	TE20E315	TE20E315	Stainless steel	Spare part
13		1 Bearing ring	TE20B510	TE20B510	Polymer	Wear part
14	<input type="checkbox"/>	1 Inner shaft, L = 350 mm	TE20E538	TE20E538	Stainless steel	Spare part
	<input type="checkbox"/>	1 Inner shaft, L = 500 mm	TE20E532	TE20E532	Stainless steel	Spare part
	<input type="checkbox"/>	1 Inner shaft, L = 700 mm	TE20E533	TE20E533	Stainless steel	Spare part
	<input type="checkbox"/>	1 Inner shaft, L = 1000 mm	TE20E534	TE20E534	Stainless steel	Spare part
	<input type="checkbox"/>	1 Inner shaft, L = 1200 mm	TE20E535	TE20E535	Stainless steel	Spare part
	<input type="checkbox"/>	1 Inner shaft, L = 1500 mm	TE20E536	TE20E536	Stainless steel	Spare part
15	<input type="checkbox"/>	1 Plain seal	TE20B511	TE20B511	EPDM	Wear part
	<input type="checkbox"/>	1 Plain seal	TE20B51101	TE20B51101	FPM	Wear part
	<input type="checkbox"/>	1 Plain seal	TE20C511	TE20C511	FFKM	Wear part
16		1 Base housing			Stainless steel	*Note
17		1 Retaining screw	TE20B512	TE20B512	Stainless steel	Spare part
18	<input type="checkbox"/>	2 Gasket	TE20B516	TE20B516	EPDM	Wear part
	<input type="checkbox"/>	2 Gasket	TE20B51601	TE20B51601	FPM	Wear part
	<input type="checkbox"/>	2 Gasket	TE20C516	TE20C516	FFKM	Wear part
19		1 Bearing bush	TE20B514	TE20B514	Polymer	Wear part
20		1 Bearing bush	TE20B513	TE20B513	Polymer	Wear part
21	<input type="checkbox"/>	1 O-ring	TE51T127	TE51T127	EPDM	Wear part
	<input type="checkbox"/>	1 O-ring	TE51T008	TE51T008	FPM	Wear part
	<input type="checkbox"/>	1 O-ring	TE51T129	TE51T129	FFKM	Wear part
22		1 Plug	TE20E642	TE20E642	Stainless steel	Spare part
23		1 Bracket	TE24F594	TE24F594	Stainless steel	Spare part
24		3 Screw	TE20E654	TE20E654	Stainless steel	Spare part
59		1 Motor flange welded A	TE24E346	TE24E346	Stainless steel	Spare part
60		1 Rotor outer complete	TE20E340	TE20E340	Stainless steel/steel	Spare part
61		1 Inlet housing 1 Tri-clamp	TE24E351	TE24E351	Stainless steel	Spare part
62		1 Rotor inner w. magnets	TE20B343	TE20B343	Steel	Spare part
63		1 Tubular rivet	TE51C052	TE51C052	Stainless steel	Spare part
64		1 O-ring	TE51T142	TE51T142	Elastomer	Spare part
65		3 Straight connector	TE51U392	TE51U392	Brass, Nickel-pl.	Spare part
66		1 Flow control valve	TE51U395	TE51U395	Brass, Nickel-pl.	Spare part
67		3 L-connector	TE51U393	TE51U393	Brass, Nickel-pl.	Spare part
68		1 Flange for air motor	TE24B557	TE24B557	Polymer	Spare part
69		1 Adapter for air motor	TE24B556	TE24B556	Polymer	Spare part
70		1 Screw	TE51A096	TE51A096	Stainless steel	Spare part
71		1 O-ring	TE51T143	TE51T143	Elastomer	Spare part
72		6 Washer	TE51B013	TE51B013	Stainless steel	Spare part
73		4 Screw	TE51A097	TE51A097	Stainless steel	Spare part
74		1 Wire for grounding	TE24B353	TE24B353	Stainless steel/alu.	Spare part
75		2 Screw	TE51A112	TE51A112	Stainless steel	Spare part
76		2 Air tubing	TE51U397	TE51U397	Polymer	Spare part
77		2 L-connector	TE51U394	TE51U394	Brass, Nickel-pl.	Spare part
78		1 Air motor	TE51U009	TE51U009	Stainless steel	Spare part
79		1 Plug	TE51U396	TE51U396	Brass, Nickel-pl.	Spare part
80		3 Screw	TE51A100	TE51A100	Stainless steel	Spare part
81		1 Motor cover	TE24B348	TE24B348	Stainless steel	Spare part

Please note that some of the polymer parts are in PEEK, which is not resistant to concentrated sulfuric acid.

Configuration according to delivery note/order

*Note: Pos. 16 is not sold as single Spare part component but only as part of a machine maintenance/repair order. For further information please contact Alfa Laval Customer Support.

Alfa Laval Toftejorg SaniJet 20, Air Driven - New Version



4107-0034

Alfa Laval Toftejorg Sanijet 20 Air Driven
Machine design released August 2012: Item numbers TE24Xxxx

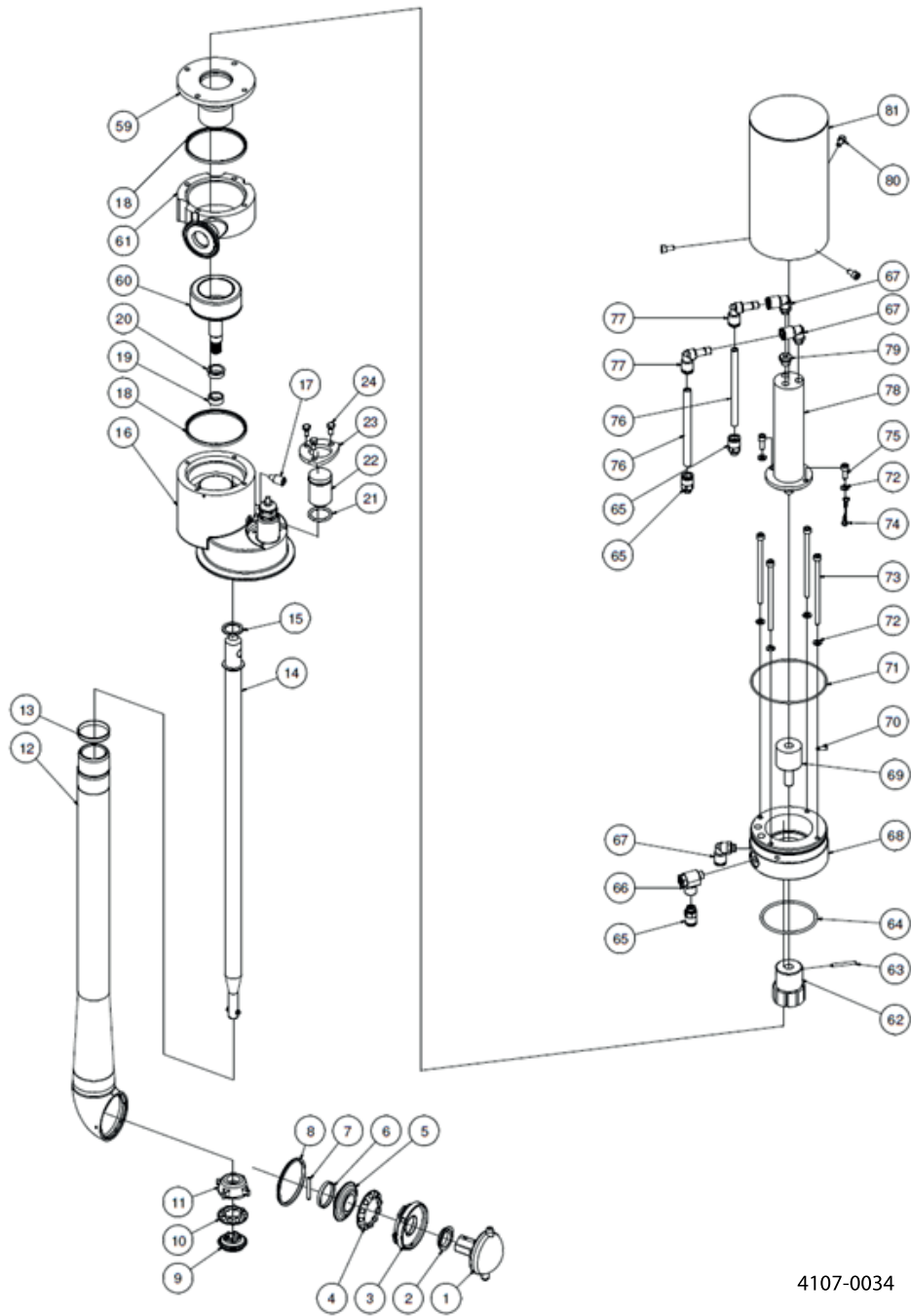
Pos	Qty	Denomination	Item no. for 4" version	Item no. for 3" version	Material	Remarks
Toftejorg Sanijet 20, Air Driven, Hastelloy version (FFKM as standard)						
1	<input type="checkbox"/>	1 Cleaner head 2xø2.0mm	TE20C334	TE20C334	Alloy	Spare part
	<input type="checkbox"/>	1 Cleaner head 2xø3.8mm	TE20C335	TE20C335	Alloy	Spare part
	<input type="checkbox"/>	1 Cleaner head 4xø4.2mm	TE20C336	TE20C336	Alloy	Spare part
2	1	Bearing bush	TE20B554	TE20B554	Polymer	Wear part
3	1	Retaining ring	TE20C552	TE20C552	Alloy	Wear part
4	1	Ball ring N	TE20C361	TE20C361	Polym./titan.	Wear part
5	1	Bevel gear	TE20C550	TE20C550	Alloy	Wear part
6	1	Clip ring	TE20C571	TE20C571	Alloy	Spare part
7	1	Pin	TE20C655	TE20C655	Alloy	Spare part
8	1	Seal ring H	TE20C553	TE20C553	FFKM	Wear part
9	1	Bevel gear	TE20C542	TE20C542	Alloy	Wear part
10	1	Ball ring	TE20C360	TE20C360	Polym./titan.	Wear part
11	1	Ball race	TE20C539	TE20C539	Alloy	Wear part
12	<input type="checkbox"/>	1 Outer tube, L = 350 mm	TE20C310	TE20C310	Alloy	Spare part
	<input type="checkbox"/>	1 Outer tube, L = 500 mm	TE20C311	TE20C311	Alloy	Spare part
	<input type="checkbox"/>	1 Outer tube, L = 700 mm	TE20C312	TE20C312	Alloy	Spare part
	<input type="checkbox"/>	1 Outer tube, L = 1000 mm	TE20C313	TE20C313	Alloy	Spare part
	<input type="checkbox"/>	1 Outer tube, L = 1200 mm	TE20C314	TE20C314	Alloy	Spare part
	<input type="checkbox"/>	1 Outer tube, L = 1500 mm	TE20C315	TE20C315	Alloy	Spare part
13	1	Bearing ring	TE20B510	TE20B510	Polymer	Wear part
14	<input type="checkbox"/>	1 Inner shaft, L = 350 mm	TE20C538	TE20C538	Alloy	Spare part
	<input type="checkbox"/>	1 Inner shaft, L = 500 mm	TE20C532	TE20C532	Alloy	Spare part
	<input type="checkbox"/>	1 Inner shaft, L = 700 mm	TE20C533	TE20C533	Alloy	Spare part
	<input type="checkbox"/>	1 Inner shaft, L = 1000 mm	TE20C534	TE20C534	Alloy	Spare part
	<input type="checkbox"/>	1 Inner shaft, L = 1200 mm	TE20C535	TE20C535	Alloy	Spare part
	<input type="checkbox"/>	1 Inner shaft, L = 1500 mm	TE20C536	TE20C536	Alloy	Spare part
15	1	Plain seal	TE20C511	TE20C511	FFKM	Wear part
16	1	Base housing			Alloy	*Note
17	1	Retaining screw	TE20B512	TE20B512	Stainless steel	Spare part
18	2	Gasket	TE20C516	TE20C516	FFKM	Wear part
19	1	Bearing bush	TE20B514	TE20B514	Polymer	Wear part
20	1	Bearing bush	TE20B513	TE20B513	Polymer	Wear part
21	1	O-ring	TE51T129		FFKM	Wear part
22	1	Plug	TE20C642		Alloy	Spare part
23	1	Bracket	TE24G594		Stainless steel	Spare part
24	3	Screw	TE51A172		Stainless steel	Spare part
59	-	Motor flange welded A	TE24C346	TE24C346-	Alloy	Spare part
60	1	Rotor outer complete	TE20C340	TE20C340	Alloy	Spare part
61	1	Inlet housing 1 Tri-clamp	TE24C351	TE24C351	Alloy	Spare part
62	1	Rotor inner w. magnets	TE20B343	TE20B343	Steel	Spare part
63	1	Tubular rivet	TE51C052	TE51C052	Stainless steel	Spare part
64	1	O-ring	TE51T142	TE51T142	Elastomer	Spare part
65	3	Straight connector	TE51U392	TE51U392	Brass, Nickel-pl.	Spare part
66	1	Flow control valve	TE51U395	TE51U395	Brass, Nickel-pl.	Spare part
67	3	L-connector	TE51U393	TE51U393	Brass, Nickel-pl.	Spare part
68	1	Flange for air motor	TE24B557	TE24B557	Polymer	Spare part
69	1	Adapter for air motor	TE24B556	TE24B556	Polymer	Spare part
70	1	Screw	TE51A096	TE51A096	Stainless steel	Spare part
71	1	O-ring	TE51T143	TE51T143	Elastomer	Spare part
72	6	Washer	TE51B013	TE51B013	Stainless steel	Spare part
73	4	Screw	TE51A097	TE51A097	Stainless steel	Spare part
74	1	Wire for grounding	TE24B353	TE24B353	Stainless steel/alu.	Spare part
75	2	Screw	TE51A112	TE51A112	Stainless steel	Spare part
76	2	Air tubing	TE51U397	TE51U397	Polymer	Spare part
77	2	L-connector	TE51U394	TE51U394	Brass, Nickel-pl.	Spare part
78	1	Air motor	TE51U009	TE51U009	Spare part	Spare part
79	1	Plug	TE51U396	TE51U396	Brass, Nickel-pl.	Spare part
80	3	Screw	TE51A100	TE51A100	Stainless steel	Spare part
81	1	Motor cover	TE24B348	TE24B348	Stainless steel	Spare part

Please note that some of the polymer parts are in PEEK, which is not resistant to concentrated sulfuric acid.

Configuration according to delivery note/order

*Note: Pos. 16 is not sold as single Spare part component but only as part of a machine maintenance/repair order. For further information please contact Alfa Laval Customer Support.

Alfa Laval Toftejorg SaniJet 20, Air Driven - New Version



4107-0034

Alfa Laval Toftejorg Sanijet 20 Air Driven
Machine design released August 2012: Item numbers TE24Xxxx

Pos	Qty	Denomination	Item no. for 4" version	Item no. for 3" version	Material	Remarks
Toftejorg Sanijet 20, Air Driven, Hastelloy version with improved surface finish (FFKM as standard)						
1	<input type="checkbox"/>	1 Cleaner head 2xø2.0mm	TE24J334	TE24J334	Alloy	Spare part
	<input type="checkbox"/>	1 Cleaner head 2xø3.8mm	TE24J335	TE24J335	Alloy	Spare part
	<input type="checkbox"/>	1 Cleaner head 4xø4.2mm	TE24J336	TE24J336	Alloy	Spare part
2		1 Bearing bush	TE20B554	TE20B554	Polymer	Wear part
3		1 Retaining ring	TE24J552	TE24J552	Alloy	Wear part
4		1 Ball ring N	TE20C361	TE20C361	Polym./titan.	Wear part
5		1 Bevel gear	TE24J550	TE24J550	Alloy	Wear part
6		1 Clip ring	TE24J571	TE24J571	Alloy	Spare part
7		1 Pin	TE24J655	TE24J655	Alloy	Spare part
8		1 Seal ring H	TE20C553	TE20C553	FFKM	Wear part
9		1 Bevel gear	TE24J542	TE24J542	Alloy	Wear part
10		1 Ball ring	TE20C360	TE20C360	Polym./titan.	Wear part
11		1 Ball race	TE24J539	TE24J539	Alloy	Wear part
12	<input type="checkbox"/>	1 Outer tube, L = 350 mm	TE24J310	TE24J310	Alloy	Spare part
	<input type="checkbox"/>	1 Outer tube, L = 500 mm	TE24J311	TE24J311	Alloy	Spare part
	<input type="checkbox"/>	1 Outer tube, L = 700 mm	TE24J312	TE24J312	Alloy	Spare part
	<input type="checkbox"/>	1 Outer tube, L = 1000 mm	TE24J313	TE24J313	Alloy	Spare part
	<input type="checkbox"/>	1 Outer tube, L = 1200 mm	TE24J314	TE24J314	Alloy	Spare part
	<input type="checkbox"/>	1 Outer tube, L = 1500 mm	TE24J315	TE24J315	Alloy	Spare part
13		1 Bearing ring	TE20B510	TE20B510	Polymer	Wear part
14	<input type="checkbox"/>	1 Inner shaft, L = 350 mm	TE24J538	TE24J538	Alloy	Spare part
	<input type="checkbox"/>	1 Inner shaft, L = 500 mm	TE24J532	TE24J532	Alloy	Spare part
	<input type="checkbox"/>	1 Inner shaft, L = 700 mm	TE24J533	TE24J533	Alloy	Spare part
	<input type="checkbox"/>	1 Inner shaft, L = 1000 mm	TE24J534	TE24J534	Alloy	Spare part
	<input type="checkbox"/>	1 Inner shaft, L = 1200 mm	TE24J535	TE24J535	Alloy	Spare part
	<input type="checkbox"/>	1 Inner shaft, L = 1500 mm	TE24J536	TE24J536	Alloy	Spare part
15		1 Plain seal	TE20C511	TE20C511	FFKM	Wear part
16		1 Base housing			Alloy	*Note
17		1 Retaining screw	TE20B512	TE20B512	Stainless steel	Spare part
18		2 Gasket	TE20C516	TE20C516	FFKM	Wear part
19		1 Bearing bush	TE20B514	TE20B514	Polymer	Wear part
20		1 Bearing bush	TE20B513	TE20B513	Polymer	Wear part
21		1 O-ring	TE51T129	FFKM		Wear part
22		1 Plug	TE24J642		Alloy	Spare part
23		1 Bracket	TE24F594		Stainless steel	Spare part
24		3 Screw	TE20E654		Stainless steel	Spare part
59		1 Motor flange welded A	TE24J346	TE24J346	Alloy	Spare part
60		1 Rotor outer complete	TE24J340	TE24J340	Alloy	Spare part
61		1 Inlet housing 1 Tri-clamp	TE24J351	TE24J351	Alloy	Spare part
62		1 Rotor inner w. magnets	TE20B343	TE20B343	Steel	Spare part
63		1 Tubular rivet	TE51C052	TE51C052	Stainless steel	Spare part
64		1 O-ring	TE51T142	TE51T142	Elastomer	Spare part
65		3 Straight connector	TE51U392	TE51U392	Brass, Nickel-pl.	Spare part
66		1 Flow control valve	TE51U395	TE51U395	Brass, Nickel-pl.	Spare part
67		3 L-connector	TE51U393	TE51U393	Brass, Nickel-pl.	Spare part
68		1 Flange for air motor	TE24B557	TE24B557	Polymer	Spare part
69		1 Adapter for air motor	TE24B556	TE24B556	Polymer	Spare part
70		1 Screw	TE51A096	TE51A096	Stainless steel	Spare part
71		1 O-ring	TE51T143	TE51T143	Elastomer	Spare part
72		6 Washer	TE51B013	TE51B013	Stainless steel	Spare part
73		4 Screw	TE51A097	TE51A097	Stainless steel	Spare part
74		1 Wire for grounding	TE24B353	TE24B353	Stainless steel/alu.	Spare part
75		2 Screw	TE51A112	TE51A112	Stainless steel	Spare part
76		2 Air tubing	TE51U397	TE51U397	Polymer	Spare part
77		2 L-connector	TE51U394	TE51U394	Brass, Nickel-pl.	Spare part
78		1 Air motor	TE51U009	TE51U009		Spare part
79		1 Plug	TE51U396	TE51U396	Brass, Nickel-pl.	Spare part
80		3 Screw	TE51A100	TE51A100	Stainless steel	Spare part
81		1 Motor cover	TE24B348	TE24B348	Stainless steel	Spare part

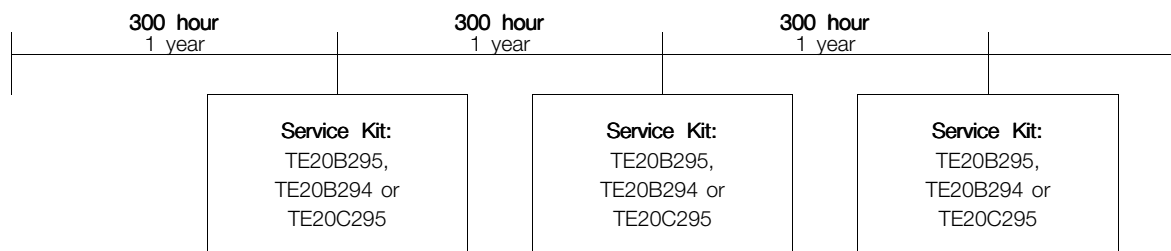
Please note that some of the polymer parts are in PEEK, which is not resistant to concentrated sulfuric acid.

Configuration according to delivery note/order

*Note: Pos. 16 is not sold as single Spare part component but only as part of a machine maintenance/repair order. For further information please contact Alfa Laval Customer Support.

Alfa Laval Toftejorg Sanijet 20 Air Driven
Machine design released August 2012: Item numbers TE24Xxxx

Service intervals



Pos	Qty	Denomination	Item no.
-----	-----	--------------	----------

		Service Kit in EPDM for Toftejorg SaniJet 20 motor driven version (electrical/air)	TE20B295
--	--	--	----------

Consisting of:

13	1	Bearing ring, top	TE20B510
20	1	Bearing bush D1	TE20B513
19	1	Bearing bush D2	TE20B514
15	1	Plain seal S	TE20B511
18	2	Gasket D	TE20B516
8	1	Seal ring H	TE20B553
21	1	O-ring	TE51T127

Pos	Qty	Denomination	Item no.
-----	-----	--------------	----------

		Service Kit in FPM (viton) for Toftejorg SaniJet 20 motor driven version (electrical/air)	TE20B294
--	--	---	----------

Consisting of:

13	1	Bearing ring, top	TE20B510
20	1	Bearing bush D1	TE20B513
19	1	Bearing bush D2	TE20B514
15	1	Plain seal S	TE20B51101
18	2	Gasket D	TE20B51601
8	1	Seal ring H	TE20B55301
21	1	O-ring	TE51T008

Pos	Qty	Denomination	Item no.
-----	-----	--------------	----------

		Service Kit in Perlast for Toftejorg SaniJet 20 motor driven version (electrical/air)	TE20C295
--	--	---	----------

Consisting of:

13	1	Bearing ring, top	TE20B510
20	1	Bearing bush D1	TE20B513
19	1	Bearing bush D2	TE20B514
15	1	Plain seal S	TE20C511
18	2	Gasket D	TE20C516
8	1	Seal ring H	TE20C553
21	1	O-ring	TE51T129

Pos	Qty	Denomination	Item no.
-----	-----	--------------	----------

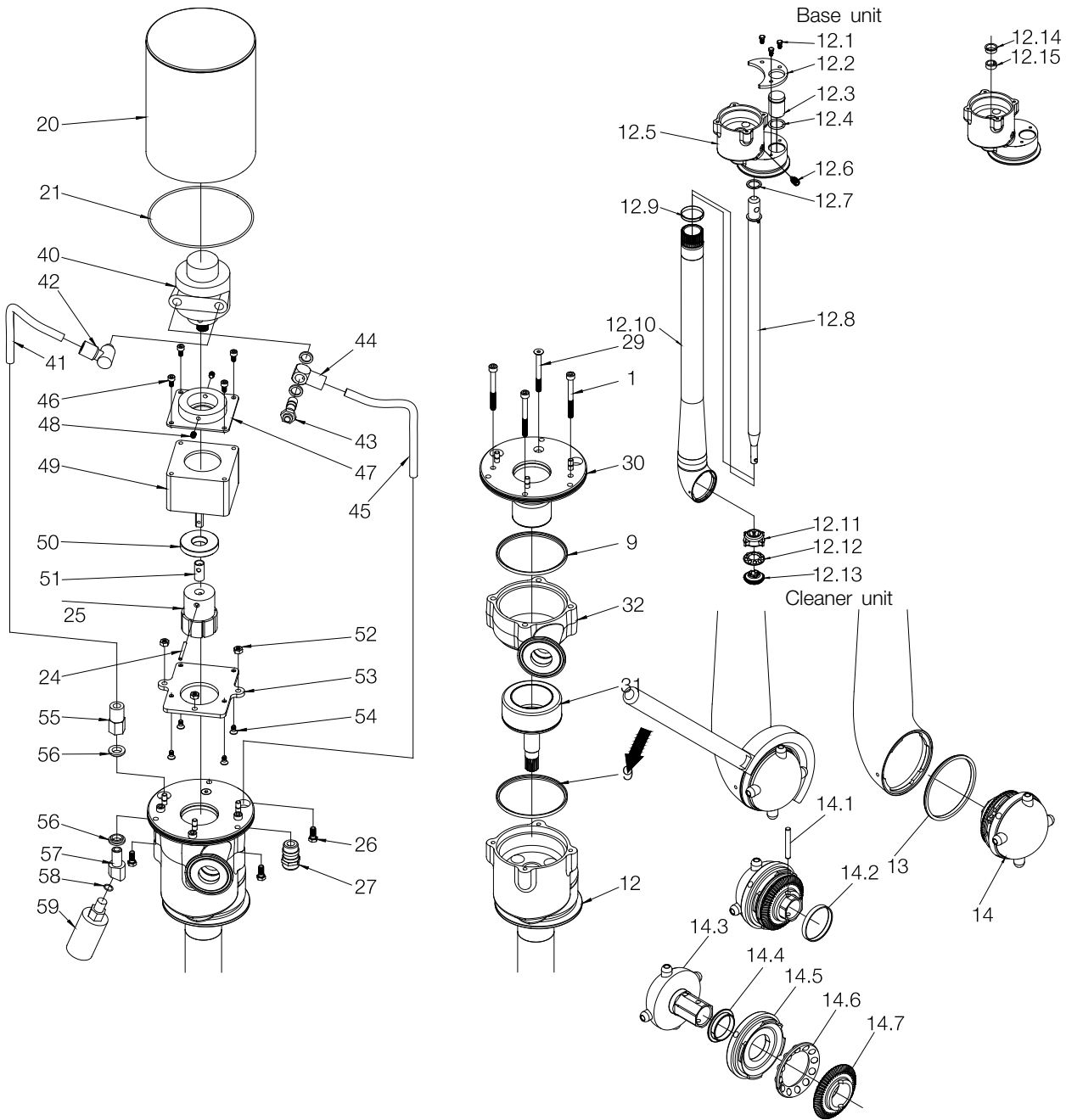
		Tool Set	TE81B099
--	--	----------	----------

Consisting of:

		Socket Wrench w. pin	TE462A
		Hook spanner	TE20B701

Not manufactured anymore

Alfa Laval Toftejorg SaniJet 20 - obsolete design



Alfa Laval Toftejorg Sanijet 20 Air Driven
Machine design obsolete August 2012: Item numbers TE20Xxxx

Reference List of Parts

Toftejorg Sanijet 20, Air Driven (EPDM as standard)

Pos	Qty	Denomination	Item no.	Remark
1	3	Screw , Stainless steel	TE51A146	Spare part
9	□ 2	Gasket, Elastomer	TE20B516	Wear part
	□ 2	Gasket, Elastomer	TE20B51601	Wear part
12	□ 1	Base unit, L = 350 mm, assembly	TE20B309	
	□ 1	Base unit, L = 500 mm, assembly	TE20B300	
	□ 1	Base unit, L = 700 mm, assembly	TE20B301	
	□ 1	Base unit, L = 1000 mm, assembly	TE20B302	
	□ 1	Base unit, L = 1200 mm, assembly	TE20B303	
	□ 1	Base unit, L = 1500 mm, assembly	TE20B304	
	□ 1	Base unit, L = 350 mm, assembly, elastomer	TE20B30901	
	□ 1	Base unit, L = 500 mm, assembly, elastomer	TE20B30001	
	□ 1	Base unit, L = 700 mm, assembly, elastomer	TE20B30101	
	□ 1	Base unit, L = 1000 mm, assembly, elastomer	TE20B30201	
	□ 1	Base unit, L = 1200 mm, assembly, elastomer	TE20B30301	
	□ 1	Base unit, L = 1500 mm, assembly, elastomer	TE20B30401	
12.	3	Screw, Stainless steel	TE51A172	Spare part
12.	1	Bracket, Stainless steel	TE20B594	Spare part
12.	1	Plug, Stainless steel	TE20B642	Spare part
12.	□ 1	O-ring, Elastomer	TE51T127	Wear part
	□ 1	O-ring, Elastomer	TE51T008	Wear part
	□ 1	O-ring, Elastomer	TE51T129	Wear part
12.	1	Base housing, Stainless steel		*Note
12.	1	Retaining screw, Stainless steel	TE20B512	Spare part
12.	□ 1	Plain seal, Elastomer	TE20B511	Wear part
	□ 1	Plain seal, Elastomer	TE20B51101	Wear part
	□ 1	Plain seal, Elastomer	TE20C511	Wear part
12.	□ 1	Inner shaft, L = 350 mm, Stainless steel	TE20B538	Spare part
	□ 1	Inner shaft, L = 500 mm, Stainless steel	TE20B532	Spare part
	□ 1	Inner shaft, L = 700 mm, Stainless steel	TE20B533	Spare part
	□ 1	Inner shaft, L = 1000 mm, Stainless steel	TE20B534	Spare part
	□ 1	Inner shaft, L = 1200 mm, Stainless steel	TE20B535	Spare part
	□ 1	Inner shaft, L = 1500 mm, Stainless steel	TE20B536	Spare part
12.	1	Bearing ring, Polymer	TE20B510	Wear part
12.	□ 1	Outer tube, L = 350 mm, Stainless steel	TE20B310	Spare part
	□ 1	Outer tube, L = 500 mm, Stainless steel	TE20B311	Spare part
	□ 1	Outer tube, L = 700 mm, Stainless steel	TE20B312	Spare part
	□ 1	Outer tube, L = 1000 mm, Stainless steel	TE20B313	Spare part
	□ 1	Outer tube, L = 1200 mm, Stainless steel	TE20B314	Spare part
	□ 1	Outer tube, L = 1500 mm, Stainless steel	TE20B315	Spare part
12.	1	Ball race, Stainless steel	TE20B539	Wear part
12.	1	Ball ring, Polymer/Stainless steel	TE20B360**	Wear part
12.	1	Bevel gear, Stainless steel	TE20B542	Wear part
12.	1	Bearing bush, Polymer	TE20B513	Wear part
12.	1	Bearing bush, Polymer	TE20B514	Wear part
13	□ 1	Seal ring H, Elastomer	TE20B553	Wear part
	□ 1	Seal ring H, Elastomer	TE20B55301	Wear part
	□ 1	Seal ring H, Elastomer	TE20C553	Wear part
14	□ 1	Cleaner unit, 2xø2.0mm, assembly	TE20B324	
	□ 1	Cleaner unit, 2xø3.8mm, assembly	TE20B325	
	□ 1	Cleaner unit, 4xø4.2mm, assembly	TE20B326	
14.	1	Pin, Stainless steel	TE51C003	Spare part
14.	1	Clip ring, Stainless steel	TE20B571	Spare part
14.	□ 1	Cleaner head 2xø2.0mm, Stainless steel	TE20B334	Spare part
	□ 1	Cleaner head 2xø3.8mm, Stainless steel	TE20B335	Spare part
	□ 1	Cleaner head 4xø4.2mm, Stainless steel	TE20B336	Spare part
14.	1	Bearing bush, Polymer	TE20B554	Wear part
14.	1	Retaining ring, Stainless steel	TE20B552	Wear part
14.	1	Ball ring N, Polymer/Stainless steel	TE20B361	Wear part
14.	1	Bevel gear, Stainless steel	TE20B550	Wear part
20	1	Motor cover, Stainless steel	TE20B347	Spare part
21	1	O-ring, Elastomer	TE51T125	Spare part
24	1	Tubular rivet, Stainless steel	TE51C052	Spare part
25	1	Rotor inner w. magnets, Steel	TE20B343	Spare part

Alfa Laval Toftejorg Sanijet 20 Air Driven
Machine design obsolete August 2012: Item numbers TE20Xxxx

26	3	Screw, Stainless steel	TE51A189	Spare part
27	1	Metal cable gland, PG9, Brass, Nickel-pl.	TE51U310	Spare part
29	1	Screw, Stainless steel	TE51A057	Spare part

Please note that some of the polymer parts are in PEEK, which is not resistant to concentrated sulfuric acid.

*Note: Pos. 12.5 is not sold as single Spare part component but only as part of a machine maintenance/repair order. For further information please contact Alfa Laval Customer Support.

**Note: Special Polymer/Titanium version available for e.g. WFI application - Item# TE20B364.

Continues next page ...

Alfa Laval Toftejorg Sanijet 20 Air Driven
Machine design obsolete August 2012: Item numbers TE20Xxxx

30	1	Motor flange welded A, Stainless steel	TE20B345	Spare part
31	1	Rotor outer complete, Stainless steel/steel	TE20B340	Spare part
32	1	Inlet housing 1 Tri-clamp, Stainless steel	TE20B351	Spare part
40	1	Air motor , assembly	TE20B390	
41	1	Air tubing, PU, 230mm	TE51U305	Spare part
42	1	Swivel push-in elbow, Brass, Nickel-pl.	TE51U388	Spare part
43	1	Flow regulator f. banjo fitting, Brass, Nickel-pl.	TE51U008	Spare part
44	1	Banjo fitting, push-in , Brass, Nickel-pl.	TE51U384	Spare part
45	0	Air tubing, PU - Customer Supply	(TE51U305)	Spare part
46	4	Screw, Stainless steel	TE51A098	Spare part
47	1	Connector flange, Stainless steel	TE20B637	Spare part
48	2	Pointed screw , Stainless steel	TE51A018	Spare part
49	1	Gear box 1:100 f. Air motor, assembly	TE20B636	
50	1	Guide ring, Stainless steel	TE20B633	Spare part
51	1	Bush f. Rotor Air motor, Stainless steel	TE20B631	Spare part
52	3	Nut, Stainless steel	TE51A504	Spare part
53	1	Flange for gear, Stainless steel	TE20B634	Spare part
54	4	Screw , Stainless steel	TE51A049	Spare part
55	1	Straight connector, push-in, Brass, Nickel-pl.	TE51U387	Spare part
56	2	Seal ring, Polymer - black	TE20B645	Spare part
57	1	Adapter f. Silencer, Stainless steel	TE20B644	Spare part
58	1	O-ring, Elastomer	TE51T041	Spare part
59	1	Silencer incl. in Air motor	(TE51U005)	Spare part

Please note that some of the polymer parts are in PEEK, which is not resistant to concentrated sulfuric acid.

*Note: Pos. 12.5 is not sold as single Spare part component but only as part of a machine maintenance/repair order. For further information please contact Alfa Laval Customer Support.

**Note: Special Polymer/Titanium version available for e.g. WFI application - Item# TE20B364.

Alfa Laval Toftejorg Sanijet 20 Air Driven
Machine design obsolete August 2012: Item numbers TE20Xxxx

Reference List of Parts

Toftejorg SaniJet 20, Air Driven with improved surface finish (EPDM as standard)

Pos	Qty	Denomination	Item no.	Remark
1	3	Screw , Stainless steel	TE51A146	Spare part
9	□ 2	Gasket, Elastomer	TE20B516	Wear part
	□ 2	Gasket, Elastomer	TE20B51601	Wear part
	□ 2	Gasket, Elastomer	TE20C516	Wear part
12	□ 1	Base unit, L = 350 mm, assembly	TE20E309	
	□ 1	Base unit, L = 500 mm, assembly	TE20E300	
	□ 1	Base unit, L = 700 mm, assembly	TE20E301	
	□ 1	Base unit, L = 1000 mm, assembly	TE20E302	
	□ 1	Base unit, L = 1200 mm, assembly	TE20E303	
	□ 1	Base unit, L = 1500 mm, assembly	TE20E304	
	□ 1	Base unit, L = 350 mm, assembly, elastomer	TE20E30901	
	□ 1	Base unit, L = 500 mm, assembly, elastomer	TE20E30001	
	□ 1	Base unit, L = 700 mm, assembly, elastomer	TE20E30101	
	□ 1	Base unit, L = 1000 mm, assembly, elastomer	TE20E30201	
	□ 1	Base unit, L = 1200 mm, assembly, elastomer	TE20E30301	
	□ 1	Base unit, L = 1500 mm, assembly, elastomer	TE20E30401	
	□ 1	Base unit, L = 350 mm, assembly, elastomer	TE20E30904	
	□ 1	Base unit, L = 500 mm, assembly, elastomer	TE20E30004	
	□ 1	Base unit, L = 700 mm, assembly, elastomer	TE20E30104	
	□ 1	Base unit, L = 1000 mm, assembly, elastomer	TE20E30204	
	□ 1	Base unit, L = 1200 mm, assembly, elastomer	TE20E30304	
	□ 1	Base unit, L = 1500 mm, assembly, elastomer	TE20E30404	
12.	3	Screw, Stainless steel	TE20E654	Spare part
12.	1	Bracket, Stainless steel	TE20E594	Spare part
12.	1	Plug, Stainless steel	TE20E642	Spare part
12.	1	O-ring, Elastomer	TE51T127	Wear part
12.	1	Base housing, Stainless steel		*Note
12.	1	Retaining screw, Stainless steel	TE20B512	Spare part
12.	1	Plain seal, Elastomer	TE20B511	Wear part
	1	Plain seal, Elastomer	TE20B51101	Wear part
	1	Plain seal, Elastomer	TE20C511	Wear part
12.	□ 1	Inner shaft, L = 350 mm, Stainless steel	TE20E538	Spare part
	□ 1	Inner shaft, L = 500 mm, Stainless steel	TE20E532	Spare part
	□ 1	Inner shaft, L = 700 mm, Stainless steel	TE20E533	Spare part
	□ 1	Inner shaft, L = 1000 mm, Stainless steel	TE20E534	Spare part
	□ 1	Inner shaft, L = 1200 mm, Stainless steel	TE20E535	Spare part
	□ 1	Inner shaft, L = 1500 mm, Stainless steel	TE20E536	Spare part
12.	1	Bearing ring, Polymer	TE20B510	Wear part
12.	□ 1	Outer tube, L = 350 mm, Stainless steel	TE20E310	Spare part
	□ 1	Outer tube, L = 500 mm, Stainless steel	TE20E311	Spare part
	□ 1	Outer tube, L = 700 mm, Stainless steel	TE20E312	Spare part
	□ 1	Outer tube, L = 1000 mm, Stainless steel	TE20E313	Spare part
	□ 1	Outer tube, L = 1200 mm, Stainless steel	TE20E314	Spare part
	□ 1	Outer tube, L = 1500 mm, Stainless steel	TE20E315	Spare part
12.	1	Ball race, Stainless steel	TE20E539	Wear part
12.	1	Ball ring, Polymer/Stainless steel	TE20B360**	Wear part
12.	1	Bevel gear, Stainless steel	TE20E542	Wear part
12.	1	Bearing bush, Polymer	TE20B513	Wear part
12.	1	Bearing bush, Polymer	TE20B514	Wear part
13	1	Seal ring H, Elastomer	TE20B553	Wear part
	1	Seal ring H, Elastomer	TE20B55301	Wear part
	1	Seal ring H, Elastomer	TE20C553	Wear part
14	□ 1	Cleaner unit, 2xø2.0mm, assembly	TE20E324	
	□ 1	Cleaner unit, 2xø3.8mm, assembly	TE20E325	
	□ 1	Cleaner unit, 4xø4.2mm, assembly	TE20E326	
14.	1	Pin, Stainless steel	TE20E572	Spare part
14.	1	Clip ring, Stainless steel	TE20E571	Spare part
14.	□ 1	Cleaner head 2xø2.0mm, Stainless steel	TE20E334	Spare part
	□ 1	Cleaner head 2xø3.8mm, Stainless steel	TE20E335	Spare part
	□ 1	Cleaner head 4xø4.2mm, Stainless steel	TE20E336	Spare part
14.	1	Bearing bush, Polymer	TE20B554	Wear part
14.	1	Retaining ring, Stainless steel	TE20E552	Wear part
14.	1	Ball ring N, Polymer/Stainless steel	TE20B361	Wear part
14.	1	Bevel gear, Stainless steel	TE20E550	Wear part
20	1	Motor cover, Stainless steel	TE20B347	Spare part

Alfa Laval Toftejorg Sanijet 20 Air Driven
Machine design obsolete August 2012: Item numbers TE20Xxxx

21	1	O-ring, Elastomer	TE51T125	Spare part
24	1	Tubular rivet, Stainless steel	TE51C052	Spare part
25	1	Rotor inner w. magnets, Steel	TE20B343	Spare part

Please note that some of the polymer parts are in PEEK, which is not resistant to concentrated sulfuric acid.

*Note: Pos. 12.5 is not sold as single Spare part component but only as part of a machine maintenance/repair order. For further information please contact Alfa Laval Customer Support.

**Note: Special Polymer/Titanium version available for e.g. WFI application - Item# TE20B364.

Continues next page ...

Alfa Laval Toftejorg Sanijet 20 Air Driven
Machine design obsolete August 2012: Item numbers TE20Xxxx

26	3	Screw, Stainless steel	TE51A189	Spare part
27	1	Metal cable gland, PG9, Brass, Nickel-pl.	TE51U310	Spare part
29	1	Screw, Stainless steel	TE51A057	Spare part
30	1	Motor flange welded A, Stainless steel	TE20B345	Spare part
31	1	Rotor outer complete, Stainless steel/steel	TE20B340	Spare part
32	1	Inlet housing 1 Tri-clamp, Stainless steel	TE20B351	Spare part
40	1	Air motor , assembly.	TE20B390	
41	1	Air tubing, PU, 230mm	TE51U305	Spare part
42	1	Swivel push-in elbow, Brass, Nickel-pl.	TE51U388	Spare part
43	1	Flow regulator f. banjo fitting, Brass, Nickel-pl.	TE51U008	Spare part
44	1	Banjo fitting, push-in , Brass, Nickel-pl.	TE51U384	Spare part
45	0	Air tubing, PU - Customer Supply	(TE51U305)	Spare part
46	4	Screw, Stainless steel	TE51A098	Spare part
47	1	Connector flange, Stainless steel	TE20B637	
48	2	Pointed screw , Stainless steel	TE51A018	Spare part
49	1	Gear box 1:100 f. Air motor, assembly.	TE20B636	
50	1	Guide ring, Stainless steel	TE20B633	Spare part
51	1	Bush f. Rotor Air motor, Stainless steel	TE20B631	Spare part
52	3	Nut, Stainless steel	TE51A504	Spare part
53	1	Flange for gear, Stainless steel	TE20B634	Spare part
54	4	Screw , Stainless steel	TE51A049	Spare part
55	1	Straight connector, push-in, Brass, Nickel-pl.	TE51U387	Spare part
56	2	Seal ring, Polymer - black	TE20B645	Spare part
57	1	Adapter f. Silencer, Stainless steel	TE20B644	Spare part
58	1	O-ring, Elastomer	TE51T041	Spare part
59	1	Silencer incl. in Air motor	(TE51U005)	Spare part

Please note that some of the polymer parts are in PEEK, which is not resistant to concentrated sulfuric acid.

*Note: Pos. 12.5 is not sold as single Spare part component but only as part of a machine maintenance/repair order. For further information please contact Alfa Laval Customer Support.

**Note: Special Polymer/Titanium version available for e.g. WFI application - Item# TE20B364.

Alfa Laval Toftejorg Sanijet 20 Air Driven
Machine design obsolete August 2012: Item numbers TE20Xxxx

Reference List of Parts

Toftejorg Sanijet 20, Air Driven, Hastelloy Version (FFKM as standard)

Pos	Qty	Denomination	Item no.	Remark
1	3	Screw , Stainless steel	TE51A146	Spare part
9	2	Gasket, Elastomer	TE20C516	Wear part
12	□	1 Base unit, L = 350 mm, assembly	TE20C309	
	□	1 Base unit, L = 500 mm, assembly	TE20C300	
	□	1 Base unit, L = 700 mm, assembly	TE20C301	
	□	1 Base unit, L = 1000 mm, assembly	TE20C302	
	□	1 Base unit, L = 1200 mm, assembly	TE20C303	
	□	1 Base unit, L = 1500 mm, assembly	TE20C304	
12.1	3	Screw, Stainless steel	TE51A172	Spare part
12.2	1	Bracket, Stainless steel	TE20B594	Spare part
12.3	1	Plug, Alloy	TE20C642	Spare part
12.4	1	O-ring, Elastomer	TE51T129	Wear part
12.5	1	Base housing, Alloy		*Note
12.6	1	Retaining screw, Stainless steel	TE20B512	Spare part
12.7	1	Plain seal, Elastomer	TE20C511	Wear part
12.8	□	1 Inner shaft, L = 350 mm, Alloy	TE20C538	Spare part
	□	1 Inner shaft, L = 500 mm, Alloy	TE20C532	Spare part
	□	1 Inner shaft, L = 700 mm, Alloy	TE20C533	Spare part
	□	1 Inner shaft, L = 1000 mm, Alloy	TE20C534	Spare part
	□	1 Inner shaft, L = 1200 mm, Alloy	TE20C535	Spare part
	□	1 Inner shaft, L = 1500 mm, Alloy	TE20C536	Spare part
12.9	1	Bearing ring, Polymer	TE20B510	Wear part
12.10	□	1 Outer tube, L = 350 mm, Alloy	TE20C310	Spare part
	□	1 Outer tube, L = 500 mm, Alloy	TE20C311	Spare part
	□	1 Outer tube, L = 700 mm, Alloy	TE20C312	Spare part
	□	1 Outer tube, L = 1000 mm, Alloy	TE20C313	Spare part
	□	1 Outer tube, L = 1200 mm, Alloy	TE20C314	Spare part
	□	1 Outer tube, L = 1500 mm, Alloy	TE20C315	Spare part
12.11	1	Ball race, Alloy	TE20C539	Wear part
12.12	1	Ball ring, Polymer/alloy	TE20C360	Wear part
12.13	1	Bevel gear, Alloy	TE20C542	Wear part
12.14	1	Bearing bush, Polymer	TE20B513	Spare part
12.15	1	Bearing bush, Polymer	TE20B514	Wear part
13	1	Seal ring H, Elastomer	TE20C553	Wear part
14	□	1 Cleaner unit, 2xø2.0mm, assembly	TE20C324	
	□	1 Cleaner unit, 2xø3.8mm, assembly	TE20C325	
	□	1 Cleaner unit, 4xø4.2mm, assembly	TE20C326	
14.1	1	Pin, Alloy	TE20C655	Spare part
14.2	1	Clip ring, Alloy	TE20C571	Spare part
14.3	□	1 Cleaner head 2xø2.0mm, Alloy	TE20C334	Spare part
	□	1 Cleaner head 2xø3.8mm, Alloy	TE20C335	Spare part
	□	1 Cleaner head 4xø4.2mm, Alloy	TE20C336	Spare part
14.4	1	Bearing bush, Polymer	TE20B554	Wear part
14.5	1	Retaining ring, Alloy	TE20C552	Wear part
14.6	1	Ball ring N, Polymer/Alloy	TE20C361	Wear part
14.7	1	Bevel gear, Alloy	TE20C550	Wear part
20	1	Motor cover, Stainless steel	TE20B347	Spare part
21	1	O-ring, Elastomer	TE51T125	Spare part
24	1	Tubular rivet, Stainless steel	TE51C052	Spare part
25	1	Rotor inner w. magnets, Steel	TE20B343	Spare part
26	3	Screw, Stainless steel	TE51A189	Spare part
27	1	Metal cable gland, PG9, Brass, Nickel-pl.	TE51U310	Spare part
29	1	Screw, Stainless steel	TE51A057	Spare part
30	1	Motor flange, Alloy	TE20C345	Spare part
31	1	Rotor outer,	TE20C340	Spare part
32	1	Inlet housing 1 Tri-clamp, Alloy	TE20C351	Spare part
40	1	Air motor , assembly	TE20B390	
41	1	Air tubing, PU, 230mm	TE51U305	Spare part
42	1	Swivel push-in elbow, Brass, Nickel-pl.	TE51U388	Spare part
43	1	Flow regulator f. banjo fitting, Brass, Nickel-pl.	TE51U008	Spare part
44	1	Banjo fitting, push-in , Brass, Nickel-pl.	TE51U384	Spare part
46	4	Screw, Stainless steel	TE51A098	Spare part
47	1	Connector flange, Stainless steel	TE20B637	Spare part

Alfa Laval Toftejorg Sanijet 20 Air Driven
Machine design obsolete August 2012: Item numbers TE20Xxxx

48	2	Pointed screw , Stainless steel	TE51A018	Spare part
49	1	Gear box 1:100 f. Air motor, assembly	TE20B636	
50	1	Guide ring, Stainless steel	TE20B633	Spare part
51	1	Bush f. Rotor Air motor, Stainless steel	TE20B631	Spare part

Continues next page ...

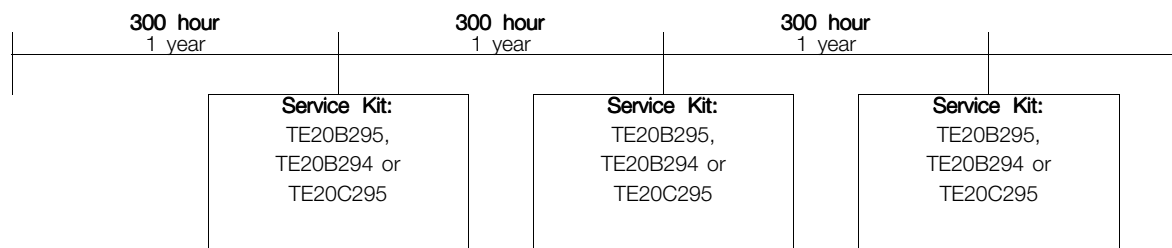
Alfa Laval Toftejorg Sanijet 20 Air Driven
Machine design obsolete August 2012: Item numbers TE20Xxxx

52	3	Nut, Stainless steel	TE51A504	Spare part
53	1	Flange for gear, Stainless steel	TE20B634	Spare part
54	4	Screw , Stainless steel	TE51A049	Spare part
55	1	Straight connector, push-in, Brass, Nickel-pl.	TE51U387	Spare part
56	2	Seal ring, Polymer - black	TE20B645	Spare part
57	1	Adapter f. Silencer, Stainless steel	TE20B644	Spare part
58	1	O-ring, Elastomer	TE51T041	Spare part
59	1	Silencer incl. in Air motor	(TE51U005)	Spare part

Please note that some of the polymer parts are in PEEK, which is not resistant to concentrated sulfuric acid.

*Note: Pos. 12.5 is not sold as single Spare part component but only as part of a machine maintenance/repair order. For further information please contact Alfa Laval Customer Support.

Service intervals



Pos	Qty	Denomination	Item no.
		Service Kit in EPDM for Toftejorg SaniJet 20 motor driven version (electrical/air)	TE20B295

Consisting of:

12. 9	1	Bearing ring, top	TE20B510
12. 14	1	Bearing bush D1	TE20B513
12. 15	1	Bearing bush D2	TE20B514
12. 7	1	Plain seal S	TE20B511
9	2	Gasket D	TE20B516
13	1	Seal ring H	TE20B553
12. 4	1	O-ring	TE51T127

Pos	Qty	Denomination	Item no.
		Service Kit in FPM (viton) for Toftejorg SaniJet 20 motor driven version (electrical/air)	TE20B294

Consisting of:

12. 9	1	Bearing ring, top	TE20B510
12. 14	1	Bearing bush D1	TE20B513
12. 15	1	Bearing bush D2	TE20B514
12. 7	1	Plain seal S	TE20B51101
9	2	Gasket D	TE20B51601
13	1	Seal ring H	TE20B55301
12. 4	1	O-ring	TE51T008

Pos	Qty	Denomination	Item no.
		Service Kit in Perlast for Toftejorg SaniJet 20 motor driven version (electrical/air)	TE20C295

Consisting of:

12. 9	1	Bearing ring, top	TE20B510
12. 14	1	Bearing bush D1	TE20B513
12. 15	1	Bearing bush D2	TE20B514
12. 7	1	Plain seal S	TE20C511
9	2	Gasket D	TE20C516
13	1	Seal ring H	TE20C553
12. 4	1	O-ring	TE51T129

Pos	Qty	Denomination	Item no.
		Tool Set	TE81B099
Consisting of:			
		Socket Wrench w. pin	TE462A
		Hook spanner	TE20B701

How to contact Alfa Laval

Contact details for all countries are continually updated on our website.

Please visit www.alfalaval.com to access the information directly.

© Alfa Laval Corporate AB

This document and its contents is owned by Alfa Laval Corporate AB and protected by laws governing intellectual property and thereto related rights. It is the responsibility of the user of this document to comply with all applicable intellectual property laws. Without limiting any rights related to this document, no part of this document may be copied, reproduced or transmitted in any form or by any means (electronic, mechanical, photocopying, recording, or otherwise), or for any purpose, without the expressed permission of Alfa Laval Corporate AB. Alfa Laval Corporate AB will enforce its rights related to this document to the fullest extent of the law, including the seeking of criminal prosecution.