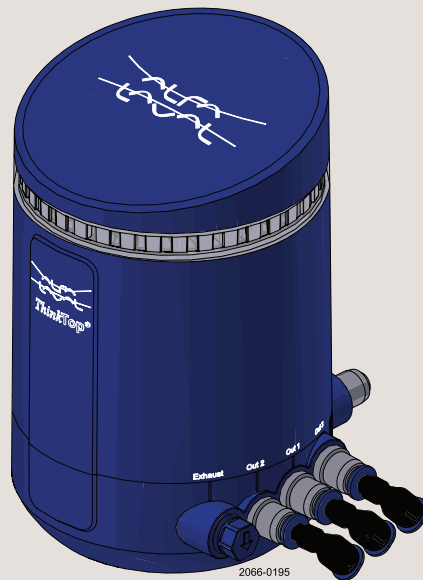




Spare Parts

ThinkTop V70



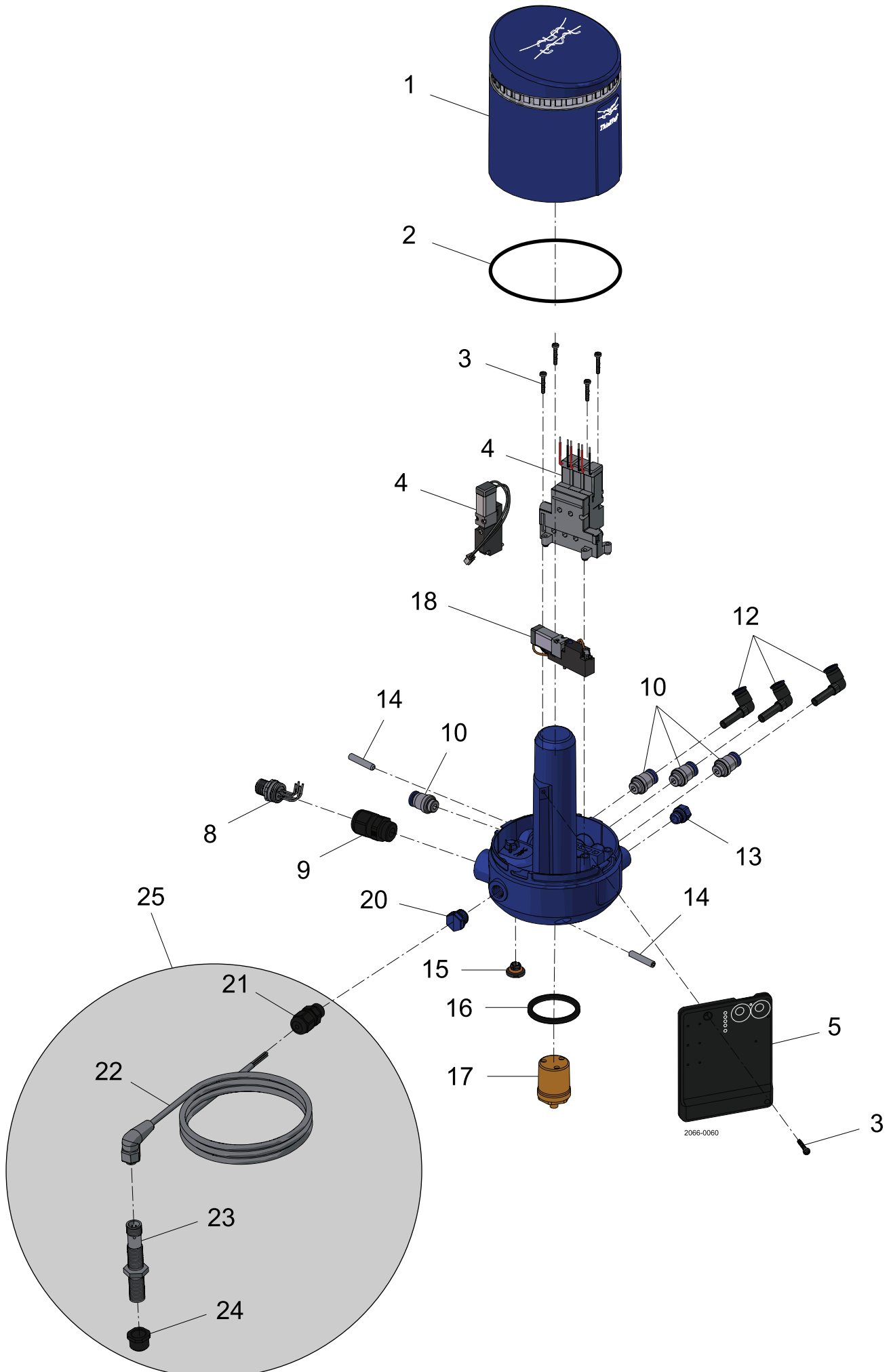
100010074-EN1

2023-04

Original manual

The information herein is correct at the time of issue but may be subject to change without prior notice

1. ThinkTop V70 Series	4
------------------------------	---



25 NOTE: Can be found in the Product Catalogue "Close at hand", under accessories.

Pos	Qty	Denomination	
70 Series			
1	1	Cover	9615376401
2	1	V-ring	9615451401
3	5	Screw, Torx 10	9611996072
4	1	Manifold assembly complete, 3x3/2	9615395301
	1	Manifold assembly complete, 2x3/2	9615395401
	1	Manifold assembly complete, 1x3/2	9615395501
	1	Solenoid valve, 1x3/2	9615395701
5	1	Control board, 24V Digital	9615394501
	1	Control board, AS-I 2.11 (31 node)	9615394601
	1	Control board, AS-I 3.0 (62 node)	9615394701
	1	Control board, IO-Link	9615394801
8		M12 plug, AS-I, 4 pins/2 wires, Hex 17	Please see note
		M12 plug, IO-Link, 4 pins/3 wires, Hex 17	Please see note
		M12 plug, DIO, 8 pins/8 wires, Hex 17 (- Feb.2020)	Please see note
		M12 plug, DIO, 12 pins/10 wires, Hex 17 (Feb.2020 -)	Please see note
9	1	Cable gland, Main entry, Ø4-10mm, Hex 19	Please see note
9.1	1	Cable gland, Main entry, AS-I, Ø3,5-7mm, Hex 19	Please see note
10	4	Air fitting, straight, Ø6mm, Hex 4	Please see note
	4	Air fitting, straight, 1/4", Hex 5	Please see note
12	3	Air fitting, elbow, Ø6mm	Please see note
	3	Air fitting, elbow, 1/4"	Please see note
13	1	Exhaust plug, Hex 12	9615389001
14	2	Set screw, Hex 2,5	9611996070
15	1	Gore vent	9611996065
16	1	X-ring	9612569601
17	1	Sensor target	9615397601
18	1	Manifold assembly complete, 1x5/2	9615395601
20	1	Blind plug, M12x1,5, Hex 14	9615388901
21	1	Cable gland, seat lift sensor, M12x1,5	Please see note
22	1	Cable for seat lift sensor	Please see note
23	1	Seat lift sensor	Please see note
24	1	Bushing	9614257508
25	1	Seat lift sensor kit, Pos. 21, 22, 23 and 24	Please see note

NOTE: Further information can be found in the product catalogue "Close at Hand", under accessories.

(900730/3)

How to contact Alfa Laval

Contact details for all countries are continually updated on our website.

Please visit www.alfalaval.com to access the information directly.

© Alfa Laval Corporate AB

This document and its contents is owned by Alfa Laval Corporate AB and protected by laws governing intellectual property and thereto related rights. It is the responsibility of the user of this document to comply with all applicable intellectual property laws. Without limiting any rights related to this document, no part of this document may be copied, reproduced or transmitted in any form or by any means (electronic, mechanical, photocopying, recording, or otherwise), or for any purpose, without the expressed permission of Alfa Laval Corporate AB. Alfa Laval Corporate AB will enforce its rights related to this document to the fullest extent of the law, including the seeking of criminal prosecution.