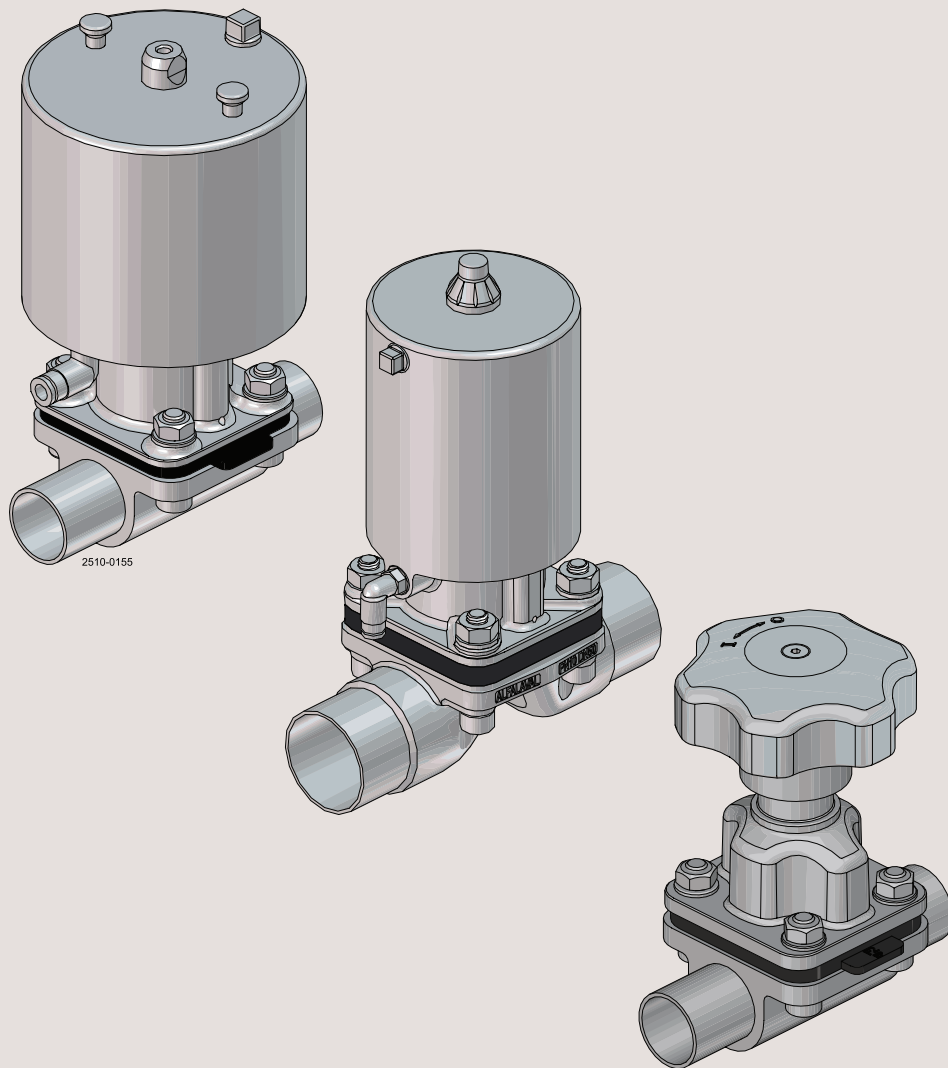




Spare Parts

Unique DV-ST UltraPure



100018465/ESE02017-EN23

2024-07

Original manual

The information herein is correct at the time of issue but may be subject to change without prior notice

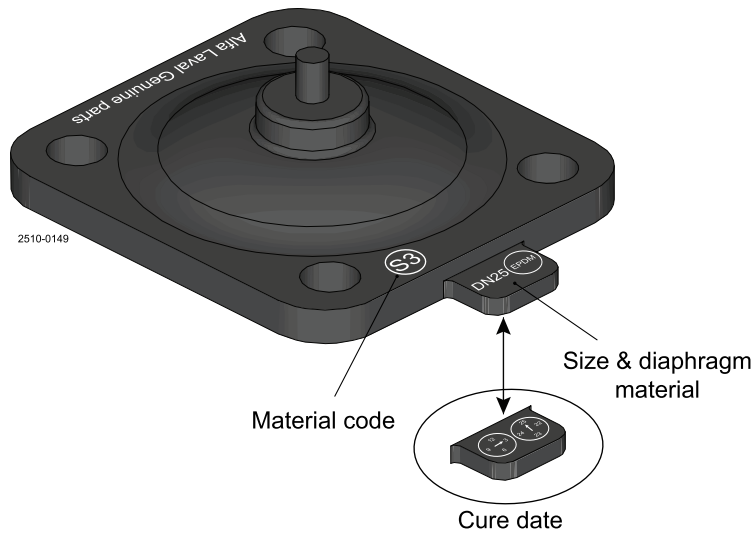
1. How to identify spare parts via diaphragm tab	4
2. Actuator	6
3. Handles	10

1 How to identify spare parts via diaphragm tab

Alfa Laval cast valve bodies with optimized flow utilize smaller diaphragm and topwork vs. valve pipe dimension. Topwork being either pneumatic or manual. This giving the benefit of having a slim and light weight valve.

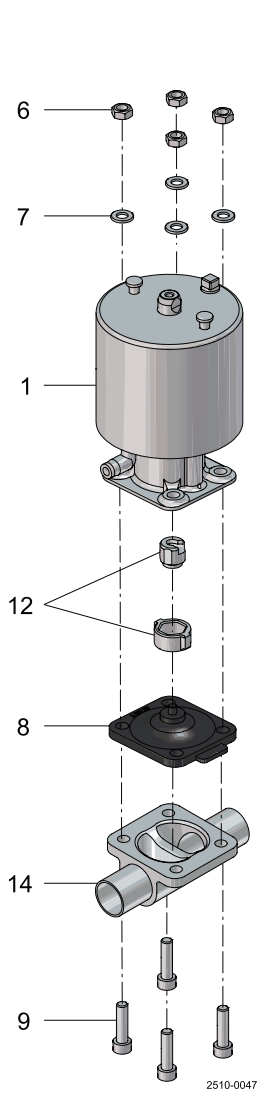
Correct spare parts are easy to identify via the diaphragm tab, stating the giving size of diaphragm and topwork to be used on the valve. See image below

Alfa Laval EPDM diaphragm

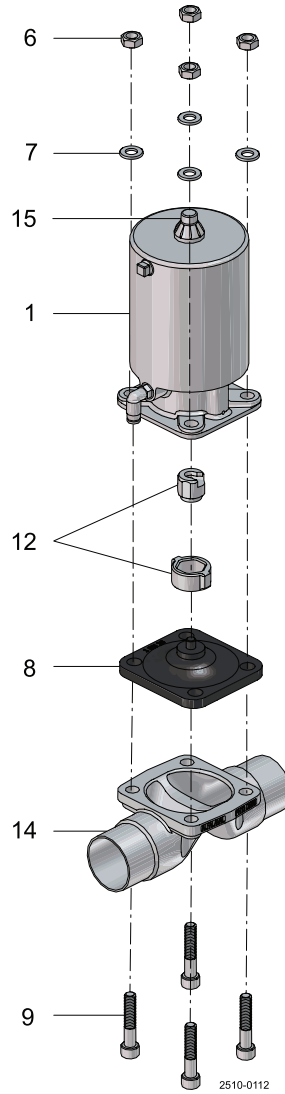


Alfa Laval PTFE/EPDM





**High pressure actuator
(SS/HP)**



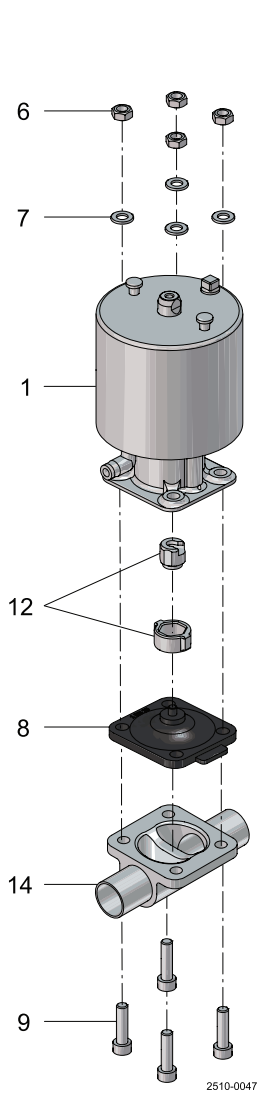
**Slim actuator
(SS/SL)**

Actuator

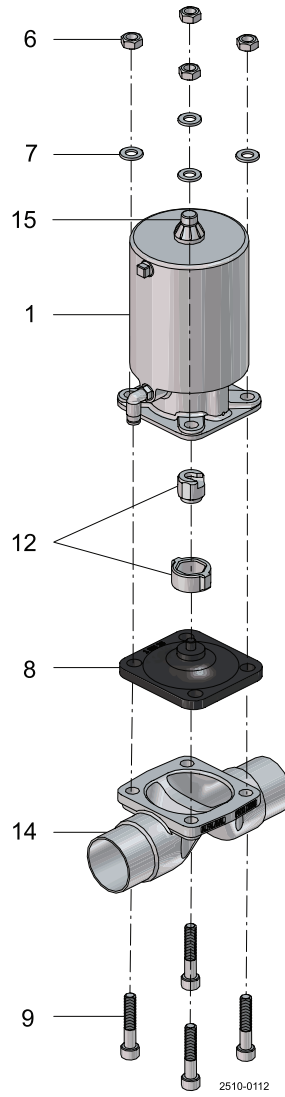
Pos	Qty	Denomination	DN8 - 1/4"	DN15 - 1/2"	DN20 - 3/4"	
			*DN10 - 3/8"			
1	1	Actuator, DV-ST SS/SL NC	8010004499	8010004505	8010004508	
	1	Actuator, DV-ST SS/SL NO	8010004500	8010004506	8010004509	
	1	Actuator, DV-ST SS/SL A/A	8010004501	8010004507	8010004510	
	1	Actuator, DV-ST SS/HP NC DN8-DN10 for 2-way valves	9615299901			
	1	Actuator, DV-ST SS/HP NO DN8-DN10 for 2-way valves	9615299902			
	1	Actuator, DV-ST SS/HP A/A DN8-DN10 for 2-way valves	9615299903			
	1	Actuator, DV-ST SS/HP NC DN8-DN10 for T-, TO- and block valves	9615299907			
	1	Actuator, DV-ST SS/HP NO DN8-DN10 for T-, TO- and block valves	9615299908			
	1	Actuator, DV-ST SS/HP A/A DN8-DN10 for T-, TO- and block valves	9615299909			
	1	Actuator, DV-ST SS/HP NC		9615300001	9615303201	
	1	Actuator, DV-ST SS/HP NO		9615300002	9615303202	
	1	Actuator, DV-ST SS/HP A/A		9615300003	9615303203	
	15	1	Indication cap kit for SS/SL	8010008655	8010008656	8010008657
	8	1	Diaphragm, EPDM (button)	9615000101	9615000103	9615000104
		1	Diaphragm, PTFE/EPDM (bayonet)	N/A	9615000154	9615000155
1		Diaphragm, TFM/EPDM (bayonet)	N/A	9615000136	9615000137	
1		Diaphragm, TFM/EPDM Point-fixed**	9615000134	9615005270	9615005271	
9+6 +7	1	Nut, washer, screw set, SS/HP actuator				
	1	for 2-way valve forged	9615353601	9615353603	9615353603	
	1	For 2-way valve cast ST	8010008661	9615353603	9615353602	
	1	For 2-way valve cast OP	8010008661	8010008661	9615353603	
	1	For T-, TO- and block valve	9615353609	9615353611	9615353611	
	1	Nut, washer, screw set, SS/SL actuator				
	1	For 2-way valve forged	9615353601	9615353603	9615353603	
	1	For 2-way valve cast ST	8010008661	9615353603	9615353603	
	1	For 2-way valve cast OP	8010008661	8010008661	9615353603	
	1	For T-, TO- and block valve	9615353609	9615353611	9615353611	
	Compressor kit					
	12	1	Button	9614278701	9615005184	9615005186
		1	Bayonet	N/A	9615005203	9615005205
		1	Thread	N/A	9615005204	9615005206
14	1	Valve body, please contact Alfa Laval				

* For valves DN10 please check marking on diaphragm for actual actuator size of the diaphragm (DN8 or DN15)..
For T-valve select actuator size based on outlet dimension.

** = Compressor kit: Button for DN 8, Thread for DN15-DN20



**High pressure actuator
(SS/HP)**



**Slim actuator
(SS/SL)**

Actuator

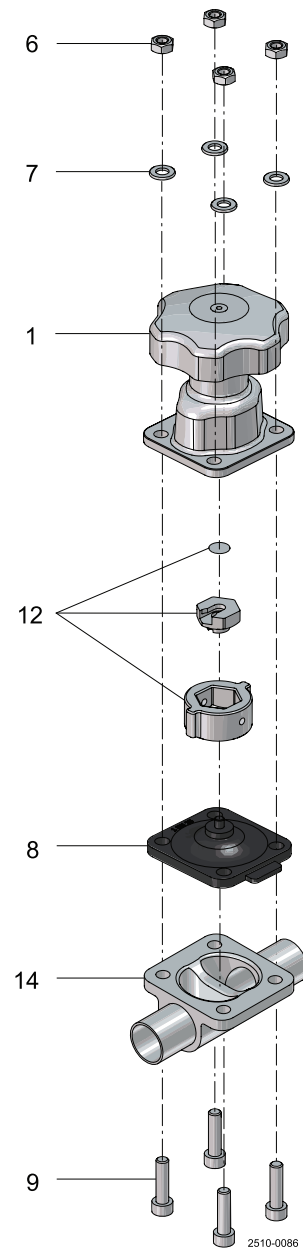
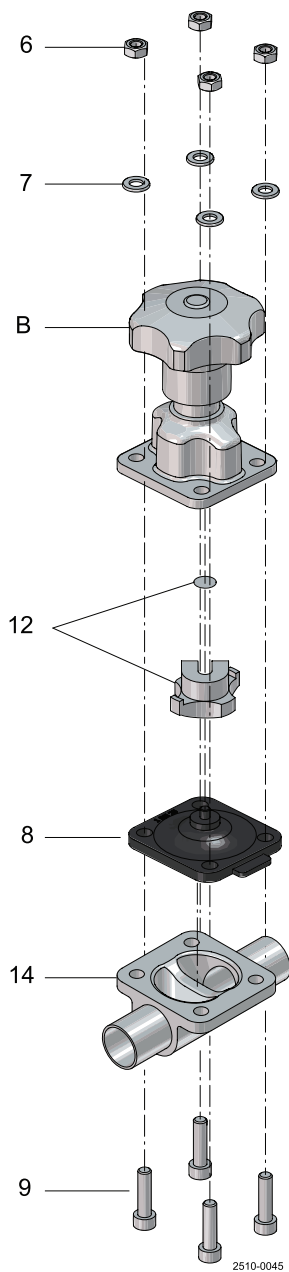
Pos	Qty	Denomination	DN25 - 1"	*DN32 - 1 1/4"		DN50 - 2"	DN65 - 2 1/2"	DN80 - 3"	
			*DN32 - 1 1/4"	DN40 - 1 1/2"	DN100 - 4"				
1	1	Actuator, DV-ST SS/SL NC	8010004511	8010004514	8010004517	8010004520	8010004523		
	1	Actuator, DV-ST SS/SL NO	8010004512	8010004515	8010004518	8010004521	8010004524		
	1	Actuator, DV-ST SS/SL A/A	8010004513	8010004516	8010004519	8010004522	8010004525		
	1	Actuator, DV-ST SS/HP NC	9615303301	9615303801	9615303901	9615304401	9615304501		
	1	Actuator, DV-ST SS/HP NO	9615303302	9615303802	9615303902	9615304402	9615304502		
	1	Actuator, DV-ST SS/HP A/A	9615303303	9615303803	9615303903	9615304403	9615304503		
	15	1	Indication cap kit for SS/SL	8010008656	8010008656	8010008658	8010008659	8010008660	
		8	1	Diaphragm, EPDM (Thread)	9615000105	9615000107	9615000108	9615000109	9615000110
			1	Diaphragm, PTFE/EPDM (Bayonet)	9615000156	9615000158	9615000159	9615000160	9615000161
1			Diaphragm, TFM/EPDM (Bayonet)	9615000138	9615000140	9615000141	9615000142	9615000143	
1	Diaphragm, TFM/EPDM Point-fixed (Thread)		9615005272	9615005273	9615005274	9615005275	9615005276		
9±6 +7	1	Nut, washer, screw set, SS/HP actuator							
	1	For 2-way valve forged	8010008667	9615353605	9615353605	8010008668	8010008665		
	1	For 2-way valve cast ST	9615353604	8010008663	8010008663	8010008664	9615353608		
	1	For 2-way valve cast OP	9615353602	9615353604	8010008663	8010008663	N/A		
	1	For T-, TO- and block valve	9615353612	9615353613	9615353613	9615353615	9615353616		
	1	Washer and screw set for DN100 - 4" with SS/HP actuator					9615353616		
	1	Nut, washer, screw set, SS/SL actuator							
	1	For 2-way valve forged	8010008667	9615353605	9615353605	8010008668	8010008665		
	1	For 2-way valve cast ST	9615353604	8010008663	8010008663	8010008664	9615353608		
	1	For 2-way valve cast OP	9615353602	9615353604	8010008663	8010008663	N/A		
	1	For T-, TO- and block valve	9615353612	9615353613	9615353613	9615353615	9615353616		
	1	Washer and screw set, for DN100 - 4" with SS/SL actuator					9615353616		
	Compressor kit								
	12	1	Compressor kit						
		1	Bayonet	9615005208	9615005223	9615005224	9615005226	9615005228	
1		Thread	9615005207	9615005209	9615005222	9615005225	9615005227		
14	1	Valve body, please contact Alfa Laval							

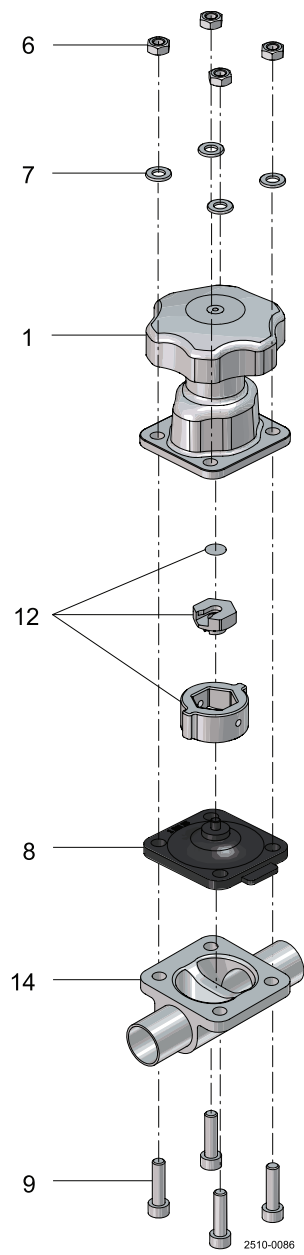
* For valves DN 32 please check marking on diaphragm for actual actuator size of the diaphragm (DN 25 or DN 40).
For T-Valve select actuator size based on outlet dimension.

How to identify correct compressor kit for manual handles:

If the compressor kit is combined into one part pos. 12 (see below drawing) refer to spare parts ESE02017-EN10

If the compressor kit is split into two parts pos. 12 (see below drawing) refer to spare parts ESE02017-EN16



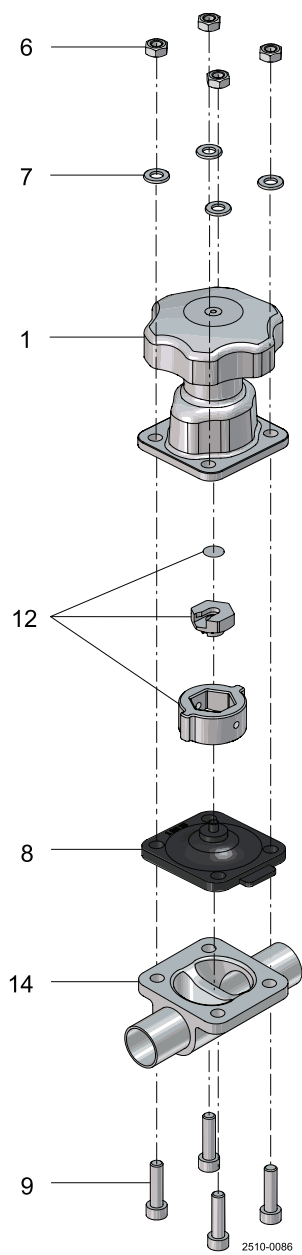


Handles

Pos	Qty	Denomination	DN8 - 1/4"		
			*DN10 - 3/8"	DN15 - 1/2"	DN20 - 3/4"
Handles					
1	1	Handle, SS/SS	9615459101	9615459201	9615459301
	1	Handle, C/SS	9615459102	9615459202	9615459302
8	1	Diaphragm, EPDM (Button)	9615000101	9615000103	9615000104
	1	Diaphragm, PTFE/EPDM (Bayonet)	N/A	9615000154	9615000155
	1	Diaphragm, TFM/EPDM Bayonet	N/A	9615000136	9615000137
	1	Diaphragm, TFM/EPDM Point-fixed **	9615000134	9615005270	9615005271
9+6 +7	1	Nut, washer, screw set			
	1	For 2-way valve forged	8010008661	9615353603	9615353603
	1	For 2-way valve cast ST	8010008661	9615353603	9615353603
	1	For 2-way valve cast OP	8010008661	8010008661	9615353603
	1	For T-, TO- and block valve	9615353609	9615353611	9615353611
Compressor kit					
12	1	Button	9614278701	9615005184	9615005186
	1	Bayonet	N/A	9615005203	9615005205
	1	Thread	N/A	9615005204	9615005206
14	1	Valve body - please contact Alfa Laval			

* For valves DN10 please check marking on diaphragm for actual size of the diaphragm (DN8 or DN15).

Compressor kit: Button for DN 8, thread for DN15-DN20



Handles

Pos	Qty	Denomination	DN25 - 1"	*DN32 - 1 1/4"	DN50 - 2"	DN65 - 2 1/2"	DN80 - 3"
			*DN32 - 1 1/4"	DN40 - 1 1/2"			DN100 - 4"
Handle							
1	1	Handle, SS/SS	9615459401	9615459501	9615459601	9615459701	9615459801
	1	Handle, C/SS	9615459402	9615459502	9615459602	9615459702	9615459802
8	1	Diaphragm, EPDM Thread	9615000105	9615000107	9615000108	9615000109	9615000110
	1	Diaphragm, PTFE/EPDM Bayonet	9615000156	9615000158	9615000159	9615000160	9615000161
	1	Diaphragm, TFM/EPDM Bayonet	9615000138	9615000140	9615000141	9615000142	9615000143
	1	Diaphragm, TFM/EPDM point-fixed Thread	9615005272	9615005273	9615005274	9615005275	9615005276
9+6 +7	1	Nut, washer, screw set					
	1	For 2-way valve forged	8010008667	9615353605	9615353605	8010008668	8010008665
	1	For 2-way valve cast ST	9615353604	8010008663	8010008663	8010008664	9615353608
	1	For 2-way valve cast OP	9615353602	9615353604	8010008663	8010008663	N/A
	1	For T-, TO- and block valve	9615353612	9615353613	9615353613	9615353615	9615353616
	1	Washer and screw set, for DN100 - 4"					9615353616
Compressor kit							
12	1	Bayonet	9615005208	9615005223	9615005224	9615005226	9615005228
	1	Thread	9615005207	9615005209	9615005222	9615005225	9615005227
14	1	Valve body - please contact Alfa Laval					

* For valves DN 32 please check marking on diaphragm for actual size of the diaphragm (DN 25 or DN 40).

How to contact Alfa Laval

Contact details for all countries are continually updated on our website.

Please visit www.alfalaval.com to access the information directly.

© Alfa Laval Corporate AB

This document and its contents is owned by Alfa Laval Corporate AB and protected by laws governing intellectual property and thereto related rights. It is the responsibility of the user of this document to comply with all applicable intellectual property laws. Without limiting any rights related to this document, no part of this document may be copied, reproduced or transmitted in any form or by any means (electronic, mechanical, photocopying, recording, or otherwise), or for any purpose, without the expressed permission of Alfa Laval Corporate AB. Alfa Laval Corporate AB will enforce its rights related to this document to the fullest extent of the law, including the seeking of criminal prosecution.