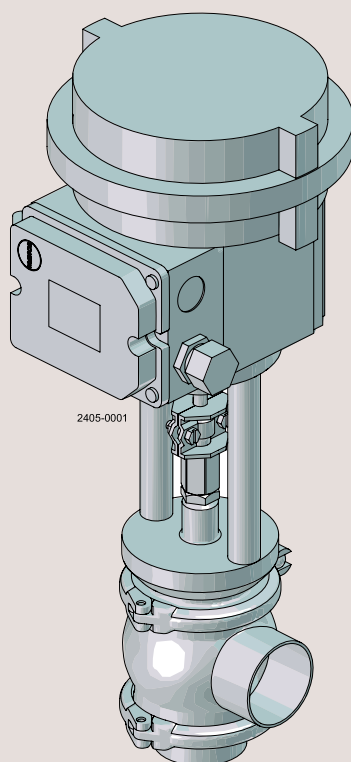


Spare Parts

Unique RV-P, pneumatic regulating valve

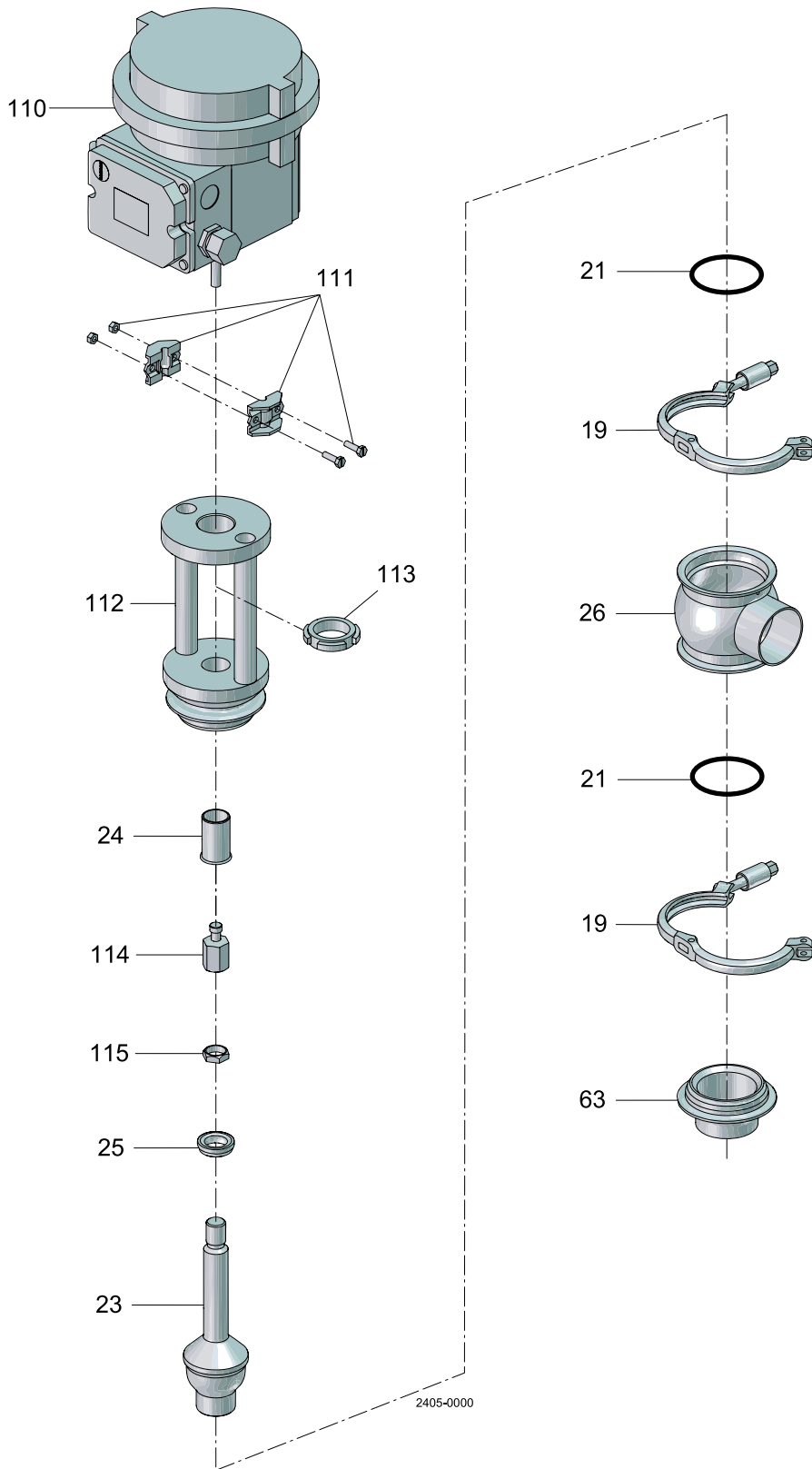


ESE02802-EN11 2024-09

Original manual

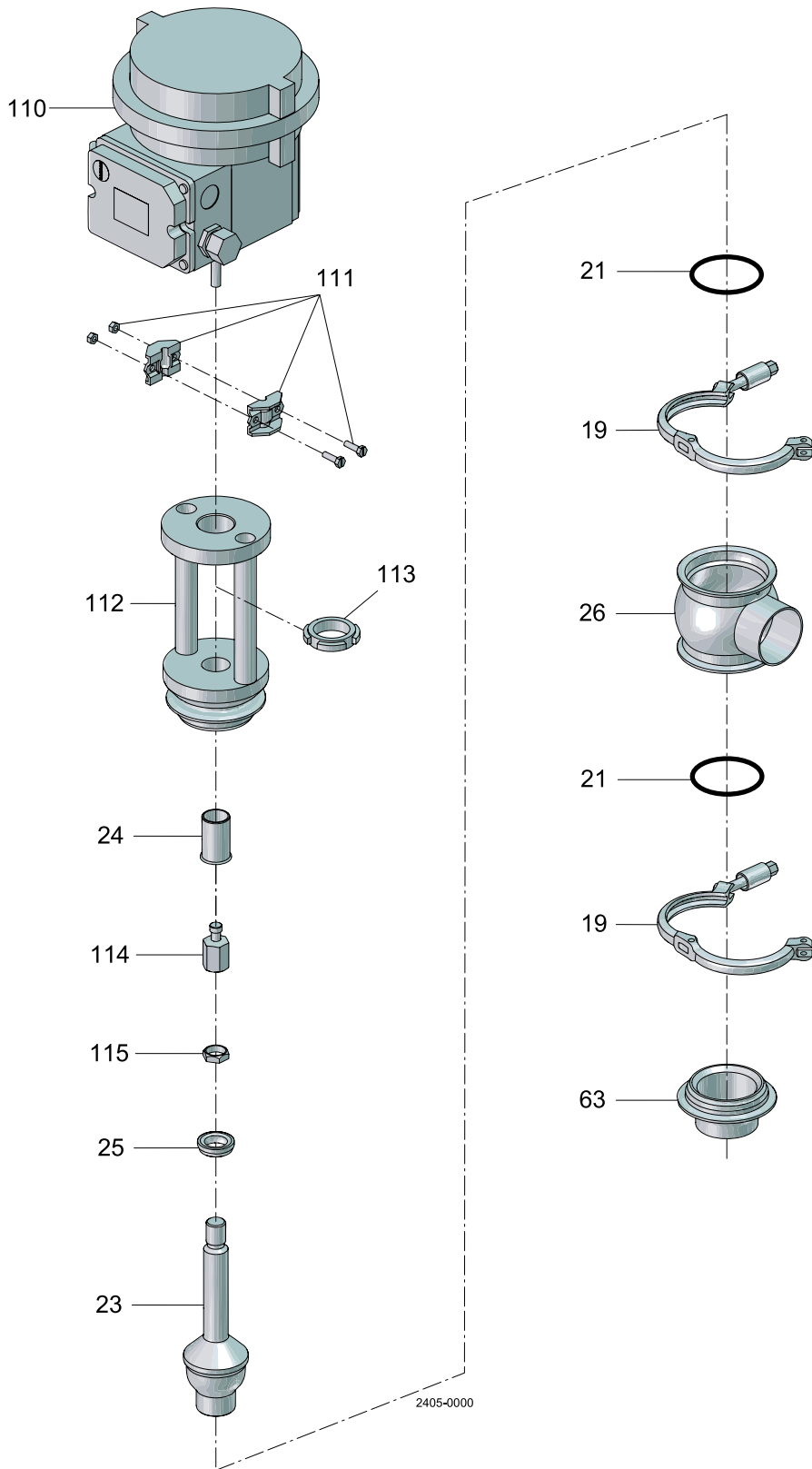
The information herein is correct at the time of issue but may be subject to change without prior notice

1. Unique RV-P	4
2. Unique RV-P, aseptic	8



Unique RV-P

Pos	Qty	Denomination	38mm DN40	51mm DN50	63.5mm DN65	76.1mm DN80	101.6mm DN100
Actuator							
110	1	Actuator complete, NO pos. Type 3725 (incl. Pos 111, 113 and 114) (Period: - 01/2024) ..	9615219901	9615219901	9615219901	9615219901	9615219901
110		Actuator complete, NO pos. Type 3725 (incl. Pos 111, 113 and 114) (Period: 01/2024 -) .	9615219901	9615219901	9615219901	9615219901	8010035184
110	1	Actuator complete, NC pos. Type 3725 (incl. Pos 111, 113 and 114)	9615219902	9615219902	9615219902	9615219902	9615219903
110	1	Actuator complete, NO pos. Type 3730-4 PROFIBUS (incl. Pos 111, 113 and 114) (Period: - 01/2024)	9615219904	9615219904	9615219904	9615219904	9615219904
110		Actuator complete, NO pos. Type 3730-4 PROFIBUS (incl. Pos 111, 113 and 114) (Period: 01/2024 -)	9615219904	9615219904	9615219904	9615219904	8010035185
110	1	Actuator complete, NC pos. Type 3730-4 PROFIBUS (incl. Pos 111, 113 and 114)	9615219905	9615219905	9615219905	9615219905	9615219906
Clamp							
111	1	Clamp fitting, NO (Period: - 01/2024)	9612534201	9612534201	9612534201	9612534201	
111	1	Clamp fitting, NO (Period: 01/2024 -)	9612534201	9612534201	9612534201	9612534201	9612534202
111	1	Clamp fitting, NC	9612534201	9612534201	9612534201	9612534201	9612534202
Bonnet							
112	1	Bonnet, complete, (incl. Pos 24)	9613170701	9613170702	9613170703	9613170704	9613170705
113	1	Striking nut	9612533901	9612533901	9612533901	9612533901	9612533901
24	1	Bushing	9613172101	9613172101	9613172102	9613172102	9613172102
Valve Plug							
114	1	Valve plug adjuster NO (Period: - 01/2024) ..	9615333801	9615333801	9615333801	9615333801	9615333801
114	1	Valve plug adjuster NO (Period: 01/2024 -) ..	9615333801	9615333801	9615333801	9615333801	9615333901
114	1	Valve plug adjuster NC	9615333801	9615333801	9615333801	9615333801	9615333901
115	1	Nut	9613172001	9613172001	9613172001	9613172001	9613172001
25 *	1	Lip seal, EPDM (standard)					
25 *	1	Lip seal, HNBR					
25 *	1	Lip seal, FPM					
25		Lip seal set (10 pcs.) EPDM	9614059419	9614059419	9614059419	9614059419	9614059419
25		Lip seal set (10 pcs.) HNBR	9614059420	9614059420	9614059420	9614059420	9614059420
25		Lip seal set (10 pcs.) FPM	9614059421	9614059421	9614059421	9614059421	9614059421
23	1	Plug, Kv 0.5 ISO	9613169801				
23	1	Plug, Kv 0.5 DIN	9613169802				
23	1	Plug, Kv 1 ISO	9613169901				
23	1	Plug, Kv 1 DIN	9613169902				
23	1	Plug, Kv 2 ISO	9613170001				
23	1	Plug, Kv 2 DIN	9613170002				
23	1	Plug, Kv 4 ISO	9613170101				
23	1	Plug, Kv 4 DIN	9613170102				
23	1	Plug, Kv 8 ISO	9613170201				
23	1	Plug, Kv 8 DIN	9613170202				
23	1	Plug, Kv 16 ISO	9613170301				
23	1	Plug, Kv 16 DIN	9613170302				
23	1	Plug, Kv 25 ISO		9615338701			
23	1	Plug, Kv 25 DIN		9615338702			
23	1	Plug, Kv 32 ISO		9613170401			
23	1	Plug, Kv 32 DIN		9613170402			
23	1	Plug, Kv 40 ISO			9615338601		
23	1	Plug, Kv 40 DIN			9615338602		
23	1	Plug, Kv 64 ISO			9613170501		
23	1	Plug, Kv 64 DIN			9613170503		
23	1	Plug, Kv 75 ISO				9613170502	
23	1	Plug, Kv 75 DIN				9613170504	
23	1	Plug, Kv 110 ISO					9613170601
23	1	Plug, Kv 110 DIN					9613170602
21 *	2	O-ring, EPDM (standard)					
21 *	2	O-ring, HNBR					
21 *	2	O-ring, FPM					
21		O-ring set (10 pcs.) EPDM	9614059422	9614059425	9614059428	9614059431	9614059434
21		O-ring set (10 pcs.) HNBR	9614059423	9614059426	9614059429	9614059432	9614059435
21		O-ring set (10 pcs.) FPM	9614059424	9614059427	9614059430	9614059433	9614059436



Unique RV-P

Pos	Qty	Denomination	38mm DN40	51mm DN50	63.5mm DN65	76.1mm DN80	101.6mm DN100
Valve body							
19	2	Clamp	9612939303	9612939304	9612939305	9612939306	9612939307
26	1	Valve body, upper, 1 port, ISO	9613139303	9613139305	9613139307	9613139309	9613139311
26	1	Valve body, upper, 2 ports, ISO	9613139304	9613139306	9613139308	9613139310	9613139312
26	1	Valve body, upper, 1 port, DIN	9613139403	9613139405	9613139407	9613139409	9613139411
26	1	Valve body, upper, 2 ports, DIN	9613139404	9613139406	9613139408	9613139410	9613139412
63	1	Seat, Kv 0.5 ISO	9613171301				
63	1	Seat, Kv 0.5 DIN	9613171401				
63	1	Seat, Kv 1 ISO	9613171302				
63	1	Seat, Kv 1 DIN	9613171402				
63	1	Seat, Kv 2 ISO	9613171303				
63	1	Seat, Kv 2 DIN	9613171403				
63	1	Seat, Kv 4 ISO	9613171304				
63	1	Seat, Kv 4 DIN	9613171404				
63	1	Seat, Kv 8 ISO	9613171305				
63	1	Seat, Kv 8 DIN	9613171405				
63	1	Seat, Kv 16 ISO	9613171306				
63	1	Seat, Kv 16 DIN	9613171406				
63	1	Seat, Kv 25 ISO		9615338901			
63	1	Seat, Kv 25 DIN		9615338902			
63	1	Seat, Kv 32 ISO		9613171501			
63	1	Seat, Kv 32 DIN		9613171502			
63	1	Kv 40 ISO			9615338801		
63	1	Kv 40 DIN			9615338802		
63	1	Seat, Kv 64 ISO			9613171601		
63	1	Seat, Kv 64 DIN			9613171602		
63	1	Seat, Kv 75 ISO				9613171701	
63	1	Seat, Kv 75 DIN				9613171702	
63	1	Seat, Kv 110 ISO					9613171801
63	1	Seat, Kv 110 DIN					9613171802

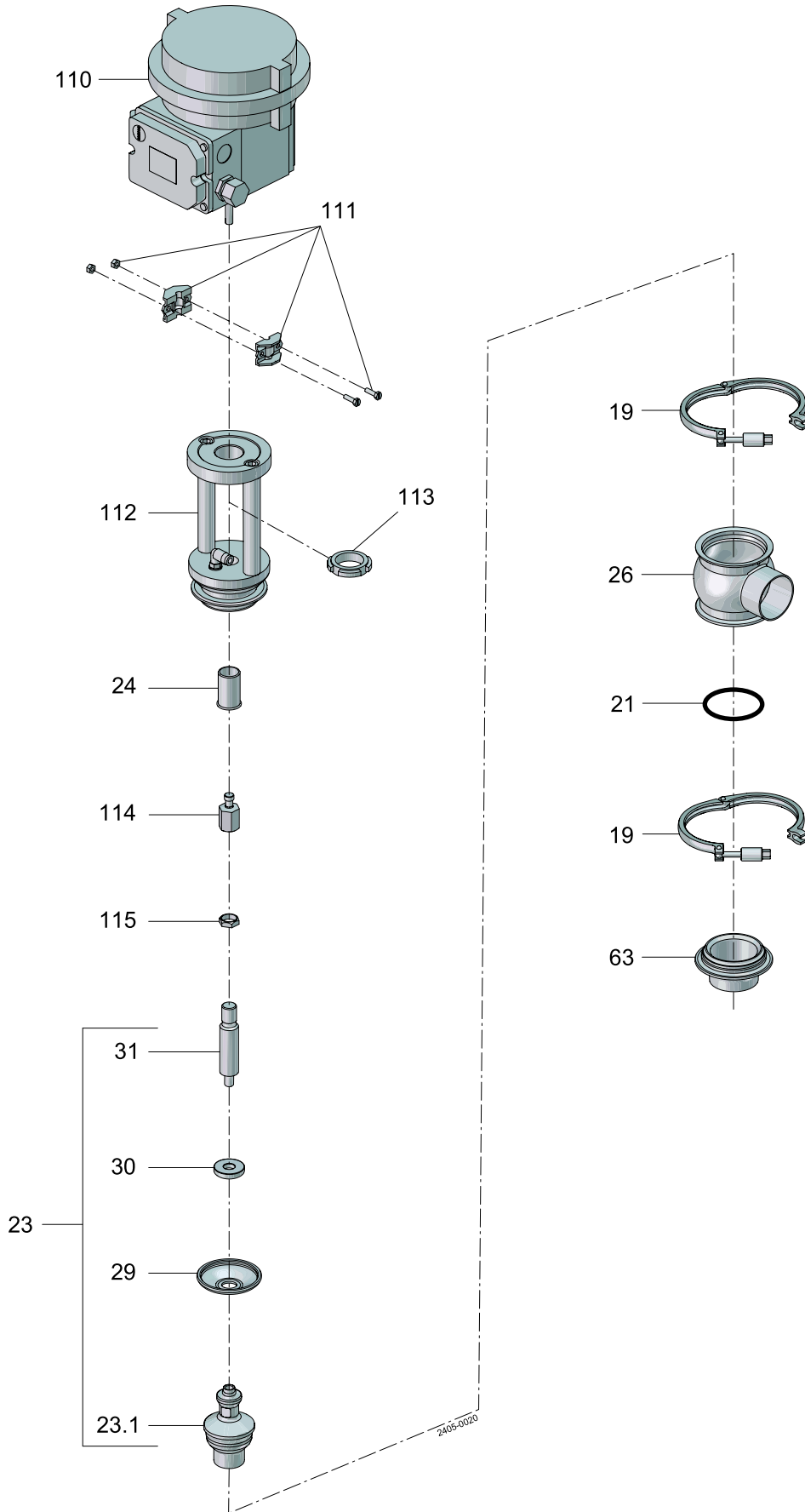
Service Kit

		38 mm DN40	51 mm DN50	63.5 mm DN65	76.1 mm DN80	101.6 mm DN100
*	Service kit, EPDM	9611926975	9611926976	9611926977	9611926978	9611926979
*	Service kit, HNBR	9611926980	9611926981	9611926982	9611926983	9611926984
*	Service kit, FPM	9611926985	9611926986	9611926987	9611926988	9611926989

Parts marked with ★ are included in the service kits.

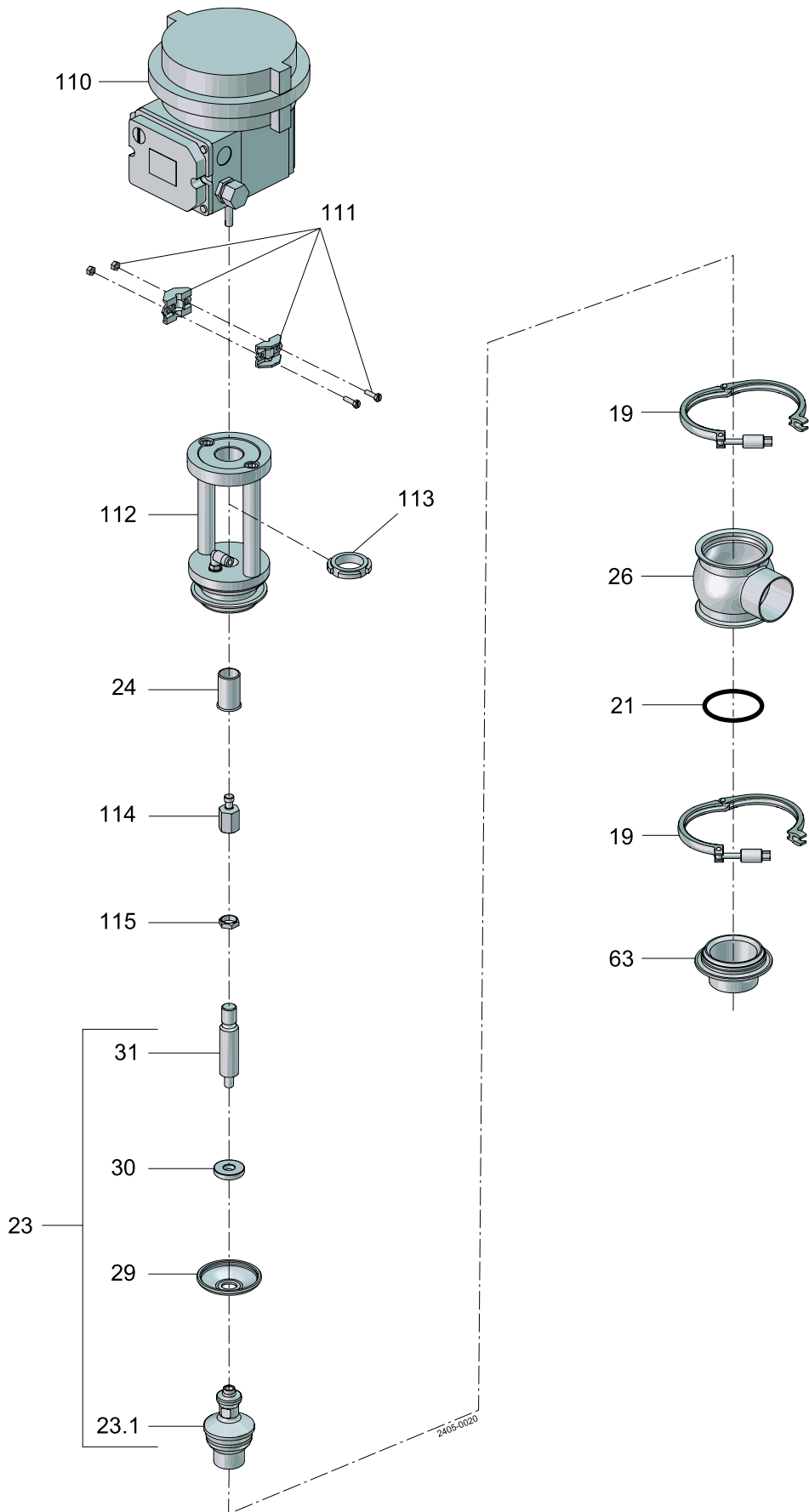
Recommended spare parts: Service kits.

900679/7



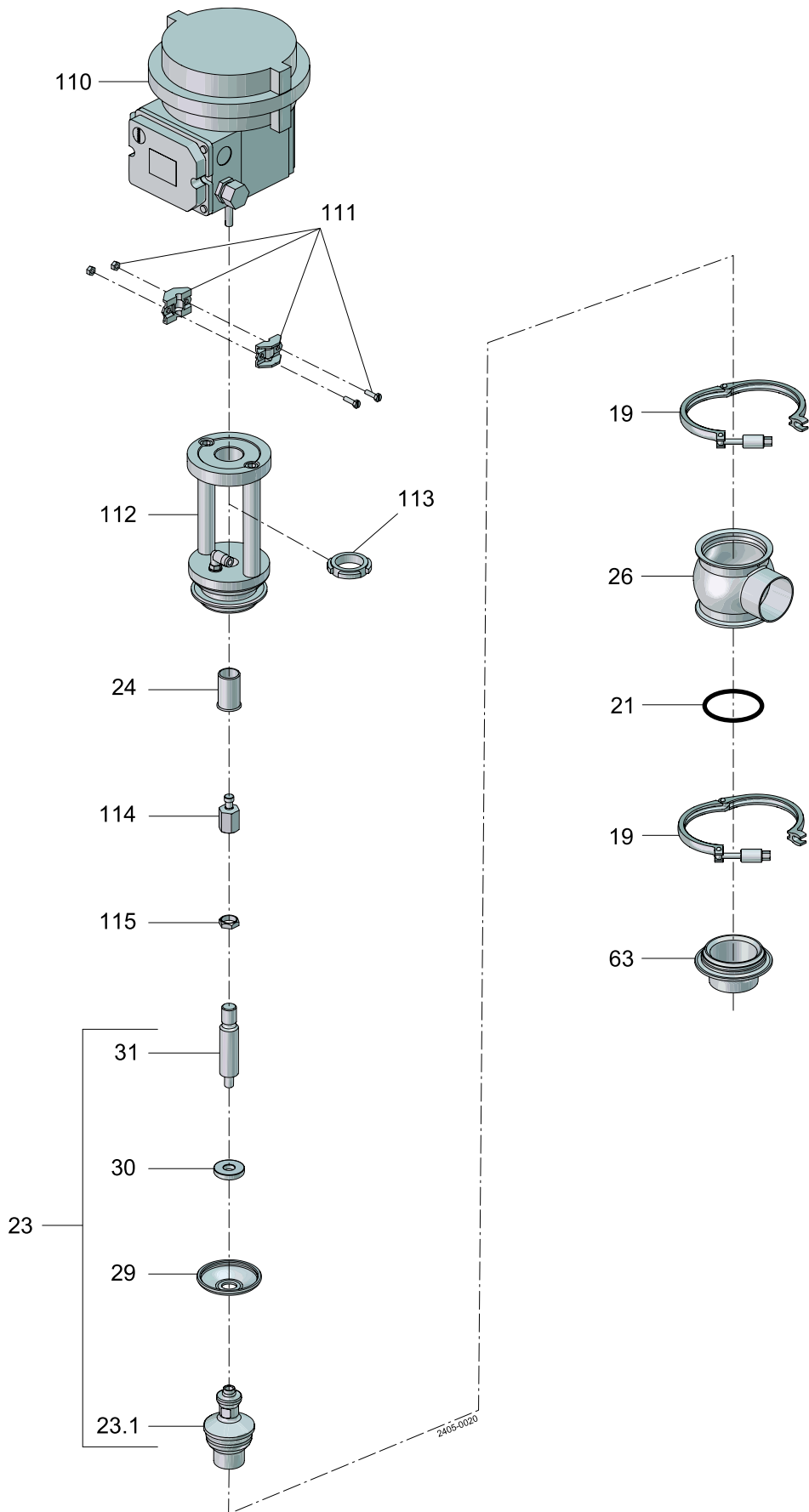
Unique RV-P, aseptic

Pos	Qty	Denomination	38 mm DN40	51 mm DN50	63.5 mm DN65	76.1 DN80	101.6 mm DN100
Actuator							
110	1	Actuator complete, NO pos. Type 3725 (incl. Pos 111, 113 and 114) (Period: - 01/2024) ..	9615219901	9615219901	9615219901	9615219901	9615219901
110		Actuator complete, NO pos. Type 3725 (incl. Pos 111, 113 and 114) (Period: 01/2024 -) .	9615219901	9615219901	9615219901	9615219901	8010035184
110	1	Actuator complete, NC pos. Type 3725 (incl. Pos 111, 113 and 114)	9615219902	9615219902	9615219902	9615219902	9615219903
110	1	Actuator complete, NO pos. Type 3730-4 PROFIBUS (incl. Pos 111, 113 and 114) (Period: - 01/2024)	9615219904	9615219904	9615219904	9615219904	9615219904
110		Actuator complete, NO pos. Type 3730-4 PROFIBUS (incl. Pos 111, 113 and 114) (Period: 01/2024 -)	9615219904	9615219904	9615219904	9615219904	8010035185
110	1	Actuator complete, NC pos. Type 3730-4 PROFIBUS (incl. Pos 111, 113 and 114)	9615219905	9615219905	9615219905	9615219905	9615219906
Clamp							
111	1	Clamp fitting, NO (Period: - 01/2024)	9612534201	9612534201	9612534201	9612534201	9612534201
111	1	Clamp fitting, NO (Period: 01/2024 -)	9612534201	9612534201	9612534201	9612534201	9612534202
111	1	Clamp fitting, NC	9612534201	9612534201	9612534201	9612534201	9612534202
Bonnet							
112	1	Bonnet, complete, (incl. Pos 24 + 32)	9615219501	9615219502	9615219503	9615219504	9615219505
24	1	Bushing	9613172105	9613172104	9613172103	9613172103	9613172103
32	1	Air fitting (ROW)	9611994877	9611991988	9611991988	9611991988	9611991988
32	1	Air fitting (US)	9611994877	9611994682	9611994682	9611994682	9611994682
Valve plug							
114	1	Valve plug adjuster NO (Period: - 01/2024) ..	9615333801	9615333801	9615333801	9615333801	9615333801
114	1	Valve plug adjuster NO (Period: 01/2024 -) ..	9615333801	9615333801	9615333801	9615333801	9615333901
114	1	Valve plug adjuster NC	9615333801	9615333801	9615333801	9615333801	9615333901
115	1	Nut	9613172001	9613172001	9613172001	9613172001	9613172001
23	1	Plug, complete, Kv 0.5 ISO	9615210001				
23	1	Plug, complete, Kv 0.5 DIN	9615210002				
23	1	Plug, complete, Kv 1 ISO	9615210003				
23	1	Plug, complete, Kv 1 DIN	9615210004				
23	1	Plug, complete, Kv 2 ISO	9615210005				
23	1	Plug, complete, Kv 2 DIN	9615210006				
23	1	Plug, complete, Kv 4 ISO	9615210007				
23	1	Plug, complete, Kv 4 DIN	9615210008				
23	1	Plug, complete, Kv 8 ISO	9615210009				
23	1	Plug, complete, Kv 8 DIN	9615210010				
23	1	Plug, complete, Kv 16 ISO	9615210011				
23	1	Plug, complete, Kv 16 DIN	9615210012				
23	1	Plug, complete, Kv 32 ISO		9615210013			
23	1	Plug, complete, Kv 32 DIN		9615210014			
23	1	Plug, complete, Kv 64 ISO			9615210015		
23	1	Plug, complete, Kv 64 DIN			9615210016		
23	1	Plug, complete, Kv 75 ISO				9615210017	
23	1	Plug, complete, Kv 75 DIN				9615210018	
23	1	Plug, complete, Kv 110 ISO					9615210019
23	1	Plug, complete, Kv 110 DIN					9615210020



Unique RV-P, aseptic

Pos	Qty	Denomination	38 mm DN40	51 mm DN50	63.5 mm DN65	76.1 mm DN80	101.6 mm DN100
23.	1	Plug, Kv 0.5, ISO	9615209701				
23.	1	Plug, Kv 0.5, DIN	9615209702				
23.	1	Plug, Kv 1, ISO	9615218001				
23.	1	Plug, Kv 1, DIN	9615218002				
23.	1	Plug, Kv 2, ISO	9615218101				
23.	1	Plug, Kv 2 DIN	9615218102				
23.	1	Plug, Kv 4, ISO	9615218201				
23.	1	Plug, Kv 4, DIN	9615218202				
23.	1	Plug, Kv 8, ISO	9615218301				
23.	1	Plug, Kv 8, DIN	9615218302				
23.	1	Plug, Kv 16, ISO	9615218401				
23.	1	Plug, Kv 16, DIN	9615218402				
23.	1	Plug, Kv 32, ISO		9615218501			
23.	1	Plug, Kv 32, DIN		9615218501			
23.	1	Plug, Kv 64, ISO			9615218601		
23.	1	Plug, Kv 64, DIN			9615218602		
23.	1	Plug, Kv 75, ISO				9615218701	
23.	1	Plug, Kv 75 DIN				9615218702	
23.	1	Plug, Kv 110 ISO					9615218801
23.	1	Plug, Kv 110 DIN					9615218802
31	1	Upper spindel	9615217801	9615209902	9615209903	9615209903	9615209903
30	1	Disc	9613144001	9613144101	9613144201	9613144301	9613144301
29 *	1	Diaphragm					
29		Diaphragm set (10 pcs.)	9614059437	9614059438	9614059439	9614059440	9614059441
21 *	1	O-ring, EPDM (standard)					
21 *	1	O-ring , HNBR					
21 *	1	O-ring, FPM					
21		O-ring set (10 pcs.), EPDM	9614059422	9614059425	9614059428	9614059431	9614059434
21		O-ring set (10 pcs.), HNBR	9614059423	9614059426	9614059429	9614059432	9614059435
21		O-ring set (10 pcs.), FPM	9614059424	9614059427	9614059430	9614059433	9614059436



Unique RV-P, aseptic

Pos	Qty	Denomination	38 mm DN40	51 mm DN50	63.5 mm DN65	76.1 mm DN80	101.6 mm DN100
Valve body							
19	2	Clamp	9612939303	9612939304	9612939305	9612939306	9612939307
26	1	Valve body, upper, 1 port, ISO	9613139303	9613139305	9613139307	9613139309	9613139311
26	1	Valve body, upper, 2 ports, ISO	9613139304	9613139306	9613139308	9613139310	9613139312
26	1	Valve body, upper, 1 port, DIN	9613139403	9613139405	9613139407	9613139409	9613139411
26	1	Valve body, upper, 2 ports, DIN	9613139404	9613139406	9613139408	9613139410	9613139412
63	1	Seat, Kv 0.5 ISO	9613171301				
63	1	Seat, Kv 0.5 DIN	9613171401				
63	1	Seat, Kv 1 ISO	9613171302				
63	1	Seat, Kv 1 DIN	9613171402				
63	1	Seat, Kv 2 ISO	9613171303				
63	1	Seat, Kv 2 DIN	9613171403				
63	1	Seat, Kv 4 ISO	9613171304				
63	1	Seat, Kv 4 DIN	9613171404				
63	1	Seat, Kv 8 ISO	9613171305				
63	1	Seat, Kv 8 DIN	9613171405				
63	1	Seat, Kv 16 ISO	9613171306				
63	1	Seat, Kv 16 DIN	9613171406				
63	1	Seat, Kv 32 ISO		9613171501			
63	1	Seat, Kv 32 DIN		9613171502			
63	1	Seat, Kv 64 ISO			9613171601		
63	1	Seat, Kv 64 DIN			9613171602		
63	1	Seat, Kv 75 ISO				9613171701	
63	1	Seat, Kv 75 DIN				9613171702	
63	1	Seat, Kv 110 ISO					9613171801
63	1	Seat, Kv 110 DIN					9613171802

Service Kit

		38 mm DN40	51 mm DN50	63.5 mm DN65	76.1 mm DN80	101.6 mm DN100
*	Service Kit, EPDM	9611929001	9611929004	9611929007	9611929010	9611929013
*	Service Kit, HNBR	9611929002	9611929005	9611929008	9611929011	9611929014
*	Service Kit, FPM	9611929003	9611929006	9611929009	9611929012	9611929015

Parts marked with * are included in the service kits.

Recommended spare parts: Service kits.

900679/7

How to contact Alfa Laval

Contact details for all countries are continually updated on our website.

Please visit www.alfalaval.com to access the information directly.

© Alfa Laval Corporate AB

This document and its contents is owned by Alfa Laval Corporate AB and protected by laws governing intellectual property and thereto related rights. It is the responsibility of the user of this document to comply with all applicable intellectual property laws. Without limiting any rights related to this document, no part of this document may be copied, reproduced or transmitted in any form or by any means (electronic, mechanical, photocopying, recording, or otherwise), or for any purpose, without the expressed permission of Alfa Laval Corporate AB. Alfa Laval Corporate AB will enforce its rights related to this document to the fullest extent of the law, including the seeking of criminal prosecution.