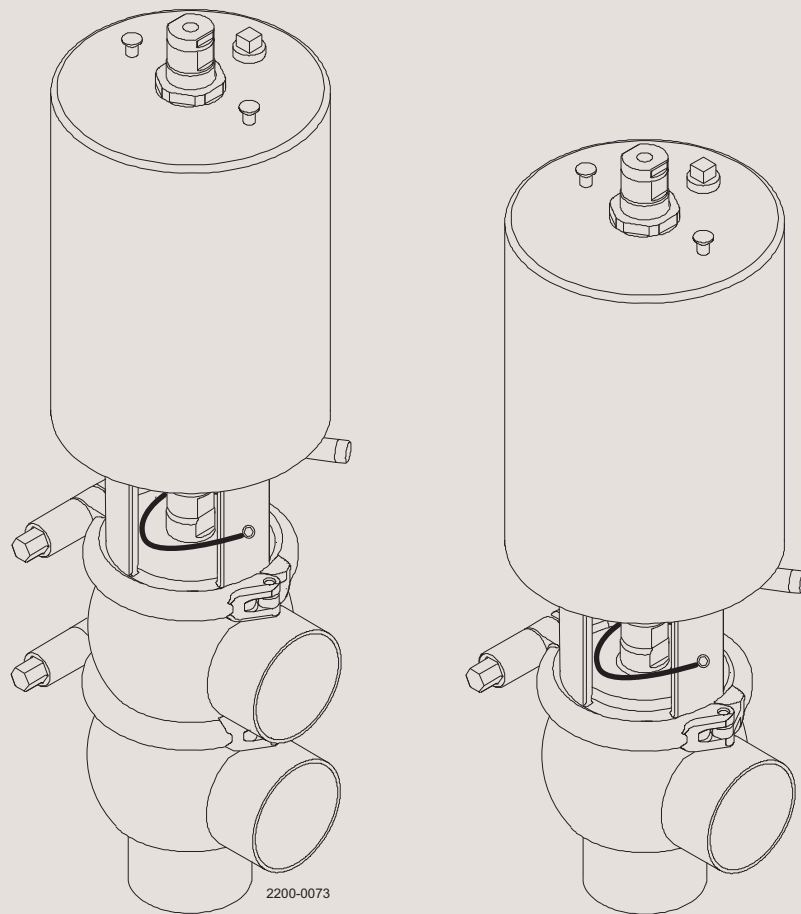




Spare Parts

Unique Single Seat Valve - ATEX



ESE00701-EN7

2018-11

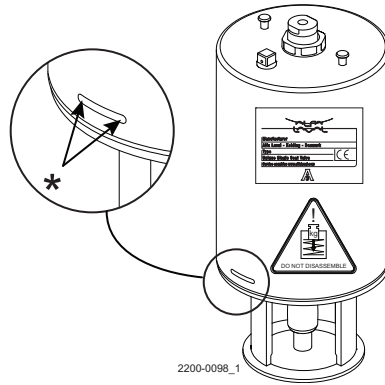
Original manual

The information herein is correct at the time of issue but may be subject to change without prior notice

1. Important information	4
2. Unique Single Seat Valve - ATEX - shut-off	6
3. Unique Single Seat Valve - ATEX - change-over	10
4. Unique Single Seat Valve - ATEX - Reverse Acting - shut-off	14
5. Unique Single Seat Valve - ATEX - Reverse Acting - change-over	18
6. Unique Single Seat Valve - Actuator for ATEX - shut off (- 0616)	22
7. Unique Single Seat Valve - ATEX - mounting tools	24

1 Important information

Actuators for ATEX are only provided as “non maintainable”.
Do NEVER attempt to open or dismantle an actuator for ATEX!



Unique Single Seat Valve - ATEX - shut-off

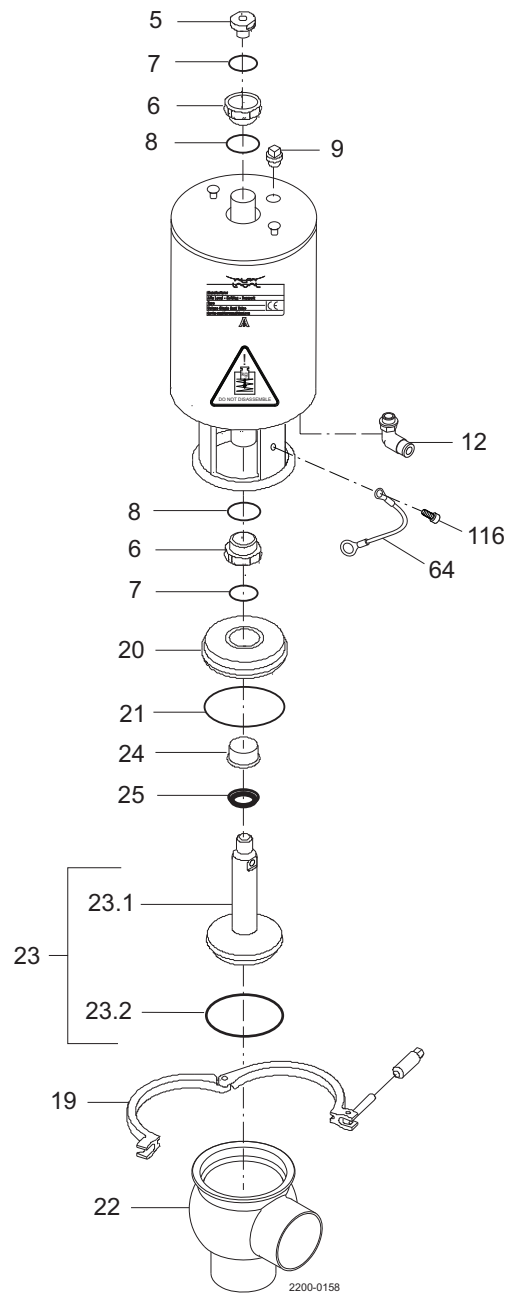
If the actuator is marked with a danger warning do **NOT** attempt to cut the actuator open.



Do **NOT** attempt to disassemble the actuator due to spring under load danger!



Do **NOT** attempt to cut the actuator open, due to spring under load danger!



Unique Single Seat Valve - ATEX - shut-off

Pos	Qty	Denomination	DN 25 25 mm	DN 40 38 mm	DN 50 51 mm	DN 65 63.5 mm	DN 80 76.1 mm	DN 100 101.6 mm
		Actuator, complete (NO)	9613185601	9613185601	9613185602	9613185603	9613185604	9613185605
		Actuator, complete (NC)	9613185606	9613185606	9613185607	9613185608	9613185609	9613185610
		Actuator, complete (A/A)	9613185611	9613185611	9613185612	9613185613	9613185614	9613185615
5	1	Adapter, plastic (- 0115)						
	1	Adapter, steel (0115 - 0518)						
	1	Adapter, steel (0518 -)	9615374701	9615374701	9615374701	9615374701	9615374701	9615374701
6	□	2 Bushing						
7	□	2 O-ring						
8	□	2 O-ring						
9	1	Plug	9613414101	9613414101	9613414101	9613414101	9613414101	9613414101
12	1	Air fitting	9611991988	9611991988	9611991988	9611991988	9611991988	9611991988
64	1	Ground wire	9613464301	9613464301	9613464301	9613464301	9613464301	9613464301
116	1	Bolt	9611991686	9611991686	9611991686	9611991686	9611991686	9611991686
Clamp								
19	1	Clamp	9612939303	9612939303	9612939304	9612939305	9612939306	9612939307
Bonnet								
20	1	Bonnet	9613127102	9613127102	9613127103	9613127104	9613127105	9613127106
21	◆	1 O-ring, EPDM (standard) ...						
	1	O-ring, HNBR						
	1	O-ring, FPM						
		O-ring, set (10 pcs.) EPDM .	9614059422	9614059422	9614059425	9614059428	9614059431	9614059434
		O-ring, set (10 pcs.) HNBR .	9614059423	9614059423	9614059426	9614059429	9614059432	9614059435
		O-ring, set (10 pcs.) FPM ..	9614059424	9614059424	9614059427	9614059430	9614059433	9614059436
24	1	Bushing	9613125002	9613125002	9613125002	9613125002	9613125002	9613125002
25	◆	1 Lip seal, EPDM (standard) ..						
	1	Lip seal, HNBR						
	1	Lip seal, FPM						
		Lip seal, set (10 pcs.) EPDM	9614059419	9614059419	9614059419	9614059419	9614059419	9614059419
		Lip seal, set (10 pcs.) HNBR	9614059420	9614059420	9614059420	9614059420	9614059420	9614059420
		Lip seal, set (10 pcs.) FPM .	9614059421	9614059421	9614059421	9614059421	9614059421	9614059421
Valve body								
22	1	Valve body, lower, 2 ports ISO	9613139501	9613139503	9613139505	9613139507	9613139509	9613139511
	1	Valve body, lower, 3 ports ISO	9613139502	9613139504	9613139506	9613139508	9613139510	9613139512
	1	Valve body, lower, 2 ports DIN	9613139601	9613139603	9613139605	9613139607	9613139609	9613139611
	1	Valve body, lower, 3 ports DIN	9613139602	9613139604	9613139606	9613139608	9613139610	9613139612
Valve plug								
23	1	Plug, shut off, ISO, complete, EPDM (standard)	9613138801	9613138802	9613138803	9613138804	9613138805	9613138806
	1	Plug, shut off, ISO, complete, HNBR	9613138813	9613138814	9613138815	9613138816	9613138817	9613138818
	1	Plug, shut off, ISO, complete, FPM	9613138825	9613138826	9613138827	9613138828	9613138829	9613138830
	1	Plug, shut off, DIN, complete, EPDM (standard)	9613138807	9613138808	9613138809	9613138810	9613138811	9613138812
	1	Plug, shut off, DIN, complete, HNBR	9613138819	9613138820	9613138821	9613138822	9613138823	9613138824
	1	Plug, shut off, DIN, complete, FPM	9613138831	9613138832	9613138833	9613138834	9613138835	9613138836
23.1	1	Plug, shut off, ISO	9613149601	9613139802	9613139803	9613139804	9613139805	9613139806
	1	Plug, shut off, DIN	9613149602	9613139808	9613139809	9613139810	9613139811	9613139812
23.2	◆	1 Plug seal, EPDM (standard)						
	1	Plug seal, HNBR						
	1	Plug seal, FPM						
		Plug seal, set (10 pcs.) EPDM	9614059401	9614059404	9614059407	9614059410	9614059413	9614059416
		Plug seal, set (10 pcs.) HNBR	9614059402	9614059405	9614059408	9614059411	9614059414	9614059417
		Plug seal, set (10 pcs.) FPM	9614059403	9614059406	9614059409	9614059412	9614059415	9614059418

Unique Single Seat Valve - ATEX - shut-off

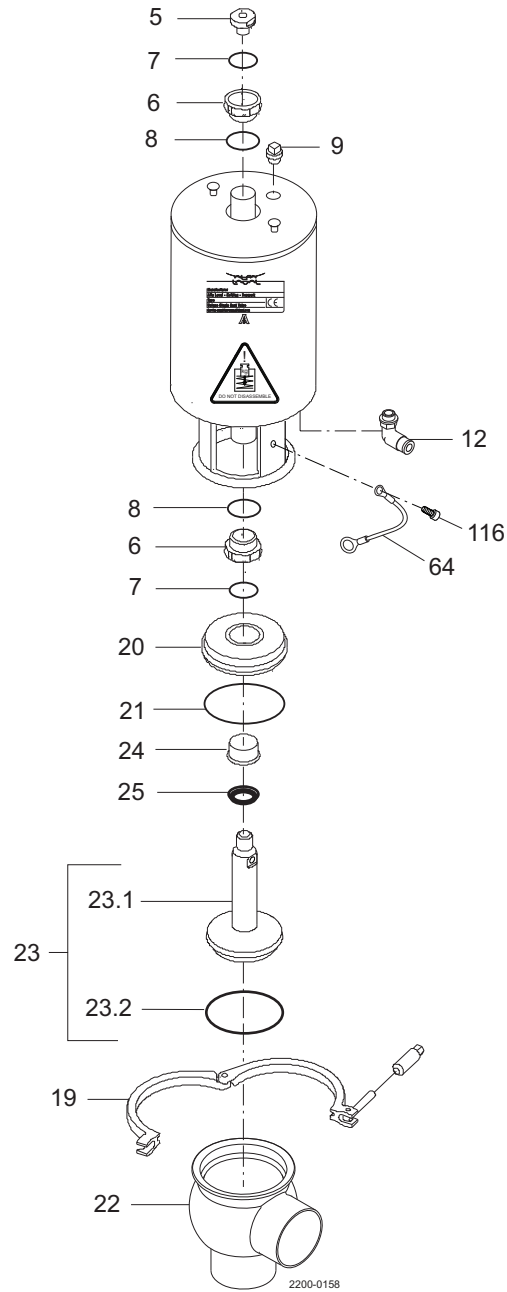
If the actuator is marked with a danger warning do **NOT** attempt to cut the actuator open.



Do **NOT** attempt to disassemble the actuator due to spring under load danger!



Do **NOT** attempt to cut the actuator open, due to spring under load danger!



Service kits

□	Service kit, actuator	9611926500	9611926500	9611926500	9611926500	9611926500	9611926500
◆	Service kit, EPDM	9611926501	9611926502	9611926503	9611926504	9611926505	9611926506
◆	Service kit, HNBR	9611926507	9611926508	9611926509	9611926510	9611926511	9611926512
◆	Service kit, FPM	9611926513	9611926514	9611926515	9611926516	9611926517	9611926518

Parts marked with □ are included in the service kits (actuator)

Parts marked with ◆ are included in the service kits (product wetted parts)

Tool for bushing (pos. 24) - item no: 9613160901

TD 900510/3

Unique Single Seat Valve - ATEX - change-over

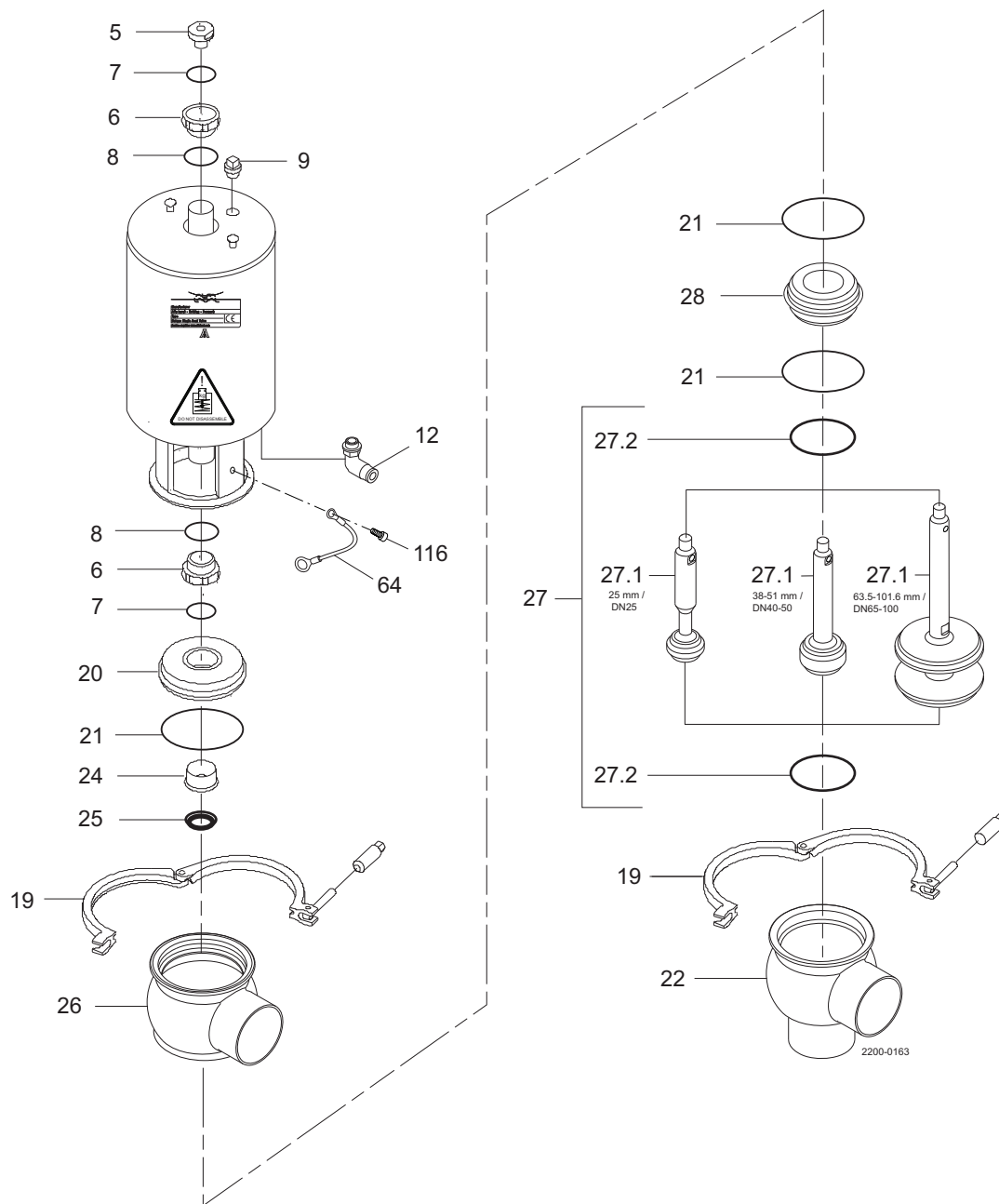
If the actuator is marked with a danger warning do **NOT** attempt to cut the actuator open.



Do **NOT** attempt to disassemble the actuator due to spring under load danger!



Do **NOT** attempt to cut the actuator open, due to spring under load danger!



Unique Single Seat Valve - ATEX - change-over

Pos	Qty	Denomination	DN 25 25 mm	DN 40 38 mm	DN 50 51 mm	DN 65 63.5 mm	DN 80 76.1 mm	DN 100 101.6 mm
		Actuator, complete (NO)	9613185601	9613185601	9613185602	9613185603	9613185604	9613185605
		Actuator, complete (NC)	9613185606	9613185606	9613185607	9613185608	9613185609	9613185610
		Actuator, complete (A/A)	9613185611	9613185611	9613185612	9613185613	9613185614	9613185615
5	1	Adapter, plastic (- 0115)						
	1	Adapter, steel (0115 - 0518)						
	1	Adapter, steel (0518 -)	9615374701	9615374701	9615374701	9615374701	9615374701	9615374701
6	□	2 Bushing						
7	□	2 O-ring						
8	□	2 O-ring						
9	1	Plug	9613414101	9613414101	9613414101	9613414101	9613414101	9613414101
12	1	Air fitting	9611991988	9611991988	9611991988	9611991988	9611991988	9611991988
64	1	Ground wire	9613464301	9613464301	9613464301	9613464301	9613464301	9613464301
116	1	Bolt	9611991686	9611991686	9611991686	9611991686	9611991686	9611991686
Clamp								
19	1	Clamp	9612939303	9612939303	9612939304	9612939305	9612939306	9612939307
Bonnet								
20	1	Bonnet	9613127102	9613127102	9613127103	9613127104	9613127105	9613127106
21	◆	1 O-ring, EPDM (standard) ...						
	1	O-ring, HNBR						
	1	O-ring, FPM						
		O-ring, set (10 pcs.) EPDM .	9614059422	9614059422	9614059425	9614059428	9614059431	9614059434
		O-ring, set (10 pcs.) HNBR .	9614059423	9614059423	9614059426	9614059429	9614059432	9614059435
		O-ring, set (10 pcs.) FPM ..	9614059424	9614059424	9614059427	9614059430	9614059433	9614059436
24	1	Bushing	9613125002	9613125002	9613125002	9613125002	9613125002	9613125002
25	◆	1 Lip seal, EPDM (standard) ..						
	1	Lip seal, HNBR						
	1	Lip seal, FPM						
		Lip seal, set (10 pcs.) EPDM	9614059419	9614059419	9614059419	9614059419	9614059419	9614059419
		Lip seal, set (10 pcs.) HNBR	9614059420	9614059420	9614059420	9614059420	9614059420	9614059420
		Lip seal, set (10 pcs.) FPM .	9614059421	9614059421	9614059421	9614059421	9614059421	9614059421
Seat								
28	1	Seat	9613127501	9613127502	9613127503	9613127504	9613127505	9613127506
Valve body								
26	1	Valve body, upper, 1 port ISO	9613139301	9613139303	9613139305	9613139307	9613139309	9613139311
	1	Valve body, upper, 2 ports ISO	9613139302	9613139304	9613139306	9613139308	9613139310	9613139312
	1	Valve body, upper, 1 port DIN	9613139401	9613139403	9613139405	9613139407	9613139409	9613139411
	1	Valve body, upper, 2 ports DIN	9613139402	9613139404	9613139406	9613139408	9613139410	9613139412
22	1	Valve body, lower, 2 ports ISO	9613139501	9613139503	9613139505	9613139507	9613139509	9613139511
	1	Valve body, lower, 3 ports ISO	9613139502	9613139504	9613139506	9613139508	9613139510	9613139512
	1	Valve body, lower, 2 ports DIN	9613139601	9613139603	9613139605	9613139607	9613139609	9613139611
	1	Valve body, lower, 3 ports DIN	9613139602	9613139604	9613139606	9613139608	9613139610	9613139612
Valve plug								
27	1	Plug, change over, ISO complete, EPDM (standard)	9613127701	9613127702	9613127703	9613127704	9613127705	9613127706
	1	Plug, change over, ISO complete, HNBR	9613127713	9613127714	9613127715	9613127716	9613127717	9613127718
	1	Plug, change over, ISO complete, FPM	9613127725	9613127726	9613127727	9613127728	9613127729	9613127730
	1	Plug, change over, DIN complete, EPDM (standard)	9613127707	9613127708	9613127709	9613127710	9613127711	9613127712
	1	Plug, change over, DIN complete, HNBR	9613127719	9613127720	9613127721	9613127722	9613127723	9613127724
	1	Plug, change over, DIN complete, FPM	9613127731	9613127732	9613127733	9613127734	9613127735	9613127736
27.1	1	Plug, change over, ISO	9613149701	9613140002	9613140003	9613140004	9613140005	9613140006
	1	Plug, change over, DIN	9613149702	9613140008	9613140009	9613140010	9613140011	9613140012
27.2◆	2	Plug seal, EPDM (standard)						
	2	Plug seal, HNBR						
	2	Plug seal, FPM						
		Plug seal, set (10 pcs.) EPDM	9614059401	9614059404	9614059407	9614059410	9614059413	9614059416
		Plug seal, set (10 pcs.) HNBR	9614059402	9614059405	9614059408	9614059411	9614059414	9614059417
		Plug seal, set (10 pcs.) FPM	9614059403	9614059406	9614059409	9614059412	9614059415	9614059418

Unique Single Seat Valve - ATEX - change-over

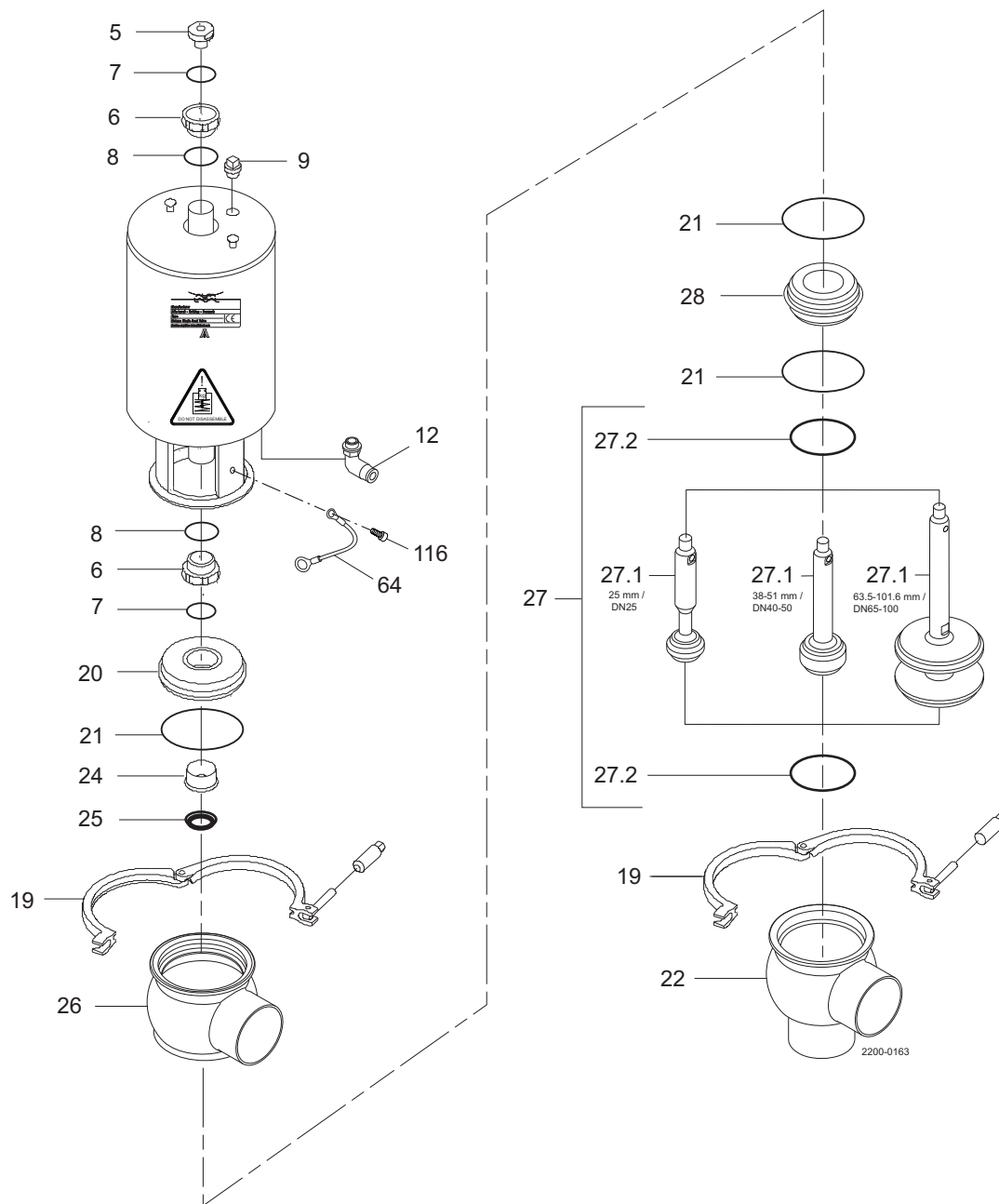
If the actuator is marked with a danger warning do **NOT** attempt to cut the actuator open.



Do **NOT** attempt to disassemble the actuator due to spring under load danger!



Do **NOT** attempt to cut the actuator open, due to spring under load danger!



Service kits

□	Service kit, actuator	9611926500	9611926500	9611926500	9611926500	9611926500	9611926500
◆	Service kit, EPDM	9611926579	9611926580	9611926581	9611926582	9611926583	9611926584
◆	Service kit, HNBR	9611926585	9611926586	9611926587	9611926588	9611926589	9611926590
◆	Service kit, FPM	9611926591	9611926592	9611926593	9611926594	9611926595	9611926596

Parts marked with □ are included in the service kits (actuator)

Parts marked with ◆ are included in the service kits (product wetted parts)

Tool for bushing (pos. 24) - item no: 9613160901

TD 900510/3

Unique Single Seat Valve - ATEX - Reverse Acting - shut-off

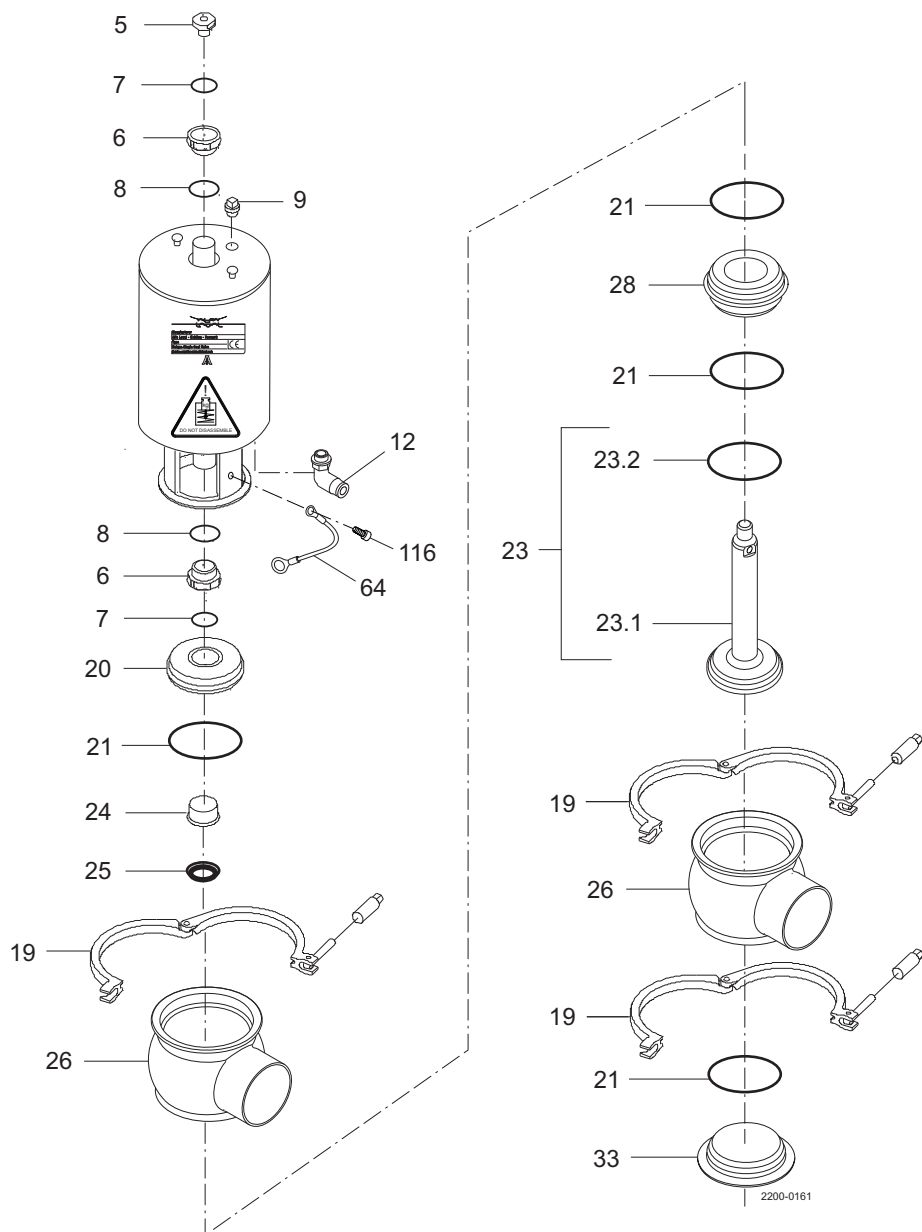
If the actuator is marked with a danger warning do **NOT** attempt to cut the actuator open.



Do **NOT** attempt to disassemble the actuator due to spring under load danger!



Do **NOT** attempt to cut the actuator open, due to spring under load danger!



Unique Single Seat Valve - ATEX - Reverse Acting - shut-off

Pos	Qty	Denomination	DN 25 25 mm	DN 40 38 mm	DN 50 51 mm	DN 65 63.5 mm	DN 80 76.1 mm	DN 100 101.6 mm
		Actuator, complete (NO)	9613185601	9613185601	9613185602	9613185603	9613185604	9613185605
		Actuator, complete (NC)	9613185606	9613185606	9613185607	9613185608	9613185609	9613185610
		Actuator, complete (A/A)	9613185611	9613185611	9613185612	9613185613	9613185614	9613185615
5	1	Adapter, plastic (- 0115)						
	1	Adapter, steel (0115 - 0518)						
	1	Adapter, steel (0518 -)	9615374701	9615374701	9615374701	9615374701	9615374701	9615374701
6	□ 2	Bushing						
7	□ 2	O-ring						
8	□ 2	O-ring						
9	1	Plug	9613414101	9613414101	9613414101	9613414101	9613414101	9613414101
12	1	Air fitting	9611991988	9611991988	9611991988	9611991988	9611991988	9611991988
64	1	Ground wire	9613464301	9613464301	9613464301	9613464301	9613464301	9613464301
116	1	Bolt	9611991686	9611991686	9611991686	9611991686	9611991686	9611991686
Sealing element								
20	1	Sealing element	9613127102	9613127102	9613127103	9613127104	9613127105	9613127106
21	◆ 2	O-ring, EPDM (standard)						
	2	O-ring, NBR						
	2	O-ring, FPM						
		O-ring, set (10 pcs.) EPDM	9614059422	9614059422	9614059425	9614059428	9614059431	9614059434
		O-ring, set (10 pcs.) HNBR	9614059423	9614059423	9614059426	9614059429	9614059432	9614059435
		O-ring, set (10 pcs.) FPM	9614059424	9614059424	9614059427	9614059430	9614059433	9614059436
24	1	Bearing						
25	◆ 1	Lip seal, EPDM (standard)						
	1	Lip seal, NBR						
	1	Lip seal, FPM	9613120503	9613120503	9613120503	9613120503	9613120503	9613120503
		Lip seal, set (10 pcs.) EPDM	9614059419	9614059419	9614059419	9614059419	9614059419	9614059419
		Lip seal, set (10 pcs.) HNBR	9614059420	9614059420	9614059420	9614059420	9614059420	9614059420
		Lip seal, set (10 pcs.) FPM	9614059421	9614059421	9614059421	9614059421	9614059421	9614059421
33	1	Lower bonnet						
Seat								
21	2	O-ring, EPDM (standard)						
	2	O-ring, NBR						
	2	O-ring, FPM						
		O-ring, set (10 pcs.) EPDM	9614059422	9614059422	9614059425	9614059428	9614059431	9614059434
		O-ring, set (10 pcs.) HNBR	9614059423	9614059423	9614059426	9614059429	9614059432	9614059435
		O-ring, set (10 pcs.) FPM	9614059424	9614059424	9614059427	9614059430	9614059433	9614059436
28	1	Seat	9613127501	9613127502	9613127503	9613127504	9613127505	9613127506
Clamp								
19	3	Clamp	9612939303	9612939303	9612939304	9612939305	9612939306	9612939307
Valve body								
26	2	Valve body, upper, 1 port ISO	9613139301	9613139303	9613139305	9613139307	9613139309	9613139311
	2	Valve body, upper, 1 port DIN	9613139401	9613139403	9613139405	9613139407	9613139409	9613139411
	2	Valve body, upper, 2 ports ISO ...	9613139302	9613139304	9613139306	9613139308	9613139310	9613139312
	2	Valve body, upper, 2 ports DIN ...	9613139402	9613139404	9613139406	9613139408	9613139410	9613139412
Valve plug								
23	1	Plug, shut off RA, ISO, complete, EPDM (standard)	9613127601	9613127602	9613127603	9613127604	9613127605	9613127606
	1	Plug, shut off RA, ISO, complete, HNBR	9613127613	9613127614	9613127615	9613127616	9613127617	9613127618
	1	Plug, shut off RA, ISO, complete, FPM	9613127625	9613127626	9613127627	9613127628	9613127629	9613127630
	1	Plug, shut off RA, DIN, complete, EPDM (standard)	9613127607	9613127608	9613127609	9613127610	9613127611	9613127612
	1	Plug, shut off RA, DIN, complete, HNBR	9613127619	9613127620	9613127621	9613127622	9613127623	9613127624
	1	Plug, shut off RA, DIN, complete, FPM	9613127631	9613127632	9613127633	9613127634	9613127635	9613127636
23.1	1	Plug, shut off RA, ISO	9613149801	9613139902	9613139903	9613139904	9613139905	9613139906
	1	Plug, shut off RA, DIN	9613149802	9613139908	9613139909	9613139910	9613139911	9613139912
23.2	◆ 1	Plug seal, EPDM, (standard)						
	1	Plug seal, HNBR						
	1	Plug seal, FPM						
		Plug seal, set (10 pcs.)EPDM	9614059401	9614059404	9614059407	9614059410	9614059413	9614059416
		Plug seal, set (10 pcs.)HNBR	9614059402	9614059405	9614059408	9614059411	9614059414	9614059417
		Plug seal, set (10 pcs.)FPM	9614059403	9614059406	9614059409	9614059412	9614059415	9614059418
Valve body with finish outside RA 0.8								
26	2	Valve body, upper, 1 port ISO	9613139313	9613139315	9613139317	9613139319	9613139321	9613139323
	2	Valve body, upper, 1 port DIN	9613139413	9613139415	9613139417	9613139419	9613139421	9613139423
	2	Valve body, upper, 2 ports ISO ...	9613139314	9613139316	9613139318	9613139320	9613139322	9613139324
	2	Valve body, upper, 2 ports DIN ...	9613139414	9613139416	9613139418	9613139420	9613139422	9613139424

Unique Single Seat Valve - ATEX - Reverse Acting - shut-off

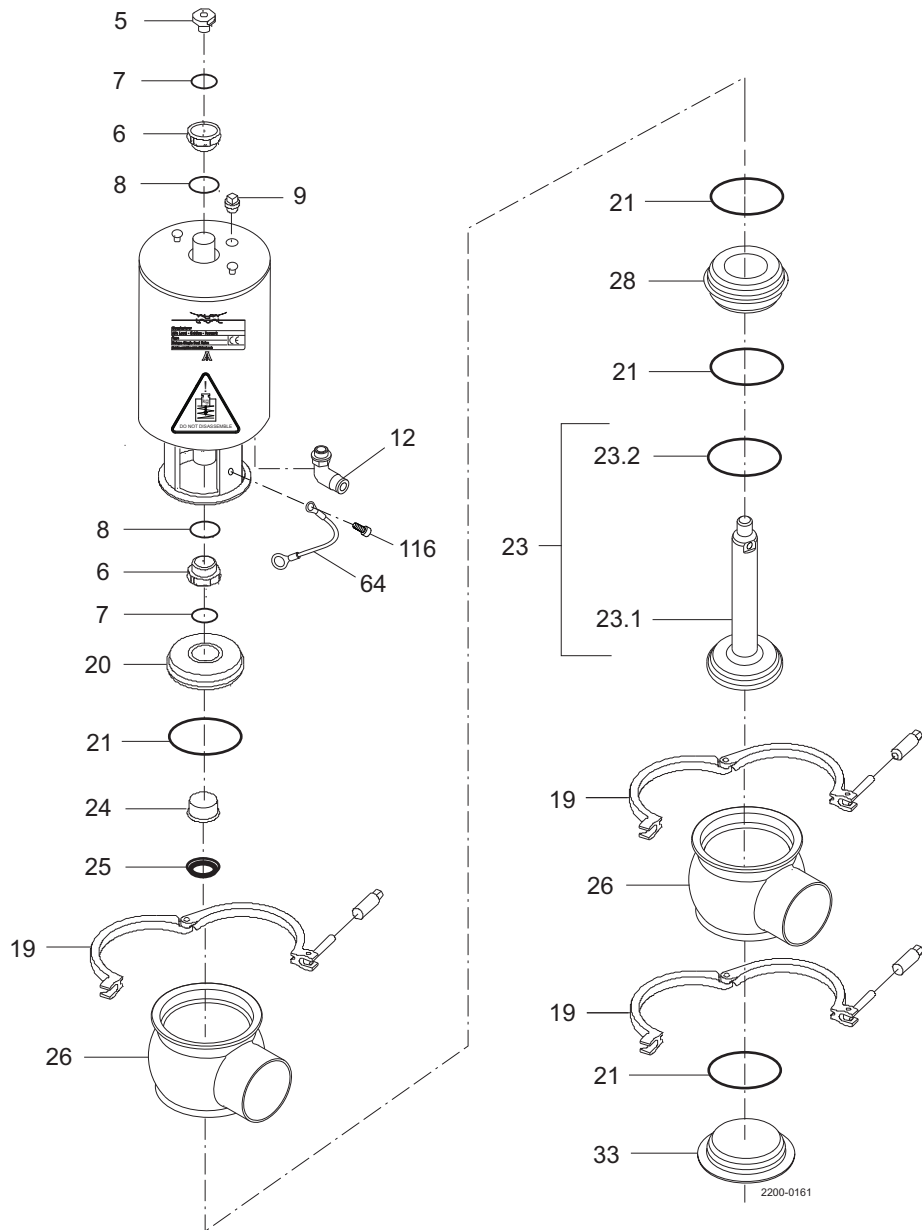
If the actuator is marked with a danger warning do **NOT** attempt to cut the actuator open.



Do **NOT** attempt to disassemble the actuator due to spring under load danger!



Do **NOT** attempt to cut the actuator open, due to spring under load danger!



Service kits

□	Service kit, actuator	9611926500	9611926500	9611926500	9611926500	9611926500	9611926500
◆	Service kit, EPDM	9611926525	9611926526	9611926527	9611926528	9611926529	9611926530
◆	Service kit, HNBR	9611926531	9611926532	9611926533	9611926534	9611926535	9611926536
◆	Service kit, FPM	9611926537	9611926538	9611926539	9611926540	9611926541	9611926542

Parts marked with □ are included in the service kits (actuator)

Parts marked with ◆ are included in the service kits (product wetted parts)

Tool for bushing (pos. 24) - item no: 9613160901

TD 900510/3

Unique Single Seat Valve - ATEX - Reverse Acting - change-over

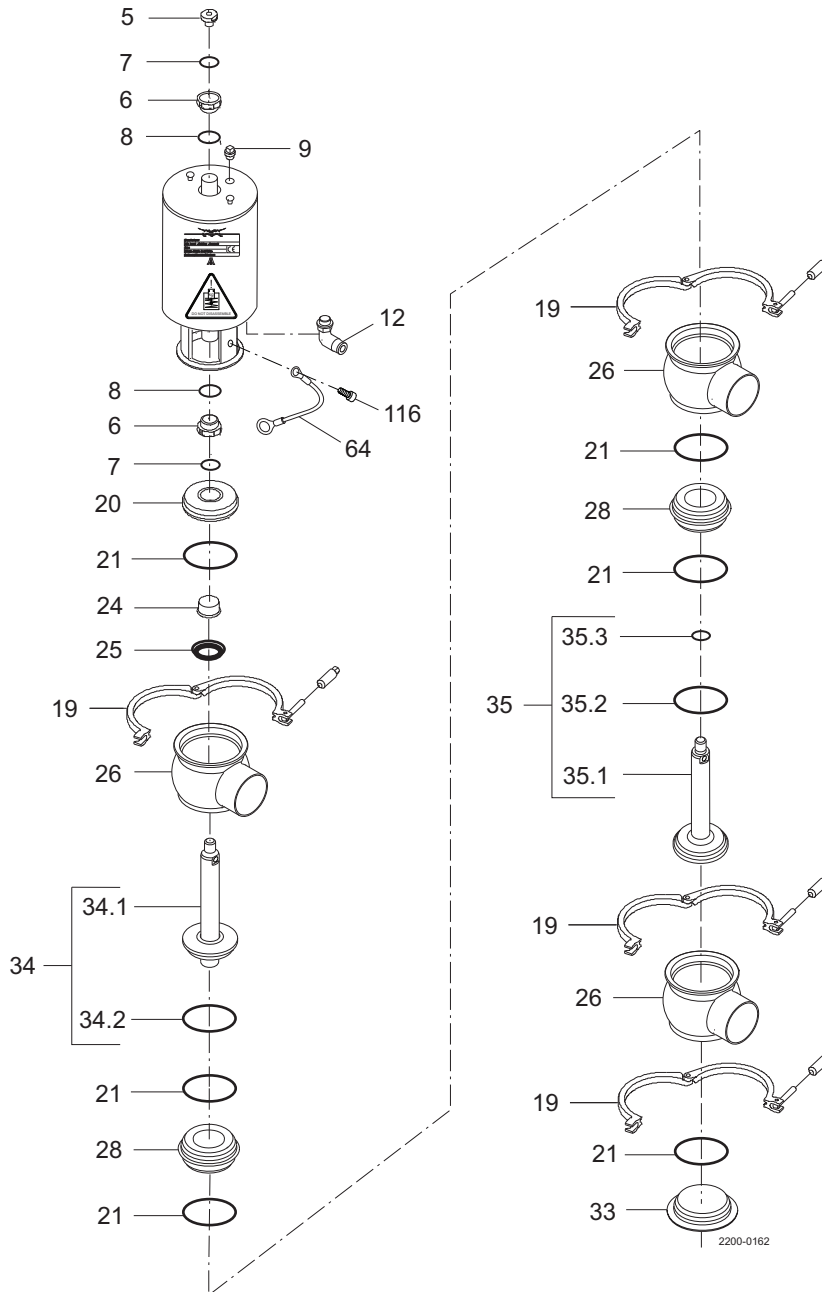
If the actuator is marked with a danger warning do **NOT** attempt to cut the actuator open.



Do **NOT** attempt to disassemble the actuator due to spring under load danger!



Do **NOT** attempt to cut the actuator open, due to spring under load danger!



Unique Single Seat Valve - ATEX - Reverse Acting - change-over

Pos	Qty	Denomination	DN 25 25 mm	DN 40 38 mm	DN 50 51 mm	DN 65 63.5 mm	DN 80 76.1 mm	DN 100 101.6 mm
		Actuator, complete (NO)	9613185601	9613185601	9613185602	9613185603	9613185604	9613185605
		Actuator, complete (NC)	9613185606	9613185606	9613185607	9613185608	9613185609	9613185610
		Actuator, complete (A/A)	9613185611	9613185611	9613185612	9613185613	9613185614	9613185615
5	1	Adapter, plastic (- 0115)						
	1	Adapter, steel (0115 - 0518)						
	1	Adapter, steel (0518 -)	9615374701	9615374701	9615374701	9615374701	9615374701	9615374701
6	□ 2	Bushing						
7	□ 2	O-ring						
8	□ 2	O-ring						
9	1	Plug	9613414101	9613414101	9613414101	9613414101	9613414101	9613414101
12	1	Air fitting	9611991988	9611991988	9611991988	9611991988	9611991988	9611991988
64	1	Ground wire	9613464301	9613464301	9613464301	9613464301	9613464301	9613464301
116	1	Bolt	9611991686	9611991686	9611991686	9611991686	9611991686	9611991686
Valve body part								
Sealing element								
20	1	Sealing element	9613127102	9613127102	9613127103	9613127104	9613127105	9613127106
24	1	Bearing	9613125001	9613125001	9613125001	9613125001	9613125001	9613125001
25	♦ 1	Lip seal, EPDM (standard)						
	1	Lip seal, NBR						
	1	Lip seal, FPM						
		Lip seal, set (10 pcs.) EPDM	9614059419	9614059419	9614059419	9614059419	9614059419	9614059419
		Lip seal, set (10 pcs.) HNBR	9614059420	9614059420	9614059420	9614059420	9614059420	9614059420
		Lip seal, set (10 pcs.) FPM	9614059421	9614059421	9614059421	9614059421	9614059421	9614059421
33	1	Lower bonnet	9613130102	9613130102	9613130103	9613130104	9613130105	9613130106
Seat								
21	♦ 4	O-ring, EPDM (standard)						
	4	O-ring, NBR	9611994286					
	4	O-ring, FPM						
		O-ring, set (10 pcs.) EPDM	9614059422	9614059422	9614059425	9614059428	9614059431	9614059434
		O-ring, set (10 pcs.) HNBR	9614059423	9614059423	9614059426	9614059429	9614059432	9614059435
		O-ring, , set (10 pcs.) FPM	9614059424	9614059424	9614059427	9614059430	9614059433	9614059436
28	2	Seat	9613127501	9613127502	9613127503	9613127504	9613127505	9613127506
Clamp								
19	4	Clamp	9612939303	9612939303	9612939304	9612939305	9612939306	9612939307
Valve body								
26	3	Valve body, upper, 1 port ISO	9613139301	9613139303	9613139305	9613139307	9613139309	9613139311
	3	Valve body, upper, 1 port DIN	9613139401	9613139403	9613139405	9613139407	9613139409	9613139411
	3	Valve body, upper, 2 ports ISO	9613139302	9613139304	9613139306	9613139308	9613139310	9613139312
	3	Valve body, , upper, 2 ports DIN .	9613139402	9613139404	9613139406	9613139408	9613139410	9613139412
Valve plug								
34	1	Plug, change over upper RA, ISO, complete, EPDM (standard)	9613162101	9613162102	9613162103	9613162104	9613162105	9613162106
	1	Plug, change over upper RA, ISO, complete, HNBR	9613162113	9613162114	9613162115	9613162116	9613162117	9613162118
	1	Plug, change over upper RA, ISO, complete, FPM	9613162125	9613162126	9613162127	9613162128	9613162129	9613162130
		Plug, change over upper RA, DIN, complete, EPDM (standard)	9613162107	9613162108	9613162109	9613162110	9613162111	9613162112
		Plug, change over upper RA, DIN, complete, HNBR	9613162119	9613162120	9613162121	9613162122	9613162123	9613162124
		Plug, change over upper RA , DIN, complete, FPM	9613162131	9613162132	9613162133	9613162134	9613162135	9613162136
34.1	1	Plug, change over upper RA, , ISO	9613150201	9613140102	9613140103	9613140104	9613140105	9613140106
	1	Plug, change over upper RA, DIN	9613150202	9613140108	9613140109	9613140110	9613140111	9613140112
34.2♦	1	Plug seal, EPDM (standard)						
	1	Plug seal, HNBR						
	1	Plug seal, FPM						
		Plug seal, set (10 pcs.) EPDM	9614059401	9614059404	9614059407	9614059410	9614059413	9614059416
		Plug seal, set (10 pcs.) HNBR ...	9614059402	9614059405	9614059408	9614059411	9614059414	9614059417
		Plug seal, set (10 pcs.) FPM	9614059403	9614059406	9614059409	9614059412	9614059415	9614059418

Unique Single Seat Valve - ATEX - Reverse Acting - change-over

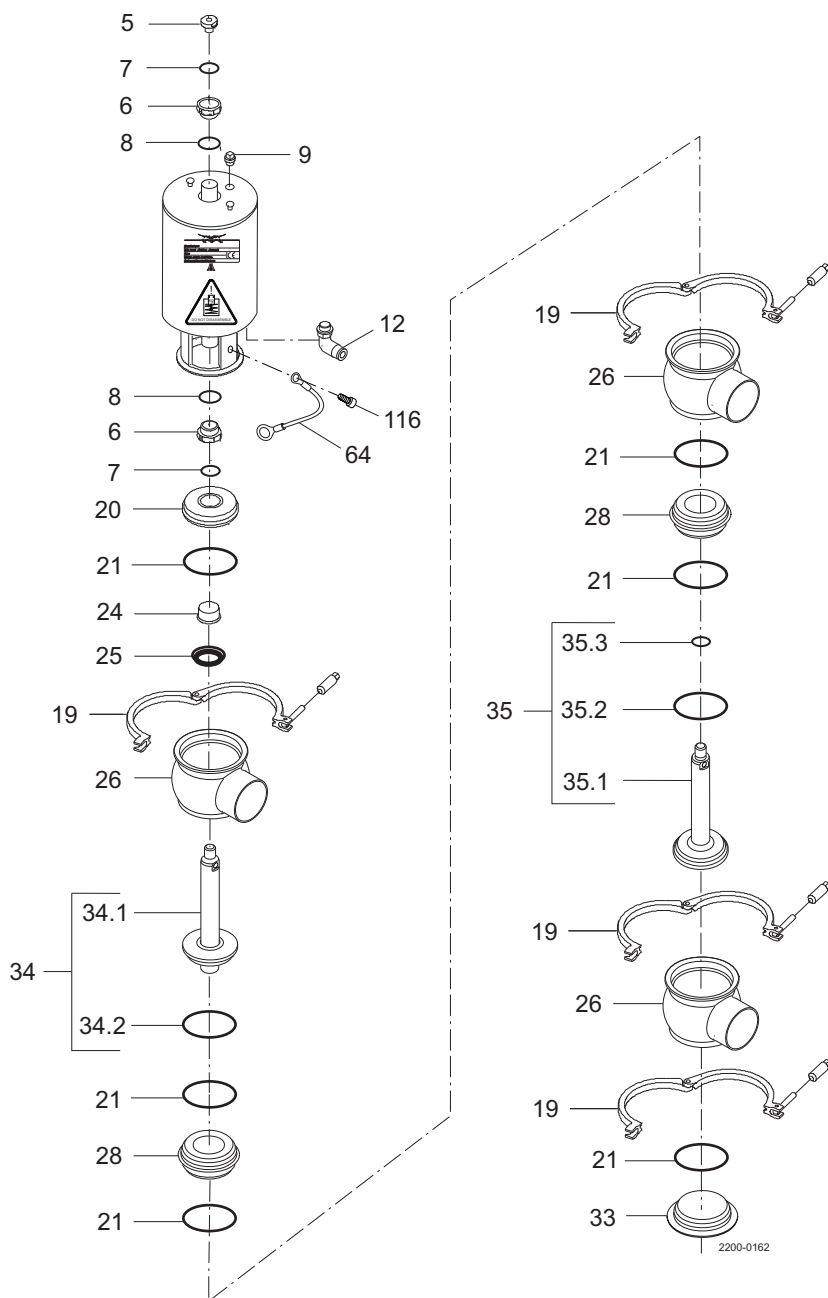
If the actuator is marked with a danger warning do **NOT** attempt to cut the actuator open.



Do **NOT** attempt to disassemble the actuator due to spring under load danger!



Do **NOT** attempt to cut the actuator open, due to spring under load danger!



Unique Single Seat Valve - ATEX - Reverse Acting - change-over

Pos	Qty	Denomination	DN 25	DN 40	DN 50	DN 65	DN 80	DN 100
			25 mm	38 mm	51 mm	63.5 mm	76.1 mm	101.6 mm
35	1	Plug, change over lower RA, ISO, complete, EPDM (standard)	9613162201	9613162202	9613162203	9613162204	9613162205	9613162206
	1	Plug, change over lower RA, ISO, complete, HNBR	9613162213	9613162214	9613162215	9613162216	9613162217	9613162218
	1	Plug, change over lower RA, ISO, complete, FPM	9613162225	9613162226	9613162227	9613162228	9613162229	9613162230
	1	Plug, change over lower RA, DIN, complete, EPDM (standard)	9613162207	9613162208	9613162209	9613162210	9613162211	9613162212
	1	Plug, change over lower RA, DIN, complete, HNBR	9613162219	9613162220	9613162221	9613162222	9613162223	9613162224
	1	Plug, change over lower RA, DIN, complete, FPM	9613162231	9613162232	9613162233	9613162234	9613162235	9613162236
35.1	1	Plug, change over lower RA, ISO	9613150501	9613164601	9613164701	9613164702	9613164703	9613164704
	1	Plug, change over lower RA, DIN	9613150502	9613164602	9613164705	9613164706	9613164707	9613164708
35.2♦	1	Plug seal, EPDM (standard)						
	1	Plug seal, HNBR						
	1	Plug seal, FPM						
	1	Plug seal, set (10 pcs.) , EPDM	9614059401	9614059404	9614059407	9614059410	9614059413	9614059416
	1	Plug seal, set (10 pcs.) , HNBR	9614059402	9614059405	9614059408	9614059411	9614059414	9614059417
	1	Plug seal, set (10 pcs.) , FPM	9614059403	9614059406	9614059409	9614059412	9614059415	9614059418
35.3♦	1	O-ring, EPDM (standard) ...						
	1	O-ring, HNBR						
	1	O-ring, FPM						
	1	O-ring set (10 pcs.) , EPDM .	9614059442	9614059443	9614059443	9614059443	9614059443	9614059443
	1	O-ring set (10 pcs.) , HNBR	9614059444	9614059445	9614059445	9614059445	9614059445	9614059445
	1	O-ring set (10 pcs.) , FPM ...	9614059446	9614059447	9614059447	9614059447	9614059447	9614059447
Valve body with finish outside RA 0.8								
26	3	Valve body, upper, 1 port ISO	9613139313	9613139315	9613139317	9613139319	9613139321	9613139323
	3	Valve body, upper, 1 port DIN	9613139413	9613139415	9613139417	9613139419	9613139421	9613139423
	3	Valve body, upper, 2 ports ISO	9613139314	9613139316	9613139318	9613139320	9613139322	9613139324
	3	Valve body, upper, 2 ports DIN	9613139414	9613139416	9613139418	9613139420	9613139422	9613139424
			DN 25	DN 40	DN 50	DN 65	DN 80	DN 100
			25 mm	38 mm	51 mm	63.5 mm	76.1 mm	101.6 mm

Service kits

□	Service kit, Actuator	9611926500	9611926500	9611926500	9611926500	9611926500	9611926500	9611926500
♦	Service kit, EPDM	9611926597	9611926598	9611926599	9611926600	9611926601	9611926602	9611926602
♦	Service kit, HNBR	9611926603	9611926604	9611926605	9611926606	9611926607	9611926608	9611926608
♦	Service kit, FPM	9611926609	9611926610	9611926611	9611926612	9611926613	9611926614	9611926614

Parts marked with □ are included in the service kits (actuator)

Parts marked with ♦ are included in the service kits (product wetted parts)

Tool for bushing (pos. 24) - item no: 9613160901

Unique Single Seat Valve - Actuator for ATEX - shut off (- 0616)

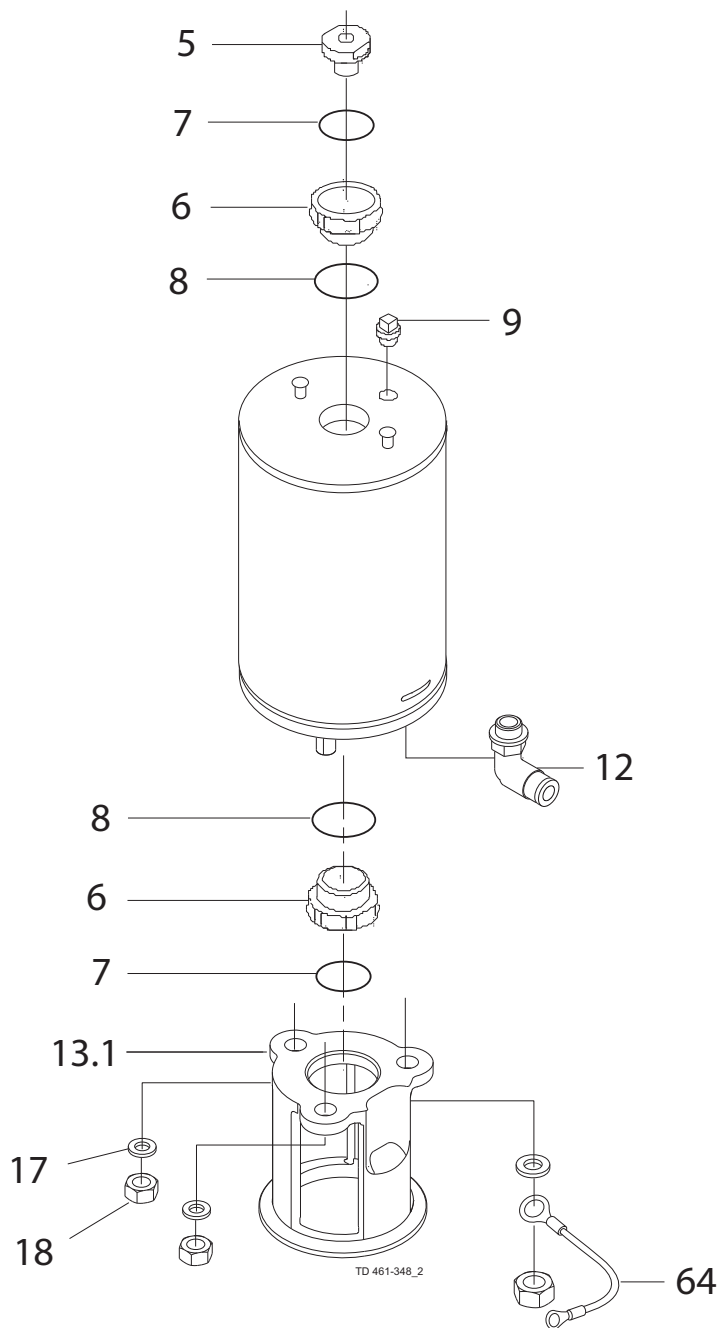
If the actuator is marked with a danger warning do **NOT** attempt to cut the actuator open.



Do **NOT** attempt to disassemble the actuator due to spring under load danger!



Do **NOT** attempt to cut the actuator open, due to spring under load danger!



Unique Single Seat Valve - Actuator for ATEX - shut off (- 0616)

Pos	Qty	Denomination	DN 25	DN 40	DN 50	DN 65	DN 80	DN 100
			25 mm	38 mm	51 mm	63.5 mm	76.1 mm	101.6 mm
Actuator								
		Actuator, complete (NO)						
		Actuator, complete (NC)						
		Actuator, complete (A/A)						
5	1	Adapter, plastic (- 0115)						
	1	Adapter, steel (0115 - 0518)						
	1	Adapter, steel (0518 -)	9615374701	9615374701	9615374701	9615374701	9615374701	9615374701
6	□	2 Bushing						
7	□	2 O-ring						
8	□	2 O-ring						
9	1	Plug	9613414101	9613414101	9613414101	9613414101	9613414101	9613414101
12	1	Air fitting	9611991988	9611991988	9611991988	9611991988	9611991988	9611991988
13.1	1	Yoke , (outphased)						
15	1	Bottom , (outphased)						
17	3	Washer , (outphased)						
18	3	Nut , (outphased)						
64	1	Ground wire	9613464301	9613464301	9613464301	9613464301	9613464301	9613464301
116	1	Bolt	9611991686	9611991686	9611991686	9611991686	9611991686	9611991686
			DN 25	DN 40	DN 50	DN 65	DN 80	DN 100
			25 mm	38 mm	51 mm	63.5 mm	76.1 mm	101.6 mm

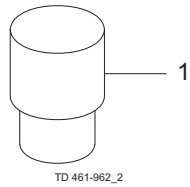
Service kits

□	Service kit, actuator	9611926500	9611926500	9611926500	9611926500	9611926500	9611926500
---	------------------------------------	-------------------	-------------------	-------------------	-------------------	-------------------	-------------------

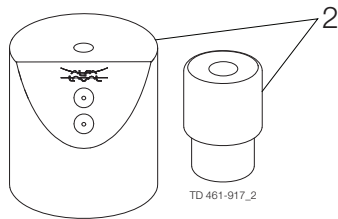
Parts marked with □ are included in the service kits (actuator)

Tool for bushing (pos. 24) - item no: 9613160901

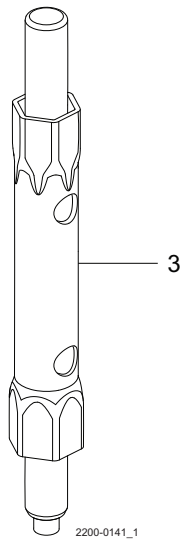
TD 900510/3



TD 461-962_2



TD 461-917_2



2200-0141_1

Unique Single Seat Valve - ATEX - mounting tools

Pos	Qty	Denomination	DN 25-100 25-101.6 mm
-----	-----	--------------	--------------------------

1	1	Tools for bushing (pos. 24)	9613160901
---	---	-----------------------------------	------------

TD 900-518

Pos	Qty	Denomination	DN 25 25 mm	DN 40 38 mm	DN 50 51 mm	DN 65 63.5 mm	DN 80 76.1 mm	DN 100 101.6 mm
-----	-----	--------------	----------------	----------------	----------------	------------------	------------------	--------------------

2	1	Mounting tool for elastomer plug seals	Not available	9613172901	9613172902	9613172902	9613172903	9613172903
---	---	--	---------------	------------	------------	------------	------------	------------

TD900-520

Pos	Qty	Denomination	DN 25-100 25-101.6 mm
-----	-----	--------------	--------------------------

3	1	Tool for actuator bushing (pos. 6)	9614198401
---	---	------------------------------------	------------

TD 900-701

How to contact Alfa Laval

Contact details for all countries are continually updated on our website.

Please visit www.alfalaval.com to access the information directly.

© Alfa Laval Corporate AB

This document and its contents is owned by Alfa Laval Corporate AB and protected by laws governing intellectual property and thereto related rights. It is the responsibility of the user of this document to comply with all applicable intellectual property laws. Without limiting any rights related to this document, no part of this document may be copied, reproduced or transmitted in any form or by any means (electronic, mechanical, photocopying, recording, or otherwise), or for any purpose, without the expressed permission of Alfa Laval Corporate AB. Alfa Laval Corporate AB will enforce its rights related to this document to the fullest extent of the law, including the seeking of criminal prosecution.