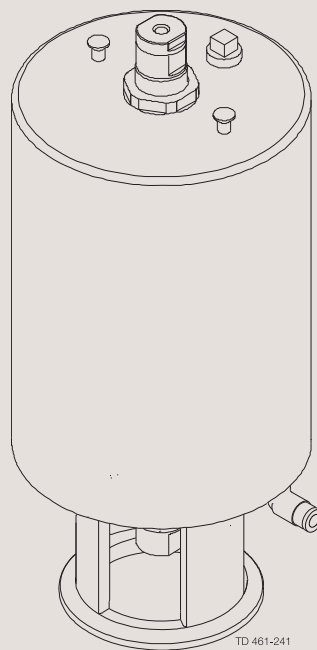




Spare Parts

Unique Single Seat Valve - maintainable actuator



ESE00533-EN9 2018-11

Original manual

Table of contents

The information herein is correct at the time of issue but may be subject to change without prior notice

1. Important information	4
2. Unique Single Seat Valve - maintainable actuator 25-101.6 mm/DN25-100	6
3. Unique Single Seat Valve - low pressure maintainable actuator 25-101.6 mm/DN25-100	8
4. Unique Single Seat Valve - high pressure maintainable/non maintainable actuator 25-101.6 mm/DN25-100	10
5. Mounting tool	12

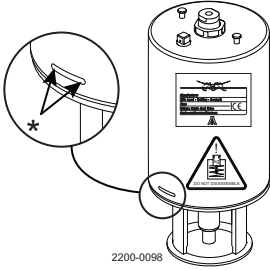
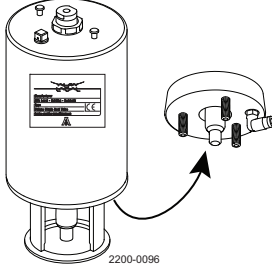

1 Important information

Different actuator types for the SSV valve

In June 2016 the below change was implemented and the “removable yoke with bolts” version is thereby phased out and replaced by the “yoke without bolts” version.

NOTE

It is important to check for warnings marked on the actuator when servicing an actuator- see below table.

Actuator type	Non-maintable actuator Spring under load and can NOT be opened  2200-0098 *) Lock wire opening is locked, when warning is marked on actuator	Fully maintainable actuator Spring cage and can be opened  2200-0096	Fully maintainable actuator Spring cage and can be opened  2200-0097
Yoke type	Non-removable yoke	“Removable yoke with bolts”. If the yoke with bolts is damaged it has to be replaced by the “yoke without bolts”.	“Yoke without bolts”
Service	Not possible to service internally (it is not possible to change piston o-rings)	Yes	Yes
Marked with warnings	Yes	No	No
Year of production	From 2006	From 2006 - June 2016	From June 2016

Unique Single Seat Valve - maintainable actuator 25-101.6 mm/DN25-100

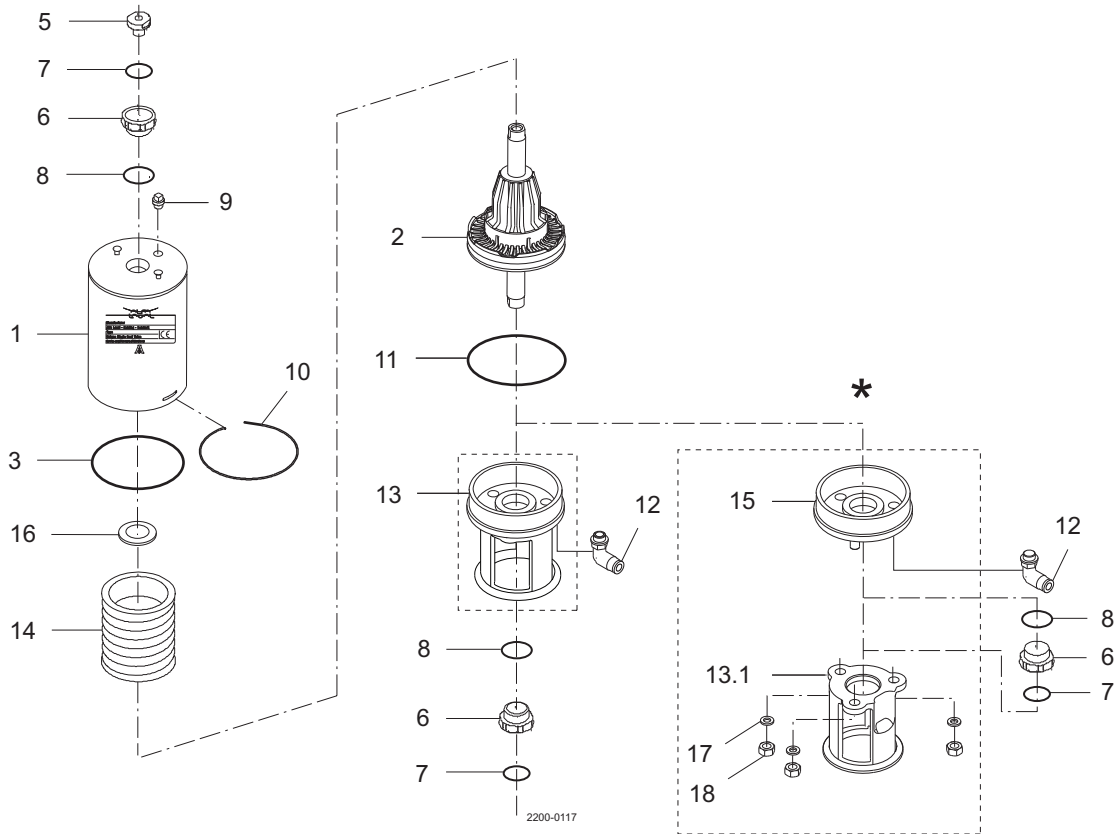
If the actuator is marked with a danger warning do **NOT** attempt to cut the actuator open.



Do **NOT** attempt to disassemble the actuator due to spring under load danger!



Do **NOT** attempt to cut the actuator open, due to spring under load danger!



*) "Removable yoke with bolts" version, produced from 2006 to June 2016.
Replaced by "yoke without bolts" (13)

Unique Single Seat Valve - maintainable actuator 25-101.6 mm/DN25-100

Pos	Qty	Denomination	DN 25 25 mm	DN 40 38 mm	DN 50 51 mm	DN 65 63.5 mm	DN 80 76.1 mm	DN 100 101.6 mm
		Actuator, complete (NO)	9613185301	9613185301	9613185302	9613185303	9613185304	9613185305
		Actuator, complete (NC)	9613185306	9613185306	9613185307	9613185308	9613185309	9613185310
		Actuator, complete (A/A)	9613185311	9613185311	9613185312	9613185313	9613185314	9613185315
1	1	Cylinder, (blasted)	9613142511	9613142511	9613142512	9613142512	9613142513	9613142513
	1	Cylinder, (polished)	9613142514	9613142514	9613142515	9613142515	9613142516	9613142516
2	1	Piston	9613132201	9613132201	9613132301	9613132301	9613132401	9613132401
3	□♦	O-ring						
5	1	Adapter, plastic (- 0115)						
	1	Adapter, steel (0115 - 0518)						
	1	Adapter, steel (0518 -)	9615374701	9615374701	9615374701	9615374701	9615374701	9615374701
6	□♦	2 Bushing						
7	□♦	2 O-ring						
8	□♦	2 O-ring						
9	1	Plug	9613414101	9613414101	9613414101	9613414101	9613414101	9613414101
10	1	Lock wire	9613143201	9613143201	9613143202	9613143202	9613143203	9613143203
11	□♦	O-ring						
12	1(2)	Air fitting (only 2 for A/A)	9611991988	9611991988	9611991988	9611991988	9611991988	9611991988
13	1	Yoke without bolts, (0616 ->)	9613154301	9613154301	9613154402	9613154502	9613154603	9613154703
14	1	Spring assembly	9613132501	9613132501	9613132502	9613132502	9613132503	9613132503
16	□♦	1(2) Support disc (only 2 for A/A)						

Removable yoke with bolts (obsolete) - use position 13

13.1	1	Yoke (-> 0616)						
15	1	Bottom (-> 0616)						
17	3	Washer (-> 0616)						
18	3	Nut (-> 0616)						

			DN 25 25 mm	DN 40 38 mm	DN 50 51 mm	DN 65 63.5 mm	DN 80 76.1 mm	DN 100 101.6 mm
--	--	--	----------------	----------------	----------------	------------------	------------------	--------------------

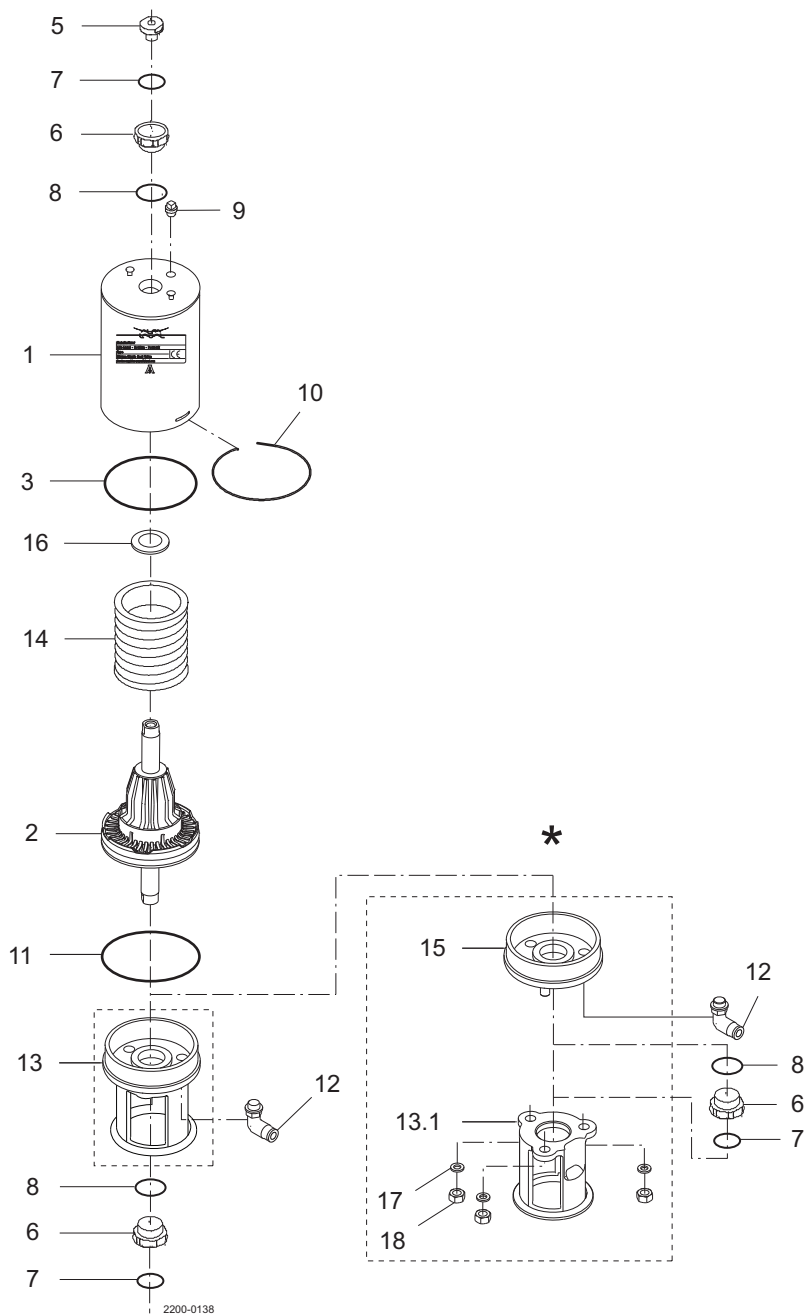
Service kits

□	Service kit, NO , NC	9611926497	9611926497	9611926498	9611926498	9611926499	9611926499
♦	Service kit, A/A	9611926519	9611926519	9611926520	9611926520	9611926521	9611926521

Parts marked with □♦ are included in the service kits.

Recommended spare parts: Service kits.

TD900361/3



*) "Removable yoke with bolts" version, produced from 2006-June 2016.
 Replaced by "yoke without bolts" (13)

Unique Single Seat Valve - low pressure maintainable actuator 25-101.6 mm/DN25-100

Pos	Qty	Denomination	DN 25	DN 40	DN 50	DN 65	DN 80	DN 100
			25 mm	38 mm	51 mm	63.5 mm	76.1 mm	101.6 mm
		Actuator, complete, (NO)	9613185361	9613185361	9613185362	9613185363	9613185364	9613185365
		Actuator, complete, (NC)	9613185366	9613185366	9613185367	9613185368	9613185369	9613185370
1	1	Cylinder, (blasted)	9613142511	9613142511	9613142512	9613142512	9613142513	9613142513
	1	Cylinder, (polished)	9613142514	9613142514	9613142515	9613142515	9613142516	9613142516
2	1	Piston	9613132201	9613132201	9613132301	9613132301	9613132401	9613132401
3	□	O-ring						
5	1	Adapter, plastic (- 0115)						
	1	Adapter, steel (0115 -)	9614065301	9614065301	9614065301	9614065301	9614065301	9614065301
	1	Adapter, steel (0518 -)	9615374701	9615374701	9615374701	9615374701	9615374701	9615374701
6	□	Bushing						
7	□	O-ring						
8	□	O-ring						
9	1	Plug	9613414101	9613414101	9613414101	9613414101	9613414101	9613414101
10	1	Lock wire	9613143201	9613143201	9613143202	9613143202	9613143203	9613143203
11	□	O-ring						
12	1	Air fitting	9611991988	9611991988	9611991988	9611991988	9611991988	9611991988
13	1	Yoke	9613154301	9613154301	9613154402	9615245601	9613154603	9613154703
14	1	Spring assembly	9613132504	9613132504	9613132505	9613132505	9613132506	9613132506
16	□	Support disc						

Removeable yoke with bolts (obsolete) - use pos. 13

13,1	1	Yoke (-> 0616)						
15	1	Bottom (-> 0616)						
17	3	Washer (-> 0616)						
18	3	Nut (-> 0616)						

			DN 25	DN 40	DN 50	DN 65	DN 80	DN 100
			25 mm	38 mm	51 mm	63.5 mm	76.1 mm	101.6 mm

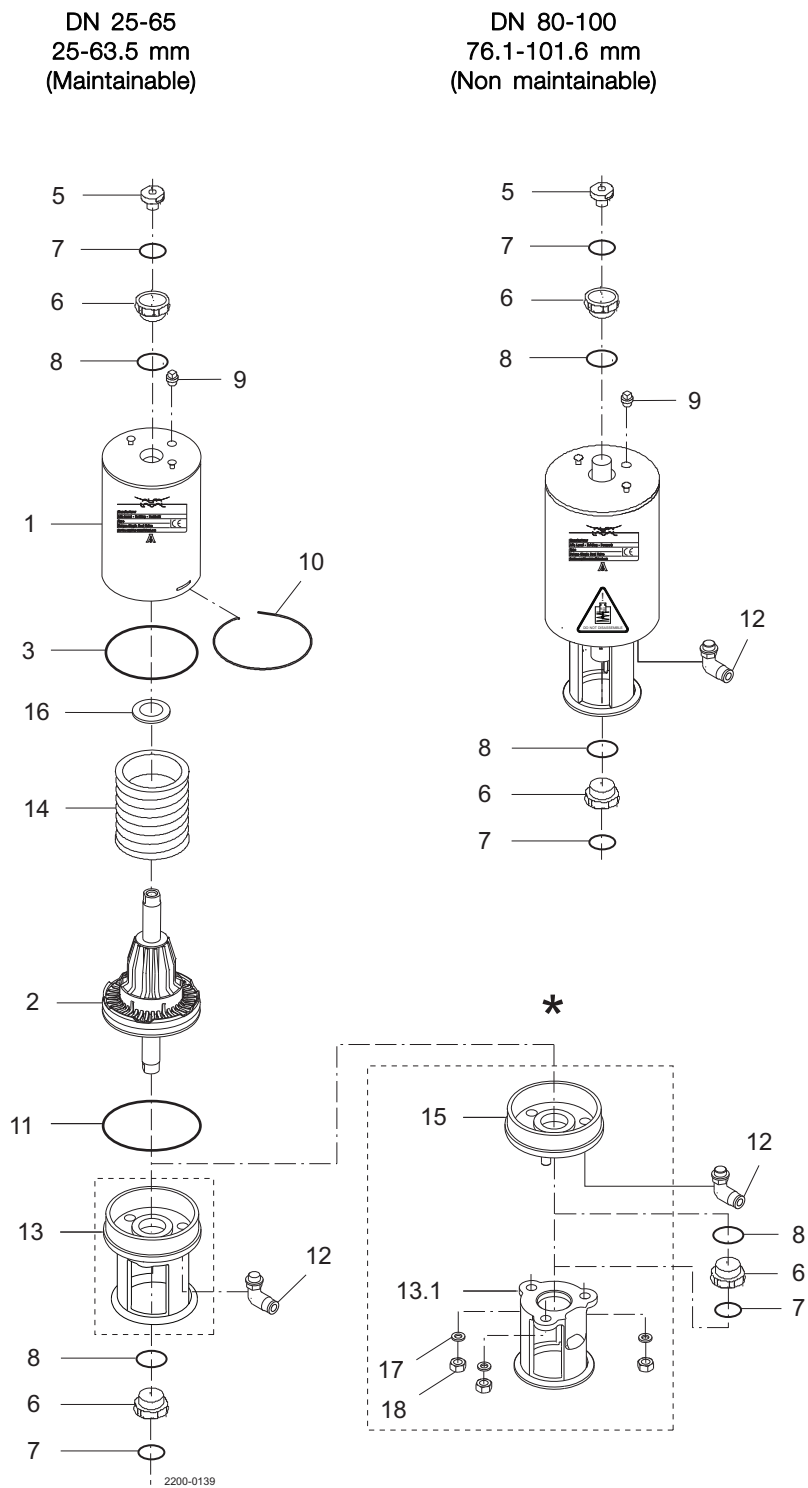
Service kits

□	Service kit, NO , NC	9611926497	9611926497	9611926498	9611926499	9611926499	9611926499	9611926499
---	----------------------------	------------	------------	------------	------------	------------	------------	------------

Parts marked with □ are included in the service kits

Recommended spare parts: Service kits.

TD900476/2



*) "Removable yoke with bolts" version, produced from 2006-June 2016.
Replaced by "yoke without bolts" (13)

Unique Single Seat Valve - high pressure maintainable/non maintainable actuator 25-101.6 mm/DN25-100

Pos	Qty	Denomination	DN 25	DN 40	DN 50	DN 65	DN 80	DN 100
			25 mm (Maintainable)	38 mm (Maintainable)	51 mm (Maintainable)	63.5 mm (Maintainable)	76.1 mm (Non maintainable)	101.6 mm (Non maintainable)
		Actuator, complete (NO)	9613185501	9613185501	9613185502	9613185503	N/A	N/A
		Actuator, complete (NC)	9613185504	9613185504	9613185505	9613185506	9613154863	9613154861
		Actuator, complete (A/A)	9613185507	9613185507	9613185508	9613185509	N/A	N/A
1	1	Cylinder	9613142512	9613142512	9613142513	9613142513		
2	1	Piston	9613132301	9613132301	9613132401	9613132401		
3	1	□♦ O-ring						
5	1	Adapter, plastic (- 0115)						
	1	Adapter, steel (0115 -)	9614065301	9614065301	9614065301	9614065301	9614065301	9614065301
	1	Adapter, steel (0518 -)	9615374701	9615374701	9615374701	9615374701	9615374701	9615374701
6	2	□♦○ Bushing						
7	2	□♦○ O-ring						
8	2	□♦○ O-ring						
9	1	Plug	9613414101	9613414101	9613414101	9613414101	9613414101	9613414101
10	1	Lock wire	9613143202	9613143202	9613143203	9613143203		
11	1	□♦ O-ring						
12	1(2)	Air fitting (only 2 for A/A)	9611991988	9611991988	9611991988	9611991988	9611991988	9611991988
13	1	Yoke	9615245401	9615245401	9615245501	9615245601		
14	1	Spring assembly	9613132502	9613132502	9613132503	9613132503		
16	1(2)	□♦ Support disc (only 2 for A/A)						

Removeable yoke with bolts (obsolete) - use position 13

13.1	1	Yoke (-> 0616)						
15	1	Bottom (-> 0616)						
17	3	Washer (-> 0616)						
18	3	Nut (->0616)						

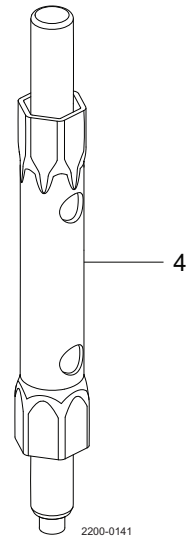
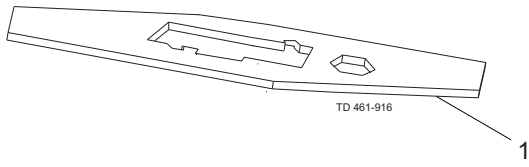
Pos	Qty	Denomination	DN 25	DN 40	DN 50	DN 65	DN 80	DN 100
			25 mm (Maintainable)	38 mm (Maintainable)	51 mm (Maintainable)	63.5 mm (Maintainable)	76.1 mm (Non maintainable)	101.6 mm (Non maintainable)

Service kits

□	Service kit, NO , NC	9611926498	9611926498	9611926499	9611926499			
♦	Service kit, A/A	9611926520	9611926520	9611926521	9611926521			
○	Service kit, NC					9611926500	9611926500	

Parts marked with □♦○ are included in the service kits
 Recommended spare parts: Service kits.

TD 900477/2



Mounting tool

Pos	Qty	Denomination	DN 25-65	DN 80-150
			25-63.5 mm	76.1-101.6 mm
1	1	Service tool only for maintainable actuator	3135302191	9612454001

TD 900-512

Pos	Qty	Denomination	DN 25-100
			25-101.6 mm
4	1	Tool for actuator bushing (pos. 6)	9614198401

TD 900-701

How to contact Alfa Laval

Contact details for all countries are continually updated on our website.

Please visit www.alfalaval.com to access the information directly.

© Alfa Laval Corporate AB

This document and its contents is owned by Alfa Laval Corporate AB and protected by laws governing intellectual property and thereto related rights. It is the responsibility of the user of this document to comply with all applicable intellectual property laws. Without limiting any rights related to this document, no part of this document may be copied, reproduced or transmitted in any form or by any means (electronic, mechanical, photocopying, recording, or otherwise), or for any purpose, without the expressed permission of Alfa Laval Corporate AB. Alfa Laval Corporate AB will enforce its rights related to this document to the fullest extent of the law, including the seeking of criminal prosecution.